

LED SPEC-SELECT™ WRAP A-ROUND

INSTALL INSTRUCTIONS

PLEASE FIND A QUALIFIED ELECTRICIAN FOR INSTALLATION. Please read the instructions before you install and use the luminaire.

WARNING, CAUTIONS AND OPERATING INSTRUCTIONS

- To reduce the risk of death, personal injury or property damage from fire, electric shock, falling parts, cuts/abrasions, and other hazards read all warnings and instructions included with and on the fixture box and all fixture labels.
- Before installing, servicing, or performing routine maintenance upon this equipment, follow these general precautions.
- Commercial installation, service and maintenance of luminaires should be performed by a qualified licensed electrician.
- For the installation: If you are unsure about the installation or maintenance of the luminaires, consult a qualified licensed electrician and check your local electrical code.
- To prevent wiring damage or abrasion, do not expose wiring to edges of sheet metal or other sharp objects.
- Do not make or alter any open holes in an enclosure of wiring or electrical components during kit installation.

WARNING: RISK OF FIRE OR ELECTRICAL SHOCK

- Turn off electrical power at fuse or circuit breaker box before wiring fixture to the power supply.
- Turn off the power when you perform any maintenance.
- Verify that supply voltage is correct by comparing it with the luminaire label information.
- All wiring connections should be capped with UL approved wire connectors.

CAUTION: RISK OF INJURY

- Avoid direct eye exposure to the un-louvered light source while it is on.
- Account for small parts and destroy packing material, as these may be hazardous to children.
- Risk of burn. Disconnect power and allow fixture to cool before changing bulb or handling fixture.
- Green ground screw provided in proper location. DO NOT RELOCATE.
- Minimum 90° supply conductors.
- Suitable for Dry or Damp locations.

! WARNING DISCONNECT POWER BEFORE INSTALLING OR SERVICING.

SURFACE MOUNTING

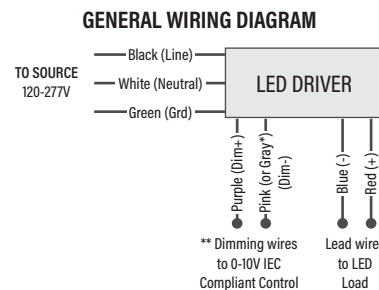
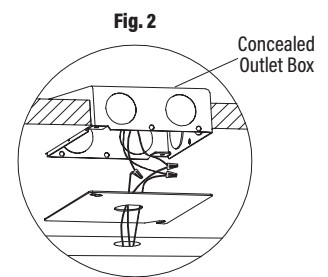
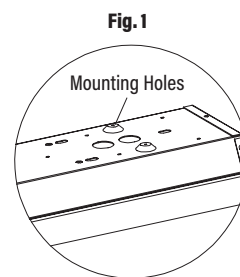
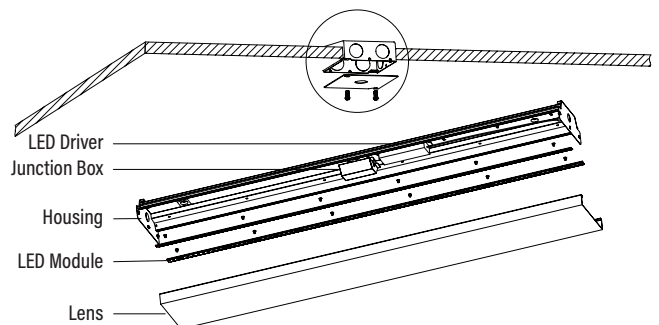
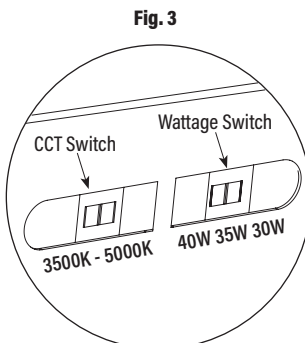
1. Remove the fixture from packaging.
2. Remove lens by pulling from one side of the fixture and hinge on the other.
3. For mounting, use the provided mounting holes on each end of the fixture housing. (Fig. 1)
4. Make electrical connections according to the general wiring diagram and local electrical codes. (Fig. 2)
5. Install junction box cover.
6. Install lens on one side of the fixture and push up to engage the opposite side.

FIELD ADJUSTABLE WATTAGE & CCT

The end users may adjust the color temperature and lumen output, respectively, by the two slide switches integrated into the side of the fixture. Each switch has 3 options (left, middle and right), each position corresponds to 1 of 3 color temperatures (Warm White, Cool White, and Sky-Brite®) and 1 of 3 wattages, which can be adjusted to the desired combination.

Default Settings: 40W, 5000K

1. Switches are located on the side of the fixture. (Fig. 3)
2. Select a wattage and color temperature by sliding switch left or right respectively to the desired value. (Fig. 3)



**Per NEMA rule-change, gray-color dimming control wires will be changing to pink as new productions come in.*

LED SPEC-SELECT™ WRAP A-ROUND

INSTALL INSTRUCTIONS

! WARNING DISCONNECT POWER BEFORE INSTALLING OR SERVICING.

CHAIN MOUNTING WITH V-HOOK (Sold Separately):

1. Remove the fixture from packaging.
2. Remove lens by pulling from one side of the fixture and hinge on the other.
3. For mounting, use the provided mounting holes on each end of the fixture housing and attach customer supplied V-hooks to fixture. Attach customer supplied chain to the V-hooks and mounting surface (Fig. 4)
4. Make electrical connections according to the General Wiring Diagram and local electrical codes.
5. Install junction box cover.
6. Install lens on one side of the fixture and rotate to engage the opposite side.

CABLE MOUNTING (Sold Separately):

1. Mount cable to the luminaire. Wrap one end of cable to the beam, then insert into the hasp, adjust the cable to the desired height. (Fig. 5)
2. Make electrical connections according to the General Wiring Diagram and local electrical codes.

Fig. 4

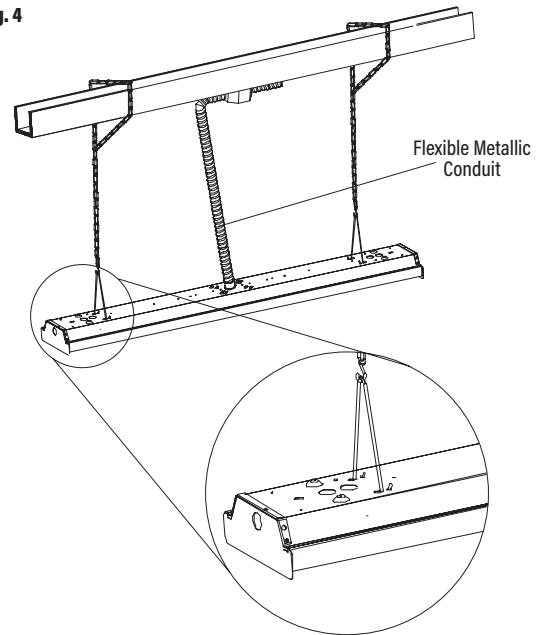


Fig. 5

