

* Also includes pairing non-wired, non-shunted sockets.

Item#: **52745**
WIRING HARNESS FOR 2 SINGLE-END DIRECT WIRE LED TUBES
ACCESSORY

APPLICATION

Non-shunted wiring harness for retrofitting 2 lamps fluorescent fixtures to LED Ready for single-end direct wire tubes.

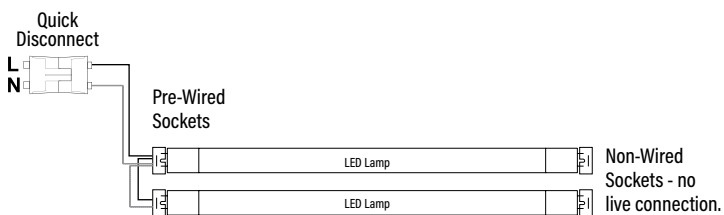
PACKAGING		UPC	DIMENSIONS (LxWxH)	GROSS WEIGHT (Lbs)
Master Carton	100	10811768021445	--	--
Individual Item	1	811768021448		
Country of Origin	China			
HS Tariff	9405.99.4090			

ORDERING

ITEM#	DESCRIPTION	CASE
52745	WIRING HARNESS FOR (2) LED T8 TUBES (2) PRE-WIRED NON-SHUNTED AND (2) NON-WIRED SOCKETS WITH QUICK DISCONNECT	100

GENERAL WIRING DIAGRAM - Follow lamp installation for specific wiring instructions.

⚠ WARNING - Disconnect power before installing or servicing.

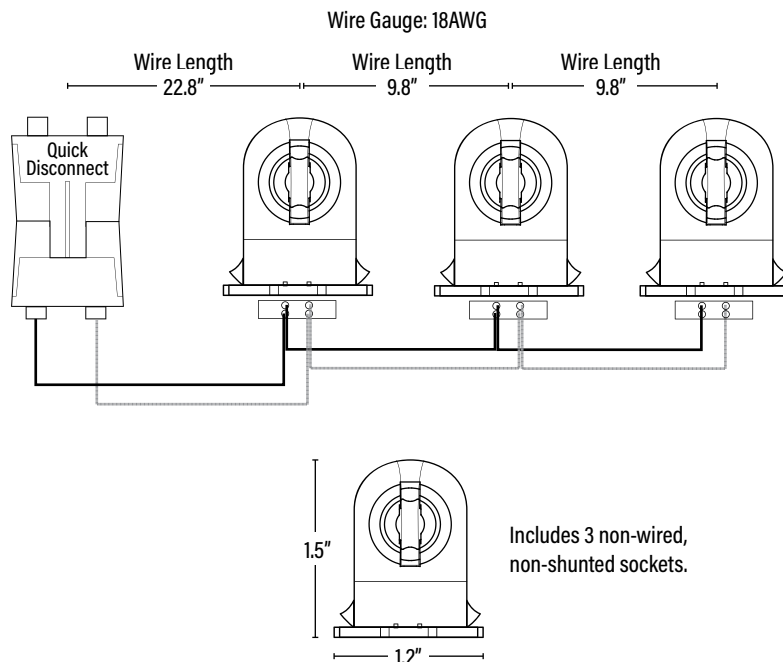




Item#: **62745**
WIRING HARNESS FOR 3 SINGLE-END DIRECT WIRE LED TUBES
 ACCESSORY

APPLICATION

Non-shunted wiring harness for retrofitting 3 lamps fluorescent fixtures to LED Ready for single-end direct wire tubes.



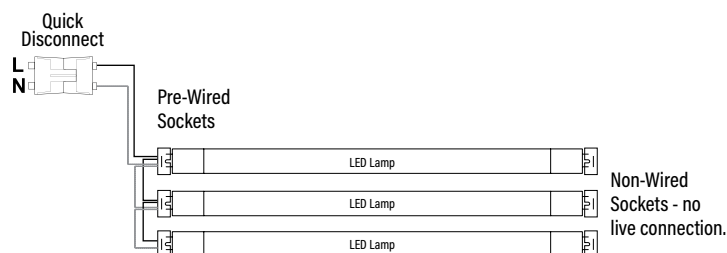
PACKAGING		UPC	DIMENSIONS (LxWxH)	GROSS WEIGHT (Lbs)
Master Carton	100	10811768024798	--	--
Individual Item	1	811768024593		
Country of Origin	China			
HS Tariff	9405.99.4090			

ORDERING

ITEM#	DESCRIPTION	CASE
62745	WIRING HARNESS FOR (3) LED T8 TUBES (3) PRE-WIRED NON-SHUNTED AND (3) NON-WIRED SOCKETS WITH QUICK DISCONNECT	100

GENERAL WIRING DIAGRAM - Follow lamp installation for specific wiring instructions.

! WARNING - Disconnect power before installing or servicing.

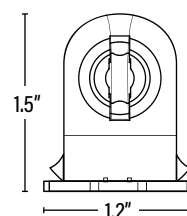
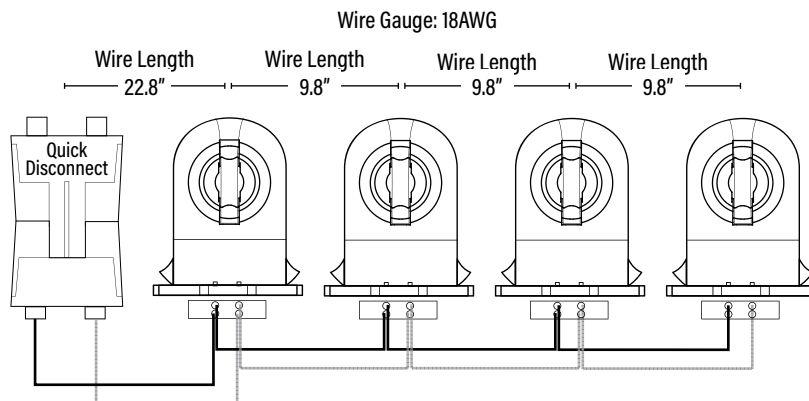




Item#: **72745**
WIRING HARNESS FOR 4 SINGLE-END DIRECT WIRE LED TUBES
 ACCESSORY

APPLICATION

Non-shunted wiring harness for retrofitting 4 lamps fluorescent fixtures to LED Ready for single-end direct wire tubes.



* Also Includes pairing non-wired, non-shunted sockets.

PACKAGING		UPC	DIMENSIONS (LxWxH)	GROSS WEIGHT (Lbs)
Master Carton	100	10811768025009	--	--
Individual Item	1	811768025002		
Country of Origin	China			
HS Tariff	9405.99.4090			

ORDERING

ITEM#	DESCRIPTION	CASE
72745	WIRING HARNESS FOR (4) LED T8 TUBES (4) PRE-WIRED NON-SHUNTED AND (4) NON-WIRED SOCKETS WITH QUICK DISCONNECT	100

GENERAL WIRING DIAGRAM - Follow lamp installation for specific wiring instructions.

! WARNING - Disconnect power before installing or servicing.

