

# LED SPEC-SELECT™ FLOOD LIGHTS

## INSTALL INSTRUCTIONS

**PLEASE FIND A QUALIFIED ELECTRICIAN FOR INSTALLATION.** Please read the instructions before you install and use the luminaire.

### WARNING, CAUTIONS AND OPERATING INSTRUCTIONS

- To reduce the risk of death, personal injury or property damage from fire, electrical shock, falling parts, cuts/abrasions, and other hazards read all warnings and instructions included with and on the fixture box and all fixture labels.
- Before installing, servicing, or performing routine maintenance upon this equipment, follow these general precautions.
- Commercial installation, service and maintenance of luminaires should be performed by a qualified licensed electrician.
- For residential installation: If you are unsure about the installation or maintenance of luminaires, consult a qualified licensed electrician and check your local electrical code.
- Maintenance of the luminaires should be performed by person(s) familiar with the luminaires' construction and operation and any hazards involved. Regular fixture maintenance programs are recommended.
- This fixture is intended to be connected to a properly installed and grounded UL listed junction box.
- It will occasionally be necessary to clean the outside of the lens. The lens should be washed in a solution of warm water and a mild, non-abrasive household detergent, rinse with clean water and wiped dry.
- **DO NOT INSTALL DAMAGED PRODUCT!** This luminaire has been properly packed so that no parts should have been damaged during transit. Inspect to confirm. Any part damaged or broken during or after assembly should be replaced.
- These instructions do not claim to cover all details or variations in equipment nor do they cover every possible circumstance in connection with installation, operation, or maintenance.
- To prevent wiring damage or abrasion, do not expose wiring to edges of sheet metal or other objects.
- Do not make or alter any holes in an enclosure of wiring or electrical components during kit installation.

### WARNING: RISK OF FIRE

- Keep combustible and other materials that can burn, away from fixture.
- Do not operate in close proximity to persons, combustible materials or substances affected by heat.

### WARNING: RISK OF FIRE OR ELECTRICAL SHOCK

- Disconnect or turn off power before installation or servicing.
- Verify that supply voltage is correct by comparing it with the luminaire label information.
- Make all electrical and grounded connections in accordance with the National Electrical Code and any applicable local code requirements.
- All wiring connections should be capped with UL approved wire connectors.

### CAUTION: RISK OF INJURY

- Wear gloves and safety glasses at all times when removing luminaire from carton, installing, servicing or performing maintenance.
- Avoid direct eye exposure to the light source while it is on.
- Account for small parts and destroy packing material, as these may be hazardous to children.

### CAUTION: RISK OF PRODUCT DAMAGE

- Never connect components under load.
- Do not mount or support these fixtures in a manner that can cut the outer jacket or damage wire insulation.
- Do not restrict fixture ventilation. Allow for some volume of airspace around the fixture. Avoid covering LED fixtures with insulation, foam, or other material that will prevent convection or cooling.
- Do not exceed fixtures operating temperature: -4°F to 104°F
- Only use fixture in its intended location.
- LED 0-10V dimming leads are Polarity Sensitive. Ensure proper Polarity before installation.
- Electrostatic Discharge (ESD): ESD can damage LED fixtures. Personal grounding equipment must be worn during all installation or servicing of unit. Do not touch individual electrical components as this can cause ESD, shorten lamp life, or alter performance.

**Read the complete installation instructions prior to installation for any fixture specific warnings.**

**WARNING** DISCONNECT POWER BEFORE INSTALLING OR SERVICING.

### CHOOSE SETTINGS (If applicable)

1. To change settings, use a flathead screwdriver to remove the clear plug on the side of the fixture (Fig. A).
2. Choose your settings by setting the dip switch to the appropriate positions. (Fig. B)
3. Replace clear plug. Tighten to Min. 17in-lbs (2Nm) to Max. 22in-lbs (2.5Nm).

Fig. A

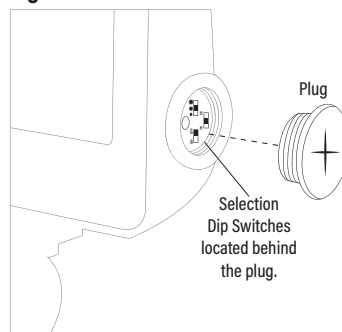
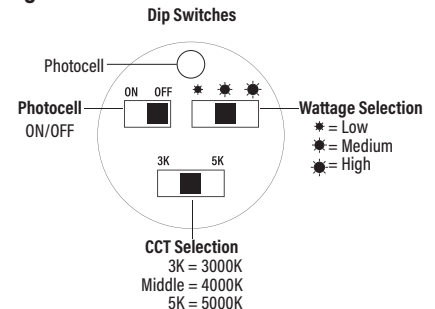


Fig. B



# LED SPEC-SELECT™ FLOOD LIGHTS

## INSTALL INSTRUCTIONS

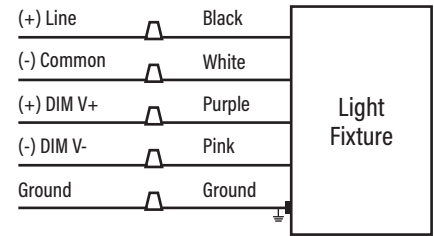
**!** WARNING DISCONNECT POWER BEFORE INSTALLING OR SERVICING.

### GENERAL WIRING DIAGRAM

Note: Fixture Driver provides 0-10V dimming output for aftermarket controls.

1. Turn off electrical power at fuse or circuit breaker box before wiring fixture to the power supply.
2. Connect wiring per the wiring diagram and standard wiring practices.

**Caution:** If fixture is not connected to a separate 0-10V dimming circuit, cap off purple and pink wires separately. Failure to do so may cause fixture malfunction and void warranty.



### KNUCKLE MOUNT (Fig. 1) - Included.

1. Seal arm thread using teflon tape or silicone sealant.
2. Secure the LED Flood to a 1/2" NPS hole in a junction box or landscape post, not included.
3. To ensure weatherproof seal, apply weatherproof silicone sealant around the edge of the junction box (not supplied). This is especially important with an uneven wall surface.
4. To adjust the tilt angle of the fixture, loosen the 1/4"-20 socket cap screw in the knuckle with a 3/16" allen wrench, rotate fixture to the desired angle and re-tighten screw to: Min. 27in-lbs (3Nm) to Max. 31in-lbs (3.5Nm).

Fig. 1

