

# LED HIGH BAY MHB08



Sunco's HB08 is a compact, round, budget-friendly high bay that combines great performance with premium aesthetics. The stylish exterior design is very adaptable and can be seamlessly integrated into various environments without being obtrusive. The unique structural design provides maximum durability and reliability, while supporting Hook, Pendant, and surface three installation methods. Each model of the HB08 series supports color temperature adjustment, and 4 positions wattage regulation, reducing product stocking budgets. Emergency Battery and Sensor are optional. It's ideal for a variety of commercial and industrial lighting applications such as warehouses, manufacturing, and stadiums.



100W/150W/160W



210W/230W/235W

## SPECIFICATION FEATURES

### Construction

- Casting thermally conducts LED heat to optimize performance and long life.
- With corrosion-resistant powder coating that provides protection and architectural appearance while adapting well to the environment.

### Optics

- Light engines are available in color tunable version, the CCT can be changed to three CCTs (3000K, 4000K, 5000K) or two CCTs (4000K, 5000K).
- Anti-UV prismatic translucent lens is designed to shape the light uniformity and controls the glare light.

### Electrical

- Universal 120-277VAC
- 0-10V dimming standard for a dimming range of 100% to 10%.
- PF >90%, THD <20%, 6KV surge protection.
- Operating Temperature Range: -40°F - 122°F.

Note: Operating with emergency battery temperature range: +41°F - + 122°F.

### Lifespan

- Estimated 50,000-hour LED lifespan based on IES LM-80 results and TM-21 calculations.

### Warranty

- Five-year limited warranty.

### Certifications

- UL cUL wet location listed.
- DesignLights Consortium™ Qualified.

Note: Please refer to the DLC website for specific product qualifications at [www.designlights.org](http://www.designlights.org).

### Emergency Battery (Optional)

25W 3500lm 90min



### Plug-and-Play Sensor (Optional)

Sensor allows for security and energy saving.



### Installation Accessory

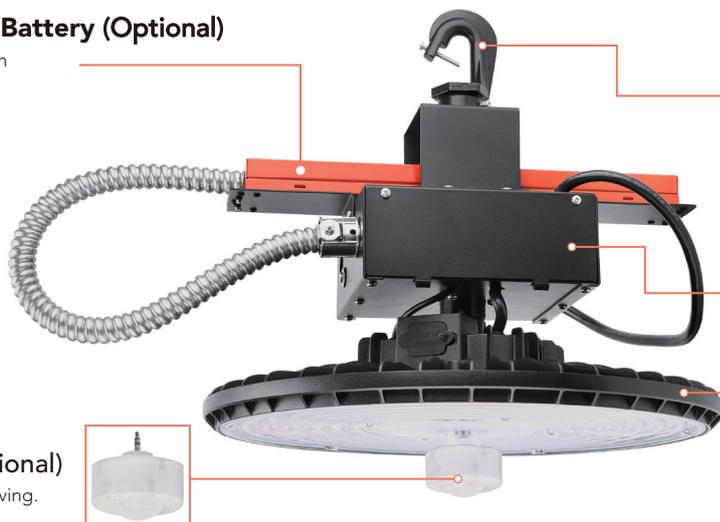
Available for both hook mount, conduit mount and surface mounting with U-bracket (optional). U-bracket allows to adjust the direction to illuminate any area you need.

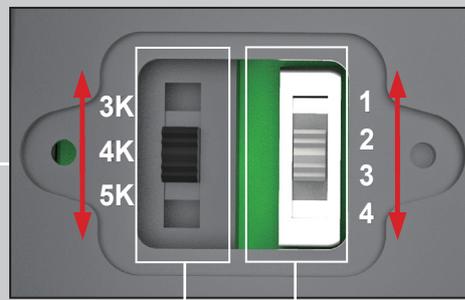
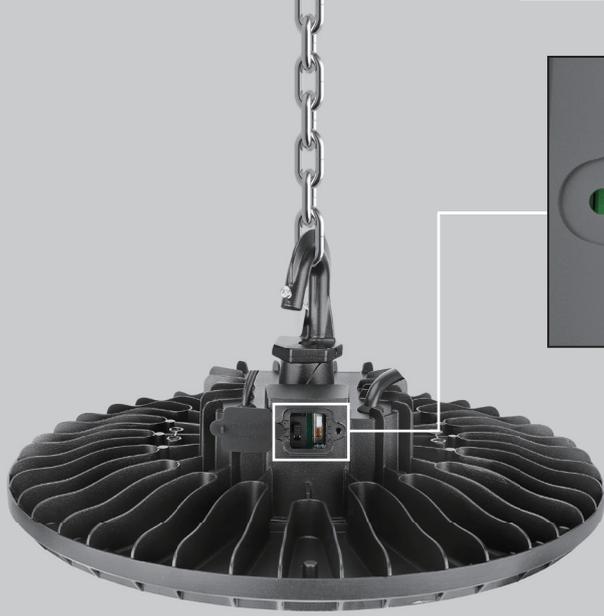
### Transformer BOX (Optional)

Transformer can be easily added into the junction-box to convert the input voltage from 120-277V to 347-480V.

### Housing

Rugged die-cast housing with corrosion-resistant powder coating for effective protection.





### CCT AND WATTAGE SELECTABLE

This fixture has the function of adjusting the lumens output and color temperature on-site.

**CCT SELECT**

3000K 4000K 5000K

Offer three CCT adjustable (3000K, 4000K, 5000K) or two CCT adjustable (4000K, 5000K)

**WATTAGE SELECT**

40% 60% 80% 100%

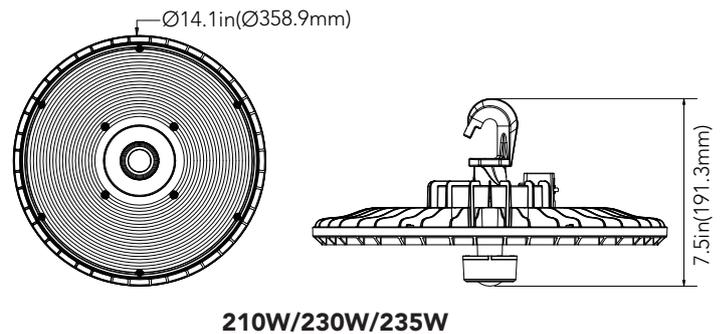
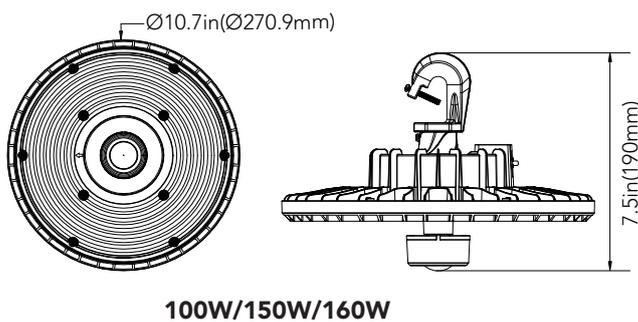
Each model supports 4 positions wattage regulation: 100%, 80%, 60%, 40%

## PERFORMANCE DATA

84W/126W/168W/210W								
SETTING	SYSTEM WATTS	CRI	3000K		4000K		5000K	
			LUMENS	LPW	LUMENS	LPW	LUMENS	LPW
100%	210W	70	30000lm	143 lm/W	32000lm	152 lm/W	30500lm	145 lm/W
80%	168W	70	24500lm	146 lm/W	26500lm	158 lm/W	25000lm	149 lm/W
60%	126W	70	19000lm	151 lm/W	21000lm	167 lm/W	20000lm	159 lm/W
40%	84W	70	13500lm	161 lm/W	14500lm	173 lm/W	14000lm	167 lm/W

## DIMENSION

unit: mm/inch



## MOUNTING



Hook Mount



Conduit Pendant Mount\*



U-Bracket Mount

\*Not included

## PHOTOMETRICS

