

HIGH BAY LIGHT H5

Ultra-high efficiency
up to 140 lm/W



Note: Not all of the products indicated in this specification are DLC premium qualified, please refer to <https://www.designlights.org/searcher> for more details.

HIGH LIGHT · DURABLE · SAVE COST
100W/150W/200W

Suitable for Factory / Warehouse / Indoor Basketball / Court / Gym / Shopping mall and other Industrial and Commercial venues

Features

UL Listing: Suitable for wet locations

LEDs: Long-life, high-efficiency, surface mount LEDs

Lifespan: 100,000-hour LED lifespan based on IES LM-80 results and TM-21 calculations

Drivers:

100W:

Constant current, 50/60 Hz., 120-277V, 0.83A @ 120V, 0.48A @ 208V, 0.42A @ 240V, 0.36A @ 277V;

150W:

Constant current, 50/60 Hz., 120-277V, 1.25A @ 120V, 0.72A @ 208V, 0.62A @ 240V, 0.54A @ 277V;

200W:

Constant current, 50/60 Hz., 120-277V, 1.67A @ 120V, 0.96A @ 208V, 0.83A @ 240V, 0.72A @ 277V;

CCT: Available in 5000K

Dimming: 0-10V dimming, Continuous

Reflector Options: white aluminum reflector available in 8.9" (228mm) in height.

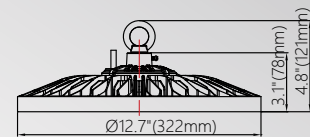
Finish: Black(standard)/Customerization.

Housing: ADC12 die-cast aluminum

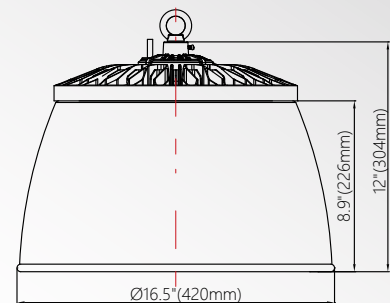


Dimension

Unit:MM/INCH



Hanging Ring (Default)



AL-Reflector

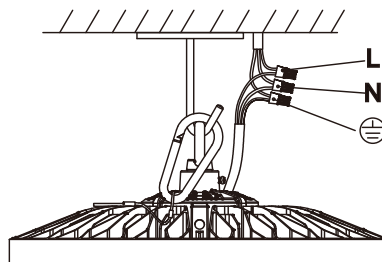
Reflector (Sold Separately)



Aluminum Reflector

DATA SHEET				
OPTICS	Input Power (W)	100W	150W	200W
	Lumens Delivered @ 5000K	14,000 lm	21,000 lm	28,000 lm
	Efficacy (lm/W)	>140lm/W		
	CRI	>80		
	IES LM-80 results and TM-21 calculations	>100,000 hours		
	CCT	5000K		
ELECTRICAL	Input Voltage	AC120-277V ,50/60Hz		
	Max THD %	<10%		
	Power Factor	>95%		
PHYSICAL	Housing	ADC12 Die-Cast Aluminum		
	Lens Type	PC		
	Weight(N.W)	2.5KG/5.5LB (LED driver integrated) & 2.8KG/6.2LB (LED Driver Split Type)		
CERTIFICATION	Certification	UL listed, FCC,CE,RoHS,SAA		
	Environment	Wet location listed, IP65		
THERMAL	Operating Temperature	-40°F - 113°F (-40°C - 45°C)		
	Humidity	10% - 90% RH, Non Condensing		
QUALIFICATION	DesignLights Consortium	Listed on QPL DLC 5.1 Premium		
Surge Protection		Built-in 6kV Surge Protection		
Accessory		Ring Bolt Mounting Accessory Included With Safety Hanging Kit		

Installation diagram:



Hanging Ring (Default)

Wiring diagram

Wiring Connection

Turn off the power, connect AC wire.

Dimmer connection (With dimmable driver.)

1. Compatible with 0-10V dimming.
2. Connect wires as below (Figure 1).

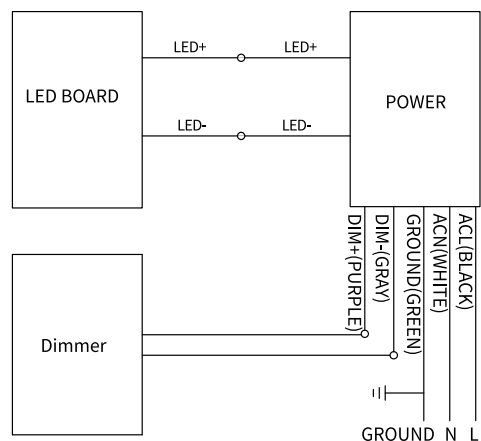
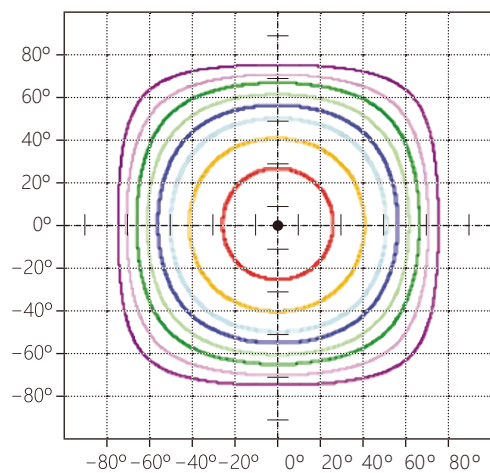


Figure 1

PHOTOMETRIC SPECIFICATIONS

ISOCANDELA PLOT



POLAR CANDELA DISTRIBUTION

