



Item#: **93775**
LED 48" VAPOR TIGHT - 2 LAMP
LED READY FIXTURE

FEATURES

- Diffusing lens for uniform light.
- Gasket formed to housing provides a seamless seal and protects lamps from dust and humidity.
- Die formed galvanized steel mounting brackets.
- Stainless steel clips
- 18 AWG 3 Conductor (10A / -40°F ~ 194°F /Dia .305")

MOUNTING

- Surface mounting.

APPLICATION

Ideal for commercial and industrial environments; tunnels, stairwells, parking garages, cold storage, and airports. *Not designed for use in car washes, truck wash bays, or where exposed to harsh chemicals.*

ELECTRICAL

Lamps Type (Not included)	T8
Number of Lamps	2
Voltage	120-277V

ENVIRONMENT

Operating Temperature	-4° ~ 104°F
Suitable Location	WET
Ingress Protection Rating	IP65

LIFESPAN

Warranty (Years)	2
------------------	----------

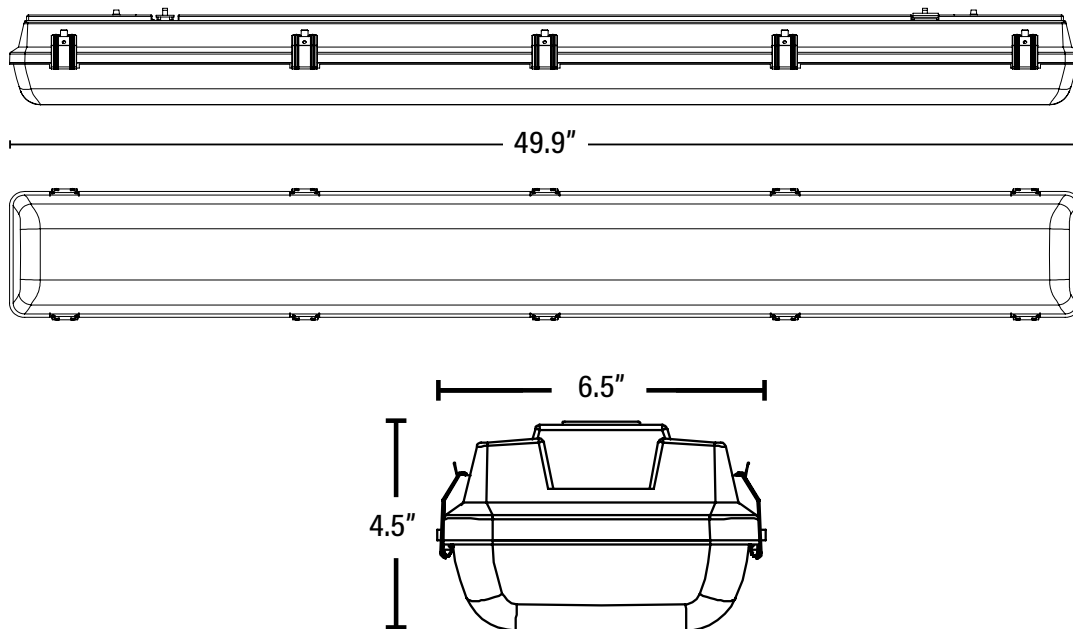
CONSTRUCTIONS

Housing	Polycarbonate
Lens	Vandal Resistant / PC
Sockets	Non-Shunted
Base / Power Supply	Hard Wired
Clips	Stainless Steel
Finish	White

CERTIFICATIONS



Operating temperature may vary depending on the lamps used. • Specifications are subject to change without notice.



Item#: **93775**
LED 48" VAPOR TIGHT - 2 LAMP

DIMENSIONS (Inches)

Length	49.9"
Width	6.5"
Height	4.5"
Weight (Lbs)	--

PACKAGING		UPC	DIMENSIONS (LxWxH)	GROSS WEIGHT (Lbs)
Master Carton	4	10811768027355	51" x 7.3" x 13.6"	30.9
Individual Box	1	811768027358		7.7
Country of Origin	China			
HS Tariff	9405.10.6020			

ADDITIONAL INFORMATION:

- Pairs with Direct Wire Single-End or Double-End UL Type B Lamps. Single-end pre-wired fixtures can also be wired double-end by the end-user if needed. Follow specific lamp installation wiring instructions for correct wiring.