



Item#: **25655**
LED DIAMOND HIGH BAY™ - 4 LAMP
LED READY FIXTURE

FEATURES

- Use 30% less energy than a traditional fluorescent fixture
- Die formed, and rigidly fabricated
- Sufficient knockouts are provided on ends and back to accommodate multiple mounting configurations
- LED ready with non-shunted sockets
- Pre-wired at both ends
- Works with both Single-End and Double-End Direct Wire lamps
- Designed for chain mounting

APPLICATION

Ideal for larger warehouses, retail applications, commercial buildings and work areas.

ELECTRICAL

Lamp Type (not included)	T8
Number of Lamps	4
Voltage	120-277V

ENVIRONMENT

Operating Temperature	-4° ~ 122°F
Suitable Location	DAMP
Ingress Protection Rating	IP40

LIFESPAN

Warranty (Years)	2
------------------	----------

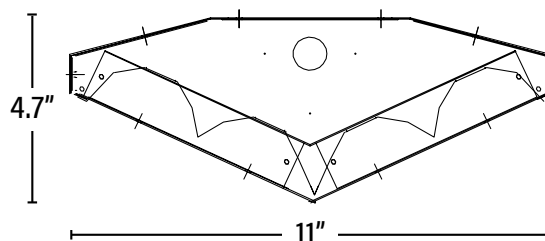
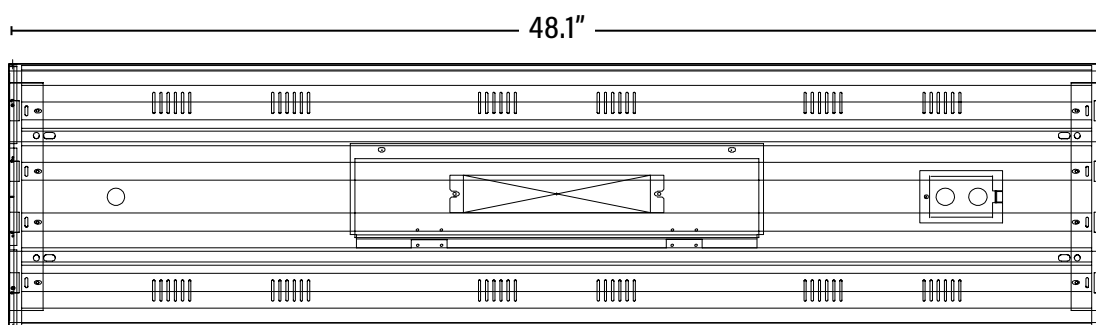
CONSTRUCTION

Housing	22 Gauge C.R.S
Reflector	86% MIRO4 Aluminum
Base / Power Supply	Hard Wired
Finish	High Gloss Baked White Enamel

QUALIFICATIONS



Operating temperature may vary depending on lamps used. • Specifications are subject to change without notice.



Item#: **25655**
LED DIAMOND HIGH BAY™ - 4 LAMP

DIMENSIONS (Inches)

Length	48.1"
Width	11.9"
Height	4.7"
Weight (Lbs)	--

PACKAGING		UPC	DIMENSIONS (LxWxH)	GROSS WEIGHT (Lbs)
Master Carton	1	811768024661	48.5" x 12.6" x 5.1"	14.3
Country of Origin	China			
HS Tariff	9405.10.6020			

ADDITIONAL INFORMATION:

- Pairs with Direct Wire Single-End or Double-End UL Type B Lamps. Follow specific lamp installation wiring instructions for correct wiring.