



ELECTRICAL

Lamp Type (not included)	T8
Number of Lamps	2
Voltage	120-277V

ENVIRONMENT

Operating Temperature	-4° ~ 122°F
Suitable Location	DAMP
Ingress Protection Rating	IP40

LIFESPAN

Warranty (Years)	2
------------------	----------

CONSTRUCTION

Housing	22 Gauge C.R.S
Lens	Low-Glare Prismatic
Base / Power Supply	Hard Wired
Finish	High Gloss Baked White Enamel

QUALIFICATIONS



Operating temperature may vary depending on the lamps used. • Specifications are subject to change without notice.

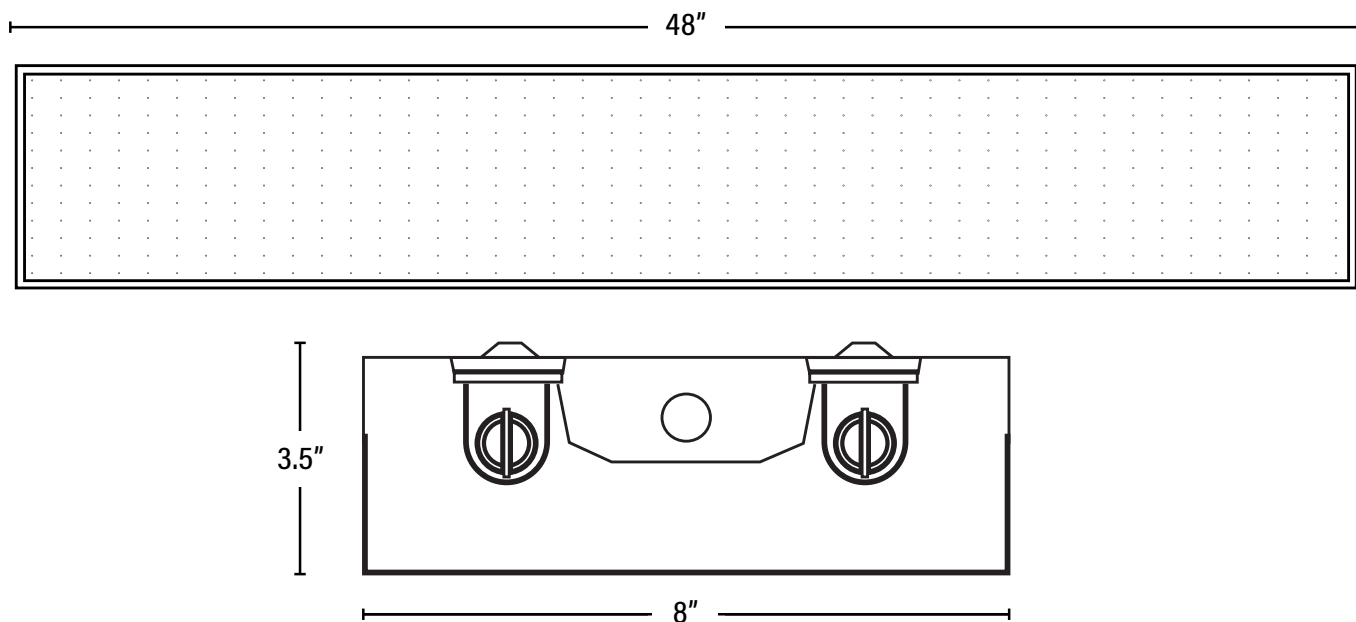
Item#: **54655**
48" LED READY WRAP A-ROUND
 LED READY FIXTURE

FEATURES

- Prismatic lens for uniform low glare light.
- Die form cold-rolled steel housing.
- LED ready with non-shunted sockets
- Pre-wired at both ends
- Works with both Single-End and Double-End Direct Wire lamps
- Designed for surface mounting

APPLICATION

Ideal for larger warehouses, retail applications, commercial buildings and work areas.



Item#: **54655**
48" LED READY WRAP A-ROUND

DIMENSIONS (Inches)

Length	48"
Width	8"
Height	3.5"
Weight (Lbs)	--

PACKAGING		UPC	DIMENSIONS (LxWxH)	GROSS WEIGHT (Lbs)
Master Carton	1	811768029543	48.6" x 8.5" x 3.7"	5.5
Country of Origin	China			
HS Tariff	9405.10.6020			

ADDITIONAL INFORMATION:

- Pairs with Direct Wire Single-End or Double-End UL Type B Lamps. Follow specific lamp installation wiring instructions for correct wiring.