



Item#: **34655**  
**LED 96" TANDEM STRIP FIXTURE**  
 LED READY FIXTURE

**FEATURES**

- Use 30% less energy than a traditional fluorescent fixture
- Die formed, and rigidly fabricated
- LED ready with non-shunted sockets
- Pre-wired at both ends
- Works with both Single-End and Double-End Direct Wire lamps
- Designed for surface mounting

**APPLICATION**

Ideal for larger warehouses, retail applications, commercial buildings and work areas.

**ELECTRICAL**

Lamp Type (not included)	T8
Number of Lamps	4
Voltage	120-277V

**ENVIRONMENT**

Operating Temperature	-4° ~ 122°F
Suitable Location	<b>DAMP</b>
Ingress Protection Rating	IP40

**LIFESPAN**

Warranty (Years)	<b>2</b>
------------------	----------

**CONSTRUCTION**

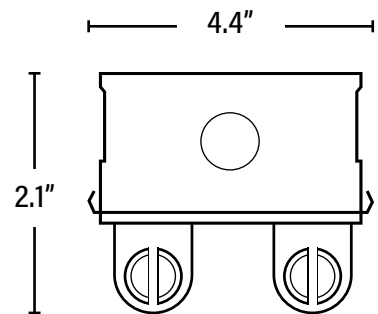
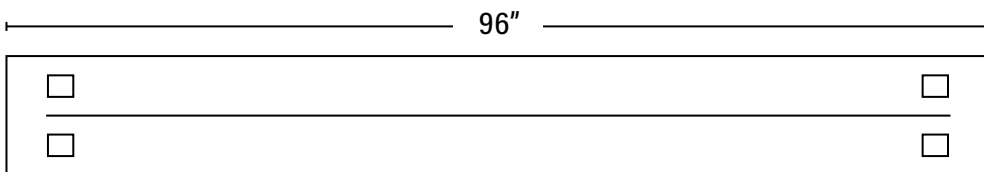
Housing	22 Gauge C.R.S
Base / Power Supply	Hard Wired
Finish	High Gloss Baked White Enamel

**QUALIFICATIONS**



*Operating temperature may vary depending on the lamps used. • Specifications are subject to change without notice.*

PERFORMANCE DATA



**DIMENSIONS** (Inches)

Length	96"
Width	4.4"
Height	2.1"
Weight (Lbs)	--

**PACKAGING**

PACKAGING	UPC	DIMENSIONS (LxWxH)	GROSS WEIGHT (Lbs)	
Master Carton	1	811768020670	97.6" x 4.7" x 2.3"	8.8
Country of Origin	China			
HS Tariff	9405.10.6020			

**ADDITIONAL INFORMATION:**

- Pairs with Direct Wire Single-End or Double-End UL Type B Lamps. Follow specific lamp installation wiring instructions for correct wiring.