



Item#: **27845**  
**BI-LEVEL MICROWAVE**  
**MOTION & DAYLIGHT SENSOR**  
 ISO FIXTURE ACCESSORY

**FEATURES**

- Provides multi-level control based on motion and/or daylight contribution.
- Slim, low-profile.
- 360° detection range.
- Adjustable light levels and stand-by time.
- All control parameters are adjustable by using the RC-100 remote (sold separately)

**APPLICATION**

Sensor is designed for use with select PQL fixtures with 12-24VDC AUX installed sensor socket.

**ELECTRICAL**

Power Supply	12-24VDC, >50mA
HF System	5.8GHz ± 75MHz
Transmission Power	<0.2mW

**PERFORMANCE**

Dim Control Output	0-10V / Max. 25mA Sinking Current
Detection Sensitivity	20% / 50% / 75% / 100%
Detection Diameter	Up to 52ft
Mounting Height	Max. 40ft
Time Settings	10s / 1min / 5min / 10min / 20min / 30min / 60min
Lighting Control	24H / 10 Lux / 30 Lux / 50 Lux

**ENVIRONMENT**

Operating Temperature	-40° ~ 158°F
Suitable Location	<b>WET</b>
Ingress Protection Rating	IP65

**LIFESPAN**

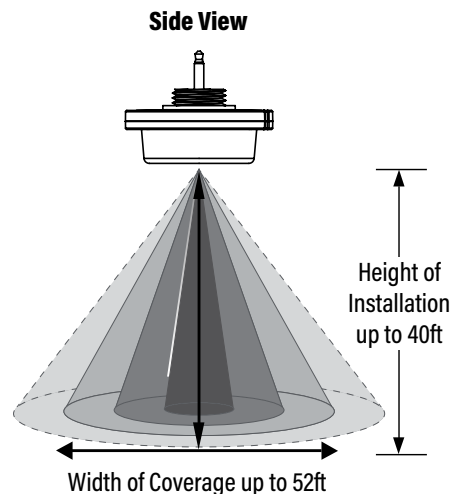
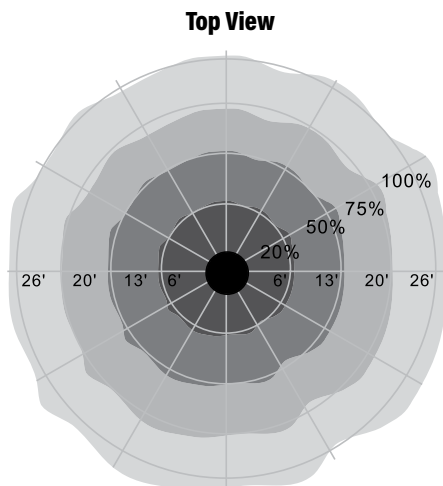
Warranty (Years)	--
------------------	----

**CONSTRUCTION**

Housing	PC
Mounting	Screw In
Finish	White

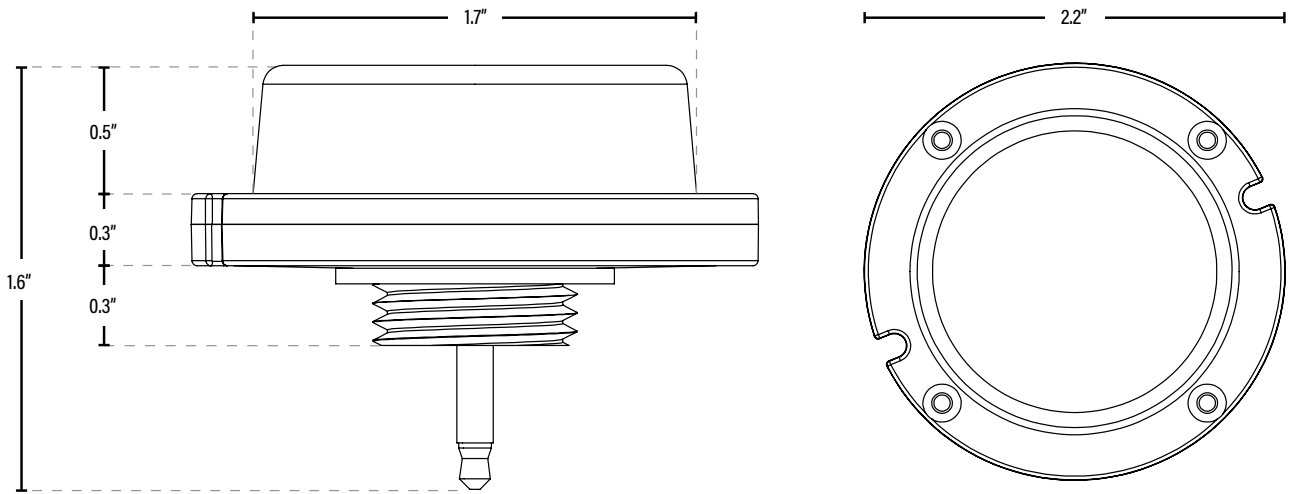
*Specifications are subject to change without notice.*

**SENSOR COVERAGE**



Item#: 27845

## BI-LEVEL MICROWAVE MOTION & DAYLIGHT SENSOR



ITEM INFORMATION

### DIMENSIONS (Inches)

Width/Diameter (MOD)	2.2"
Height	1.6"
Net Weight (Lbs)	--

### PACKAGING

		UPC	DIMENSIONS (LxWxH)	GROSS WEIGHT (Lbs)
Master Carton	100	10811768020714	10.6" x 10.6" x 8.9"	--
Individual Box	1	811768020717	2" x 2" x 2"	--
Country of Origin	China			
HS Tariff	--			

### ADDITIONAL INFORMATION:

**Factory Default Settings:** Sensitivity set to 100%. Hold on time 5 minutes. Daylight sensor is disabled (Set at ☀). Dimming level at 30%. Dimming time at 60 minutes.