



Item#: **17845**
**BI-LEVEL PIR MOTION
 & DAYLIGHT SENSOR**
 ISO FIXTURE ACCESSORY

FEATURES

- Provides multi-level control based on motion and/or daylight contribution.
- Controls 0-10V VDC LED drivers or dimming ballasts
- 360° detection range.
- Adjustable light levels and stand-by time.
- All control parameters are adjustable by using the RC-100 remote (sold separately)

APPLICATION

Sensor is designed for use with select PQL fixtures with 12-24VDC AUX installed sensor socket.

ELECTRICAL

Power Supply 12-24VDC, >30mA

PERFORMANCE

Dim Control Output 0-10V / Max. 25mA Sinking Current

Detection Sensitivity 20% / 50% / 75% / 100%

Detection Diameter At max. height 60ft

Mounting Height Max. 40ft

Time Settings 10s / 1min / 5min / 10min / 20min / 30min / 60min

Lighting Control 24H / 10 Lux / 30 Lux / 50 Lux

ENVIRONMENT

Operating Temperature -4° ~ 140°F

Suitable Location **WET**

Ingress Protection Rating IP65

LIFESPAN

Warranty (Years) --

CONSTRUCTION

Housing PC

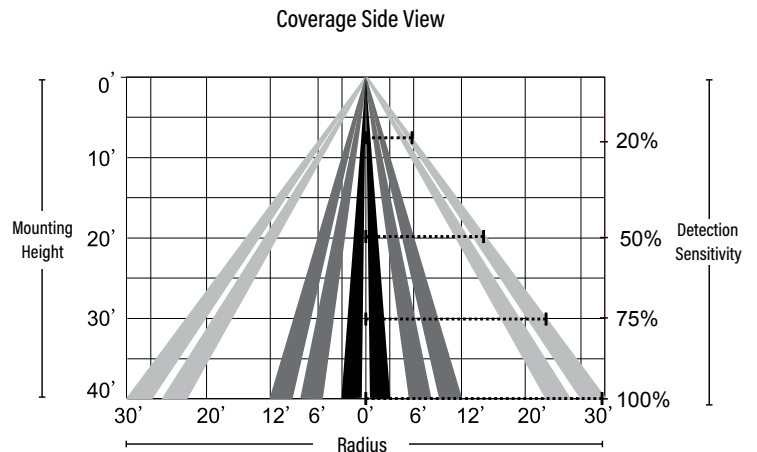
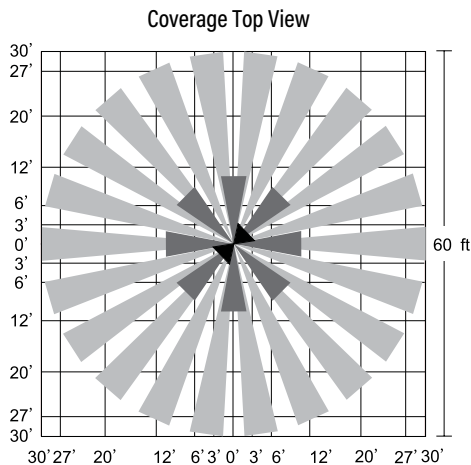
Mounting Screw In

Finish White

Specifications are subject to change without notice.

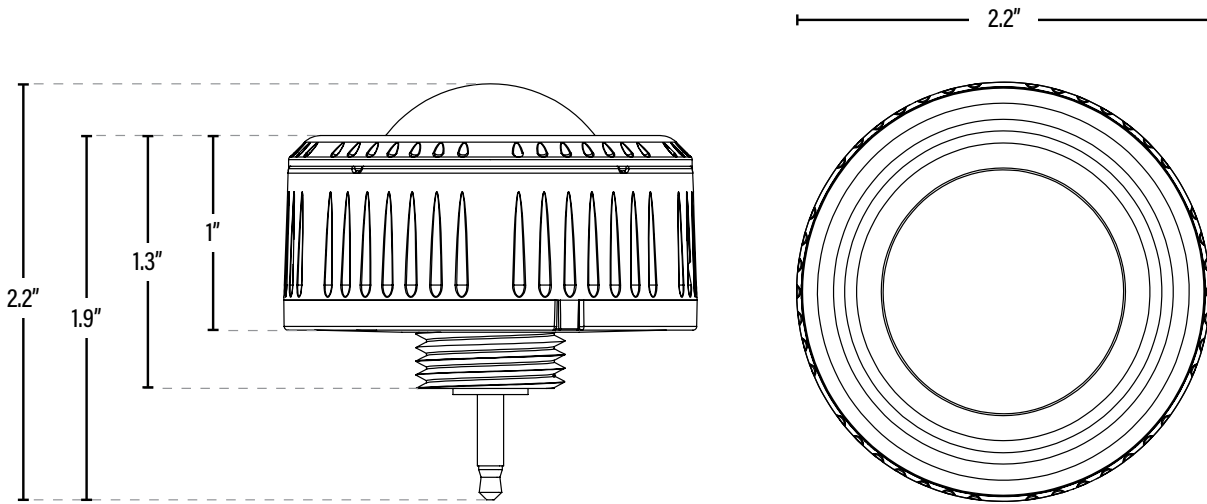
PERFORMANCE DATA

SENSOR COVERAGE



Item#: **17845**

BI-LEVEL PIR MOTION & DAYLIGHT SENSOR



DIMENSIONS (Inches)

Width/Diameter (MOD)	2.2"
Height	2.2"
Net Weight (Lbs)	--

PACKAGING		UPC	DIMENSIONS (LxWxH)	GROSS WEIGHT (Lbs)
Master Carton	100	10811768025979	12.6" x 12.6" x 10.4"	--
Individual Box	1	811768025972	2.4" x 2.4" x 2.4"	--
Country of Origin	China			
HS Tariff	--			

ADDITIONAL INFORMATION:

Factory Default Settings: Sensitivity set to 100%. Hold on time 5 minutes. Daylight sensor is disabled (Set at ). Dimming level at 30%. Dimming time at 60 minutes.