

LED UFO High Bay - HBF SERIES

Introduction

- ◆ The HBF UFO High Bay offers three selectable wattage and two CCT, making it versatile enough to handle countless applications.
- ◆ Its standard efficiency is 150 lumen per watt and its highest lumen reaches 46,500 lumens.
- ◆ HBF includes an expansion port to easily add the sensor which controls by Bluetooth or controller.
- ◆ It can be configured to adjust brightness and hold time, saving additional energy and costs.
- ◆ UFO high bay HBF widely used in warehousing, industrial facilities, sports facilities, gymnasiums, and more.

Features

Construction:

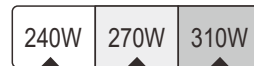
- ◆ Die-casting aluminum housing and heatsink for added protection.

Electrical:

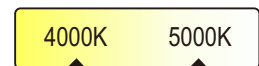
- ◆ 0-10v dimmable driver, which can dim from 100% down to off.
- ◆ The Input voltage is AC120-277V (50/60Hz).
- ◆ 120-277V: 310w model up to L/N-PE: 6kV, L-N: 6kV surge.
- ◆ Flicker-free

Optics:

- ◆ LED chips support 4000k and 5000k with CRI>80. Sealed optic available in 120° beam angle.



WATTAGE SELECTABLE



CCT SELECTABLE

Finish:

- ◆ White color is standard.

Mounting:

- ◆ Support O/G hook, U bracket mount kit, and pendant mount adapter for surface or pendant mounting.

Compliances:

- ◆ cULus listed for wet locations, environment temperature from -40°F to 113°F.
- ◆ DLC® (DesignLights Consortium) Qualified. Please refer to the DLC website for specific product qualifications at www.designlights.org.

Warranty:

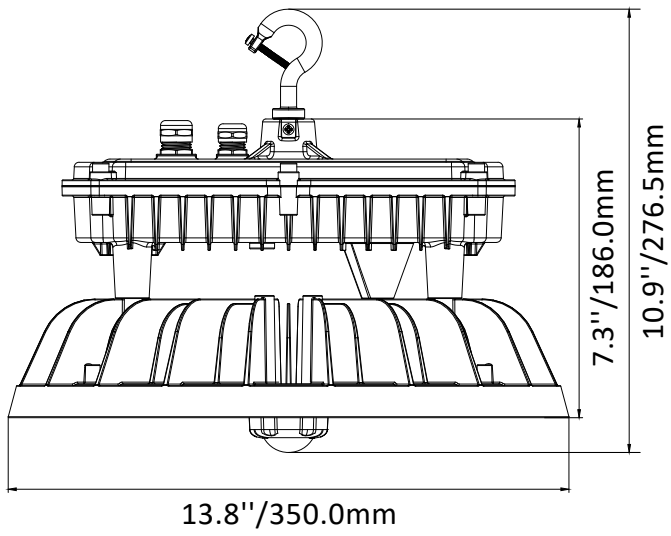
- ◆ 5-years limited warranty.



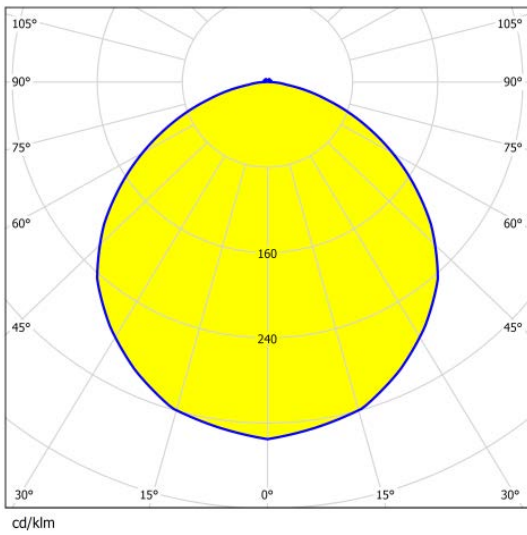
Specification

Size	Model	Wattage	Lumens @50K @150lm/w	CCT	Lens	Input Voltage
Large	XS-HBF-310W-4050K-80LV-C-WH	(310/270/240)W	Max. 46500lm	40k/50k selectable	120°	AC120-277V 50/60 Hz

Dimensions & Weight



Photometrics



Beam Angle: 120°