



Item#: **04655**
LED 4' NARROW STRIP FIXTURE
 LED READY FIXTURE

FEATURES

- Use 30% less energy than a traditional fluorescent fixture
- Die formed, and rigidly fabricated
- LED ready with non-shunted sockets
- Pre-wired at both ends
- Works with both Single-End and Double-End Direct Wire lamps
- Designed for surface mounting

APPLICATION

Ideal for larger warehouses, retail applications, commercial buildings and work areas.

ELECTRICAL

Lamp Type (not included)	T8
Number of Lamps	1
Voltage	120-277V

ENVIRONMENT

Operating Temperature	-4° ~ 122°F
Suitable Location	DAMP
Ingress Protection Rating	IP40

LIFESPAN

Warranty (Years)	2
------------------	----------

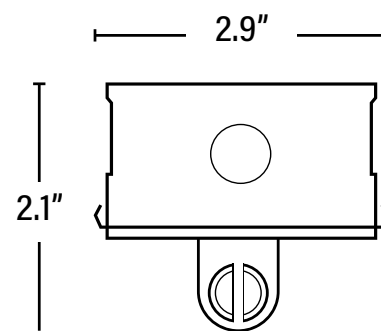
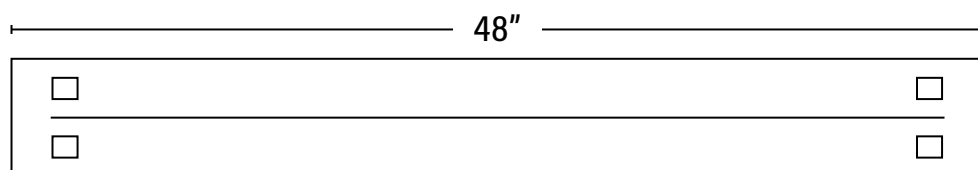
CONSTRUCTION

Housing	22 Gauge C.R.S
Base / Power Supply	Hard Wired
Finish	High Gloss Baked White Enamel

QUALIFICATIONS



Operating temperature may vary depending on the lamps used. • Specifications are subject to change without notice.



DIMENSIONS (Inches)

Length	48"
Width	2.9"
Height	2.1"
Weight (Lbs)	--

PACKAGING

PACKAGING	UPC	DIMENSIONS (LxWxH)	GROSS WEIGHT (Lbs)
Master Carton	811768022162	49.2" x 3.3" x 2.3"	4.4
Country of Origin	China		
HS Tariff	9405.10.6020		

ADDITIONAL INFORMATION:

- Pairs with Direct Wire Single-End or Double-End UL Type B Lamps. Follow specific lamp installation wiring instructions for correct wiring.