

LED AREA LIGHTS - ALH SERIES

Introduction

- ◆ The Hand 10 is the latest generation Area Light that is highly cost effective and offers complete configurations. The Hand 10 delivers 36000 to 46500 lumens, which can replace 250W to 1000W HID luminaires.
- ◆ The Slipfitter, square or round pole arm, wall mount, and universal bracket are available. The Area Light fixtures require a single mount (sold separately) for installation.
- ◆ Photocell, motion sensor and external light control shield are also available. It also supports LLC of HAISEN BLUE and Silvair.

Features

Construction:

- ◆ The Hand 10 area light features a rugged die-cast aluminum body that uses heatsink and flow-through venting to provide optimal thermal management that both enhances LED performance and extends component life. The light housing is sealed against moisture and environmental contaminants. 3G vibration rated compact design minimizes wind load requirements. Low EPA, allowing pole optimization.

Electrical:

- ◆ High voltage AC277-480V with standard 20KV Surge protector
- ◆ Standard with 0-10V dimmable
- ◆ Power Factor : ≥ 0.95
- ◆ THD $\leq 20\%$
- ◆ Light engine is available in 3000K, 4000K & 5000K CCT (CRI70) configuration

Optics:

- ◆ Type III distribution type



240W/ 260W/ 280W/ 310W

Wattage Tunable

Finish:

- ◆ Standard color is dark bronze.

Ambient Temperature:

- ◆ -40°F to 113°F

Listing:

- ◆ UL Certified to meet U.S. and Canadian standards. Suitable for wet locations. Rated for -40°F minimum ambient. DesignLights Consortium® (DLC) Premium qualified product and DLC qualified product.

Warranty:

- ◆ 5-years limited warranty.



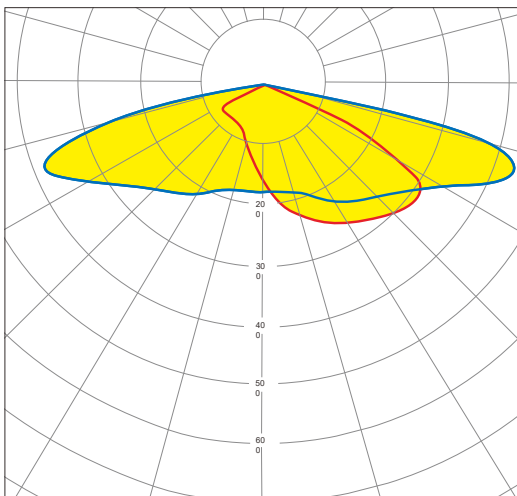
Specification

Watt	Voltage	Distribution Type	5000K, CRI70					4000K, CRI70					3000K, CRI70				
			Lumens	B	U	G	LPW	Lumens	B	U	G	LPW	Lumens	B	U	G	LPW
310W	277-480V	T3	46,500	4	0	4	150	45,880	4	0	4	148	44,950	4	0	4	145

Note: These parameters are based on the Selectable power and single CCT models.

Photometric Diagrams

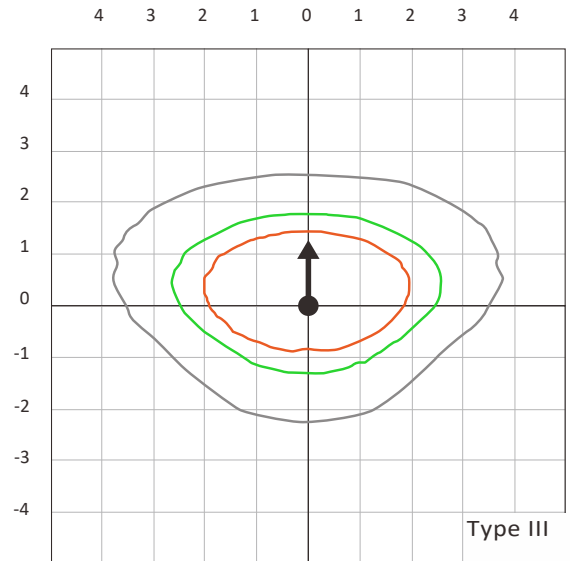
Type III



cd/klm

LEGEND

- 0.1 fc
- 0.5 fc
- 1.0 fc



Type III

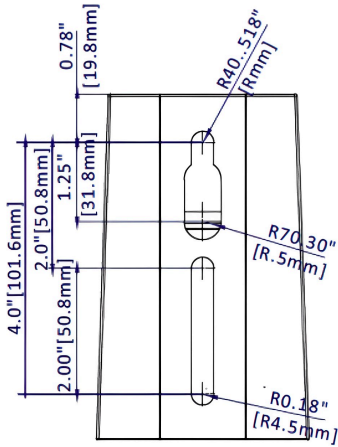
EPA (Square & Round Pole Arm)

*Includes luminaire and integral mounting arm. Other tenons, arms, brackets or other accessories are not included in this EPA data.

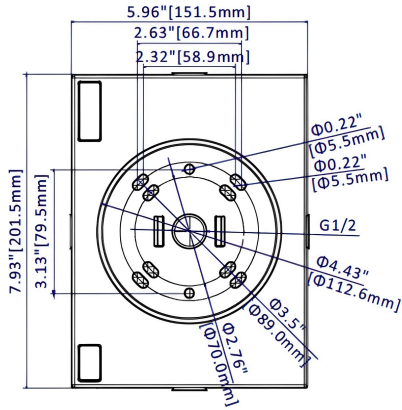
Mounting Type	Tilt	EPA (. ²)								
		Single	2@90	2@180	3@90	3@120	4@90	2 Side by Side	3 Side by Side	4 Side by Side
310W	0°	0.35	0.62	0.64	0.91	0.82	1.21	0.69	1.04	1.39
	10°	0.27	0.54	0.53	0.80	0.69	1.06	0.54	0.81	1.08
	20°	0.26	0.52	0.52	0.77	0.67	1.02	0.52	0.79	1.05
	30°	0.32	0.56	0.60	0.83	0.74	1.12	0.64	0.97	1.29
	40°	0.41	0.61	0.68	0.88	0.84	1.21	0.82	1.23	1.64
	45°	0.46	0.63	0.76	0.92	0.89	1.26	0.92	1.38	1.85
	50°	0.68	0.93	1.10	1.32	1.30	1.84	1.36	2.04	2.72
	60°	1.12	1.51	1.81	2.15	2.12	2.99	2.24	3.35	4.47
	70°	1.45	2.09	2.38	2.99	2.90	4.16	2.90	4.35	5.79
80°	1.72	2.60	2.88	3.72	3.60	5.18	3.44	5.17	6.89	
90°	1.95	3.02	3.32	4.35	4.22	6.03	3.91	5.86	7.82	

Mounting Information

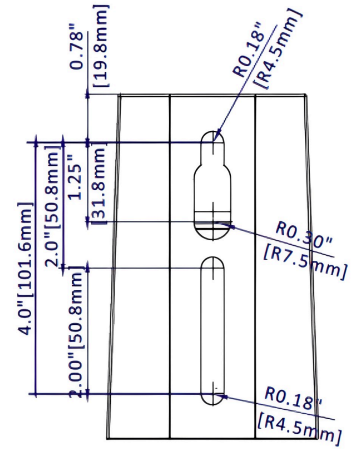
Square & Round Pole Mount



Standard Wall Mount



Adjustable Pole Mount



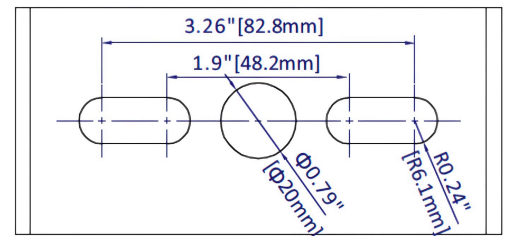
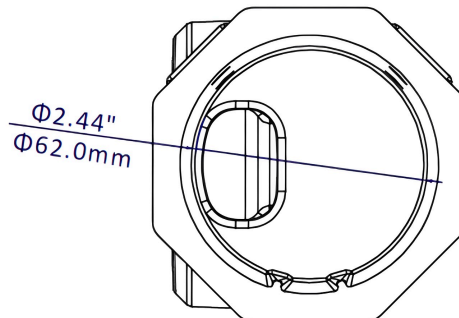
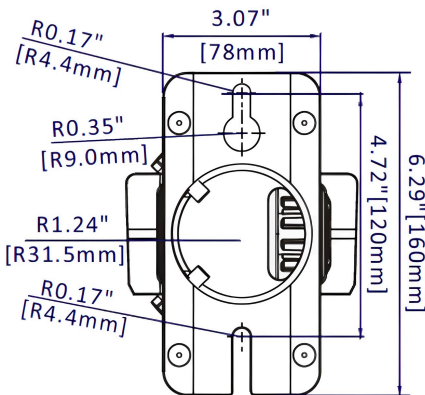
Rotatable Wall Mount



Slip Fitter Mount

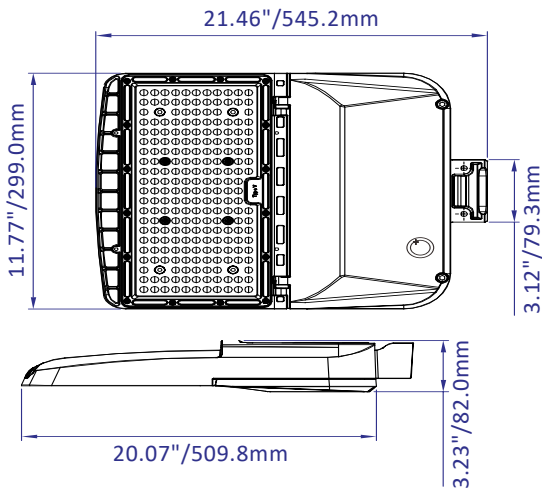


Trunnion Mount



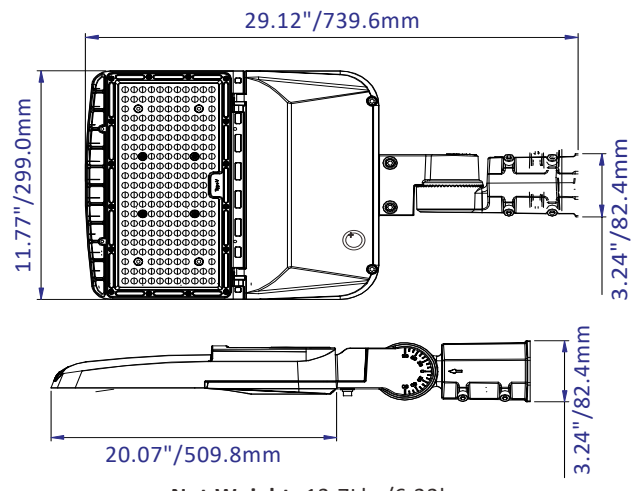
Dimensions & Weights

Without Mounting Bracket



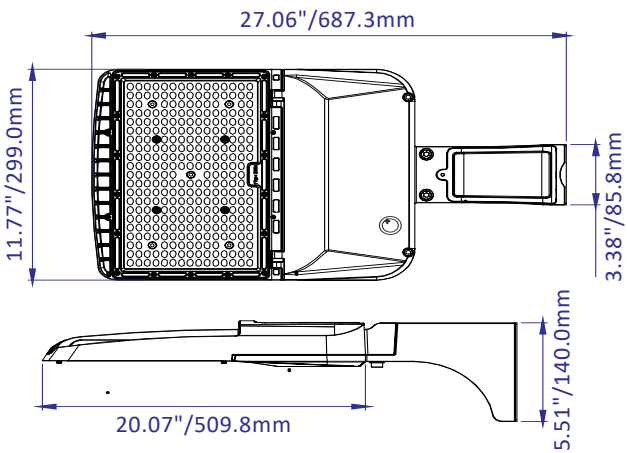
Net Weight: 11.3Lbs/5.12kgs

Slip Fitter Mount



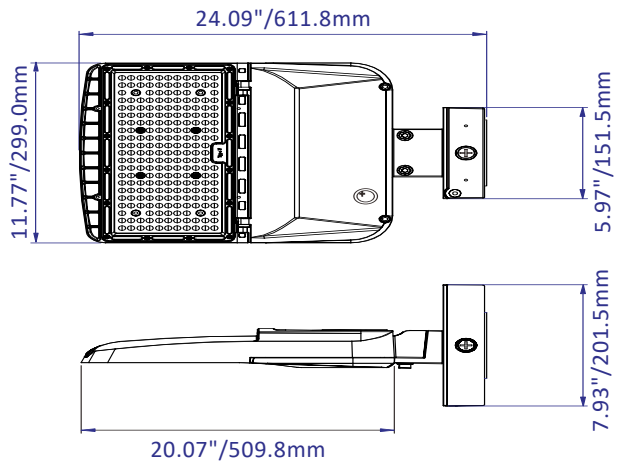
Net Weight: 13.7Lbs/6.22kgs

Square & Round Pole Mount



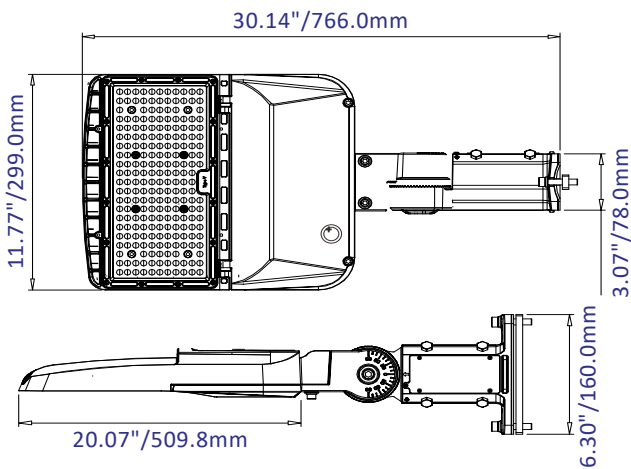
Net Weight: 13.3Lbs/6.06kg

Standard Wall Mount



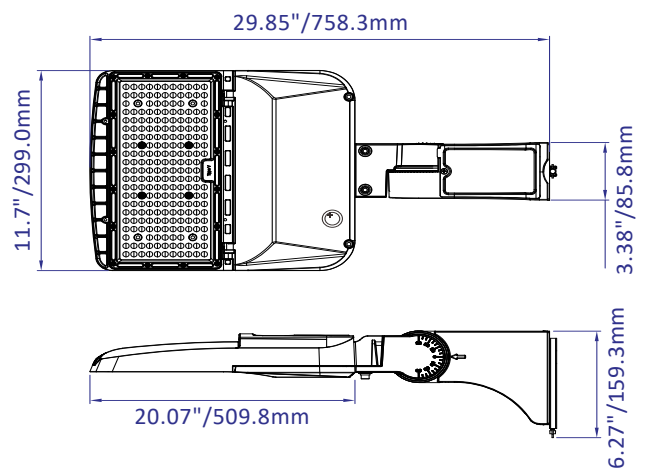
Net Weight: 13.8Lbs/6.27kgs

Rotatable Wall Mount



Net Weight: 14.7Lbs/6.67kgs

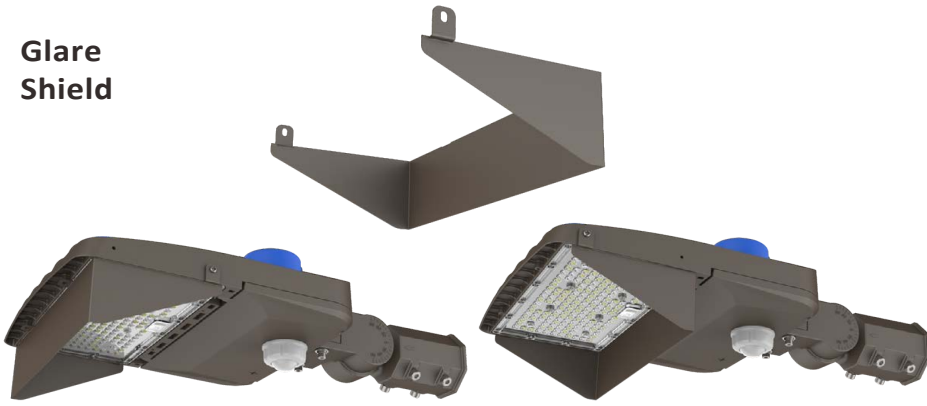
Adjustable Square & Round Pole Mount



Net Weight: 14.5Lbs/6.59kgs

Accessories

Glare Shield



External Half Glare Shield



External 360 Full Visor

Control Options



Photocell
277-480V



Shorting
Cap



PIR Motion Sensor 12V



Surge Protection Device
277-480V

The SPD is included as standard for wattage from 150W and higher