

TENON ADAPTER

External Tenon Reducer for Round Poles



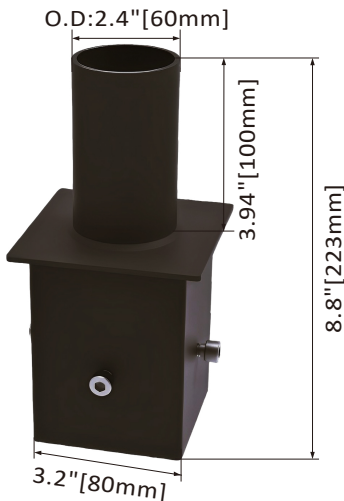
2-3/8" O.D. External Tenon Reducer for 5" Round Poles

SKU: XS-XAP-ETRR5-2-A

Color: Dark Bronze

Apply: This Tenon reducer is used over 5" non-tapered round poles. Fished with there 5/16" external hex head stainless-steel bolts. Vertical tenon measures 2-3/8" O.D., and is made of steel tubing. Fixtures mounted to this bracket can be adjusted both vertically and horizontally.

Internal Tenon Adapter for Square Poles

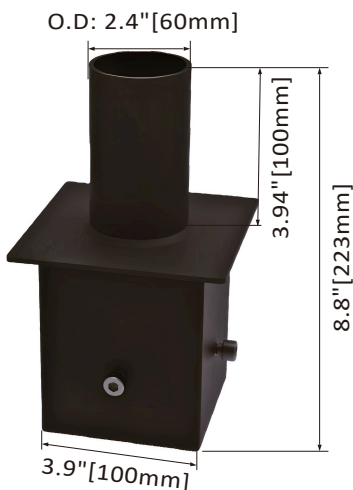


2-3/8" O.D. Internal Tenon Adapter for 4" Square Poles

SKU: XS-XAP-ITASQ4-2-A

Color: Dark Bronze

Apply: Mount inside of 4" square pole. Fished with for 5/16" external hex head stainless-steel bolts. Vertical tenon measures 2-3/8" O.D., and is made of steel tubing. Fixtures mounted to this bracket can be adjusted both vertically and horizontally.



2-3/8" O.D. Internal Tenon Adapter for 5" Square Poles

SKU: XS-XAP-ITASQ5-2-A

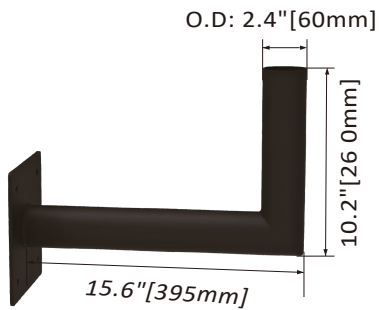
Color: Dark Bronze

Apply: Mount inside of 5" square pole. Fished with for 5/16" external hex head stainless-steel bolts. Vertical tenon measures 2-3/8" O.D., and is made of steel tubing. Fixtures mounted to this bracket can be adjusted both vertically and horizontally.

TENON ADAPTER

External Tenon Bracket

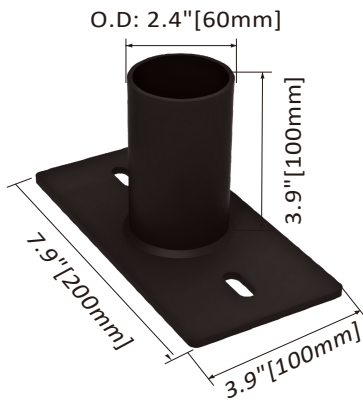
Angled Wall Mount Tenon Bracket



SKU: XS-XAP-WM-VT-2-A

Color: Dark Bronze

Apply: The 90° wall mount with 2-3/8" tenon bracket attaches LED Light to almost any surface, wall, roof, or wood pole. Provides wiring access and built-in 2-3/8" O.D. tenon to mount a fixture with our adjustable slip fitter. Suggested 3/8" diameter bolts for mounting. Mounting holes are spaced 3-1/4" apart.



Horizontal Wall Mount Tenon Bracket

SKU: XS-XAP-WM-HT-2-A

Color: Dark Bronze

Apply: This Tenon bracket can be install onto a wall or square pole, the used for mounting a fixture with an adjustable slip fitter.