

WP7-A & WP8-A

Wall Pack, Outdoor

Features

Housing:

- ◆ Die-formed Cold-rolled Steel with Epoxy Powder Coated Finish

Optical:

- ◆ Shade: High Transmission Acrylic Creates Excellent Light Distribution and Uniformity
- ◆ LED: High Efficiency, High CRI, Binned and Mixed to Reach Uniform Light

Electrical:

- ◆ 120V – 277V

Lamp:

- ◆ Integrate LED Module
- ◆ Color Temperature Option – 3000K, 4000K



Certifications:

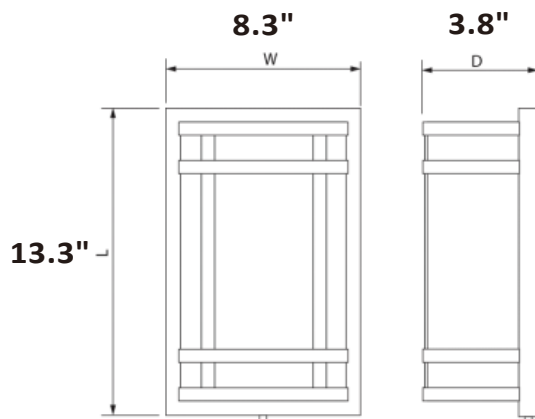
- ◆ ETL/cETL Listed, Suitable for Wet Locations

Warranty:

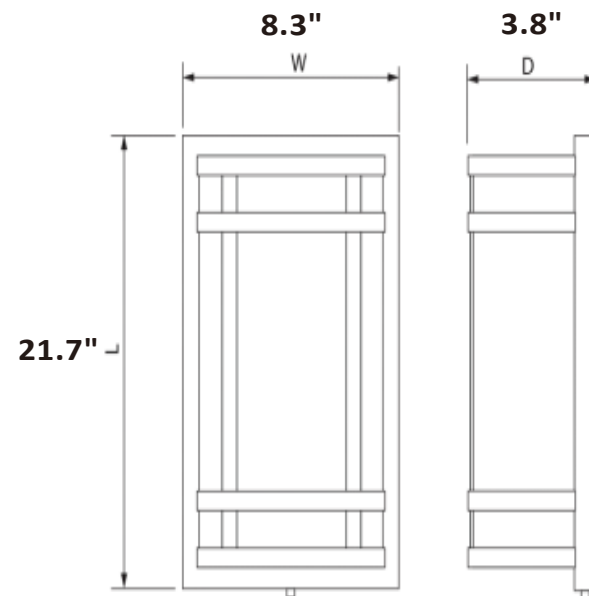
- ◆ 5 Years Warranty on Driver and LED Module

Dimensions

13 Inch Dimension



22 Inch Dimension



LED Type

Model	Input Voltage	Input Wattage	Lumen (Type) / CRI	CCT	Finish	Shade	Dimension (OD X H)
WP7-A-05-15W-xxxxK	120V ~ 277V	15W	665 / > 80	3000K or 4000K	Black	Acrylic	13.3" x 8.3" x 3.8"
WP8-A-05-23W-xxxxK	120V ~ 277V	23W	1290 / > 80	3000K or 4000K	Black	Acrylic	21.7" x 8.3" x 3.8"