

On/Off Passive Infrared Motion Sensor

Designed for LED fixtures; rated for extreme temperatures and up to 200,000 on/off cycles



Fully adjustable high and low dimmed light levels; optional dusk to dawn control

Multiple mounting options for easy installation



**PIR Motion Sensor
(MS-BRI819P-B-O)**

PRODUCT OVERVIEW

Description

The MS-BRI819P-B-O mounts in an indoor lighting fixture and provides multi-level control based on motion. It controls 0-10 VDC LED drivers or dimming ballasts. All control parameters are adjustable via a wireless configuration tool capable of storing and transmitting sensor profiles or by DIP switch.

Applications

The slim, low-profile MS-BRI819P-B-O is designed for installation by external lens to connect with light fixture body. The sensor is ideal for areas such as parking facilities, gas stations, pedestrian pathways and warehouses. A choice of two PIR sensor lenses ensures complete coverage for mounting heights up to 40°.

FEATURES

- Provides line voltage On/Off switching and 0-10VDC dimming control
- Works with ballasts or LED drivers
- High and low modes fully adjustable from 0 to 10V
- Time delay from 10 seconds to 60 minutes
- Optional cut off delay
- Adjustable ramp up and fade down times
- High inrush stability zero crossing circuitry for reliable, long-life operation latching relay is durable for all load
- UL773A and FCC

SPECIFICATIONS

Power Supply	120-277VAC 50/60Hz
Maximum load @ -40°F ~ 167°F	Resistive/Tungsten - 600W@120V Electronic Ballast - 800W@120V/1200W@277V
Dim Control Output	0-10V max. 25mA sinking current
Detection Radius/Angle	30ft @40ft height/360°, 30ft @25ft height/360°
Mounting Height	Max 25ft. @L1 Max 40ft. @L2
Remote Range	50ft. (15m) indoor, no backlight
Time Setting	10sec. to 60min. (adjustable)
Light Control	10-2000Lux (adjustable)
Humidity	Max. 95% RH
Temperature	-40°F ~ 167°F

CORRIDOR FUNCTION

This function inside the motion sensor to achieve tri-level control for some areas which require a light change notice before switch-off. The sensor offers 3 levels of light: 100%-->dimmed light (natural light is insufficient)-->off; and 2 periods of selectable waiting time: motion hold-time and stand-by period; selectable daylight threshold and freedom of detection area.



With sufficient natural light, the light does not switch on when presence is detected.



With insufficient natural light, the sensor switches on the light automatically when presence is detected.

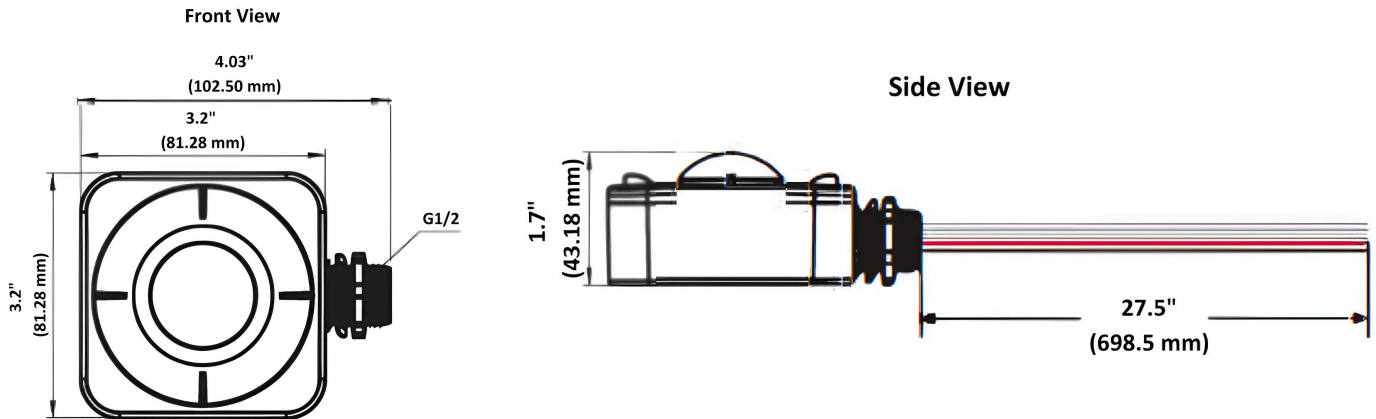


After hold-time, the light dims to stand-by level if the surrounding natural light is below the daylight threshold.

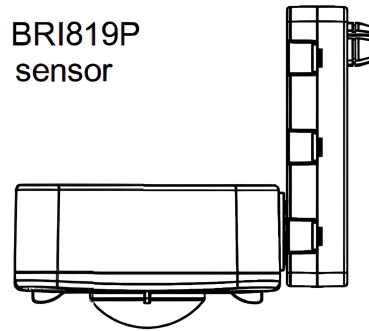


Light switches off automatically after the stand-by period elapses.

DIMENSIONS & MOUNTING

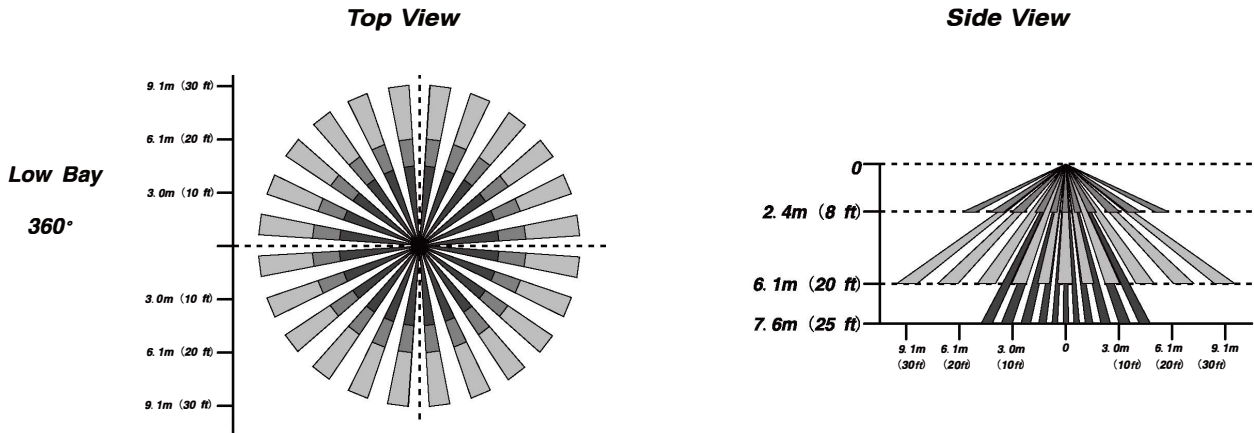


Mounting with Extender Module (EM1-2)

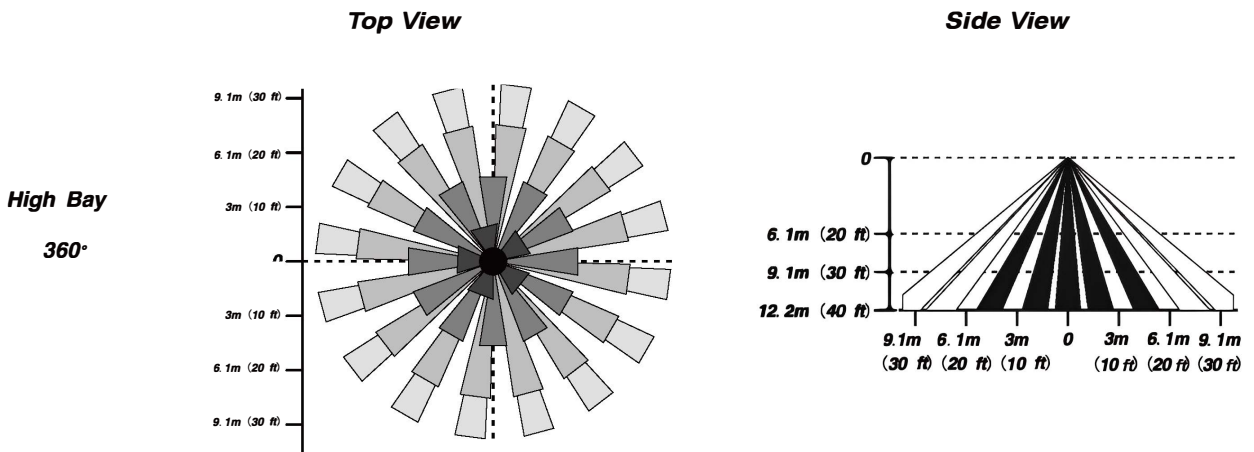


COVERAGE

L1 Lens



L2 Lens



WIRING

Sensor wiring with non-dimming ballast or LED driver.

ON/OFF SENSOR

