

# MDF036

## Wall Sconce

### Features

#### Housing:

- ◆ Die-formed Cold-rolled Steel
- ◆ Finish: -62 Satin Nickel

#### Optical:

- ◆ Shade: High Transmission Glass Create Excellent Light Distribution and Uniformity
- ◆ LED: High Efficiency, High CRI, Binned and Mixed to Reach Uniform Light

#### Electrical:

- ◆ High Power Factor, Low THD

#### Lamp:

- ◆ Integrate LED Module, Color Temperature Option - 3000K or 4000K

#### Certifications:

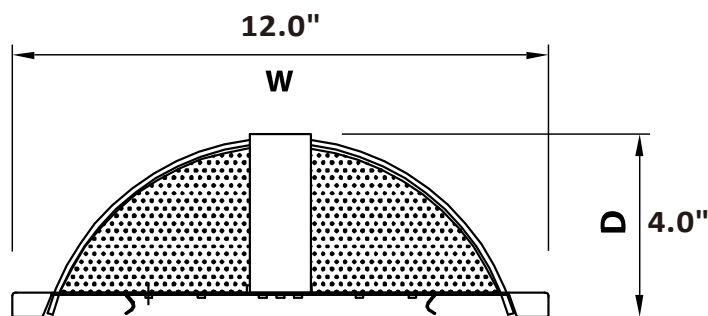
- ◆ UL/cUL, ETL/cETL Listed, Suitable for Damp Locations

#### Warranty:

- ◆ 5 Years Warranty on Driver and LED



### Dimensions



### LED Type

Model	Input Voltage	Input Wattage	Lumen (Type) / CRI	CCT	Finish	Shade	Dimension (H x W x D)	Energy Star
MDF036D-xxxxK	120V-277V	22W	1850/ > 80	3000K or 4000K	Satin Nickel	Frosted Glass	12.0" x 12.0" x 4.0"	Yes