

MDF035

Wall Sconce

Features

Housing:

- ◆ Die-formed Cold-rolled Steel
- ◆ Finish: -62 Satin Nickel
- ◆ ADA Compliant

Optical:

- ◆ Shade: High Transmission Glass Create Excellent Light Distribution and Uniformity
- ◆ LED: High Efficiency, High CRI, Binned and Mixed to Reach Uniform Light

Electrical:

- ◆ High Power Factor (0.99), Low THD

Lamp:

- ◆ Integrate LED Module, Color Temperature Options - 3000K or 4000K

Certifications:

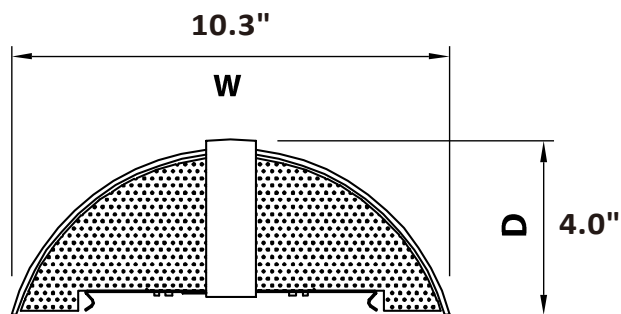
- ◆ UL/cUL or ETL/cETL Listed, Suitable for Damp Locations

Warranty:

- ◆ 5 Years Warranty on Driver and LED



Dimensions



LED Type

Model	Input Voltage	Input Wattage	Lumen (Type) / CRI	CCT	Finish	Shade	Dimension (H x W x D)	Energy Star
MDF035D-xxxxK	120V	15W	1150 / > 80	3000k or 4000k	Satin Nickel	Frosted Glass	11.5" x 10.3" x 4.0"	Yes