

MDF033

Wall Sconce

Features

Housing:

- ◆ Die-formed Cold-rolled Steel
- ◆ Finish: -62 Satin Nickel

Optical:

- ◆ Shade: High Transmission Acrylic Create Excellent Light Distribution and Uniformity

Electrical:

- ◆ High Power Factor, Low THD

Lamp:

- ◆ Integrate LED Module, Color Temperature - 4000K

Certifications:

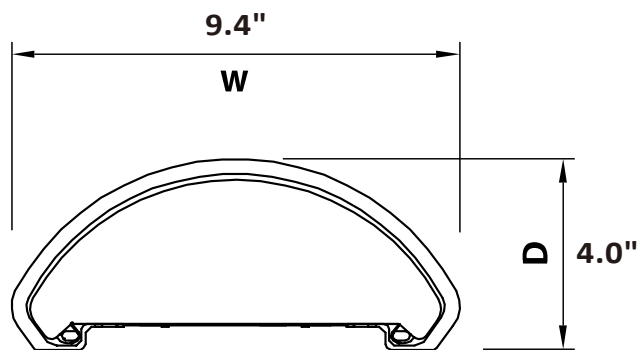
- ◆ UL/cUL, ETL/cETL Listed, Suitable for Damp Locations

Warranty:

- ◆ 5 Years Warranty on Driver and LED



Dimensions



LED Type

Model	Input Voltage	Input Wattage	Lumen (Type) / CRI	CCT	Finish	Shade	Dimension (H x W x D)	Energy Star
MDF033D-xxxxK	120V-277V	22W	2300 / > 80	4000k	Satin Nickel	Acrylic	10.5" x 9.4" x 4.0"	Yes