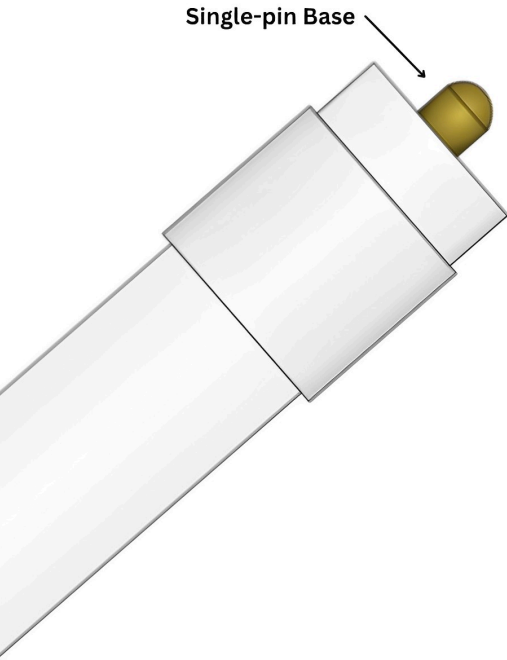


T8 LED TUBE QUICK BYPASS-BALLAST

40W LED Replacement for Fa8 8FT T8 (T12) Fluorescent Lamps

Type B - Double-Ended, Ballast Bypassed



DESCRIPTION

The 8 ft. T8 LED Tube is a 40W line driven (Type B, double-ended, ballast bypassed) linear T-LED replacement for an 8FT single pin (Fa8) T8 or T12 fluorescent lamp. Its built-in universal driver allows lamp operation at 100V ~ 277V.

This lamp emits beautiful LED light over 180° of its surface. It has a Color Rendering Index (CRI) of >80 and delivers up to 5,000 lumens of usable light. The T8 LED 8FT features an aluminum tube for improved optics and is available in 5000K color temperature.

The T8 8FT LED lamp may also replace a T12 fluorescent lamp. This lamp is rated at 50,000 hours and is backed by a five-year warranty. It contains no mercury, allowing for non-hazardous waste disposal.

This is a Type B (ballast bypassed) lamp and does not support fluorescent ballasts or LED drivers. All sockets are wired into AC line voltage.

FEATURES

- Replacement for T8 or T12 Lamps up to 75W with a 40W LED
- Quick Bypass (Type B, double-ended, ballast bypassed) Installation - supports line
- Input Voltage 100V-277V AC
- Delivers up to 5,000 lumens at ≥ 80 CRI
- 5000K CCT
- 50,000 hours life to L70 / 5-Year Warranty / P.C Shatter Guard

	Pin	Ballast	Length	Lumen	CRI	Power Factor	Color Temperature
8FT LED Tube Light	FA8	Bypassed Support (100V-277V)	96 inch tube	5,000lm	≥ 80	>0.95	5000K

T8 LED TUBE QUICK BYPASS-BALLAST

PRODUCT SPECIFICATION

Illumination

Color Temperature	5000K
Delivered Lumens	Up to 5,000lm
CRI	≥80
Lumen Maintenance	50,000+hours life

Electrical System

Power Factor	>0.9
CRI	Ra80
Input Voltage	100V~277V 50/60Hz AC
Lifespan	50,000+ hours life
Total Power	40W
Lamp Wattage Replaced	Up to 75W
Dimming	No

Physical Double Recessed Contact

Weight	0.55kg/pcs
Housing and Finish	Aluminum with PC Cover (Clear)
Beam Angle	180°

Environment

Ambient Operating Temp	-4°F to 113°F
Ambient Operating Humidity	Dry and Damp Certified

Installation

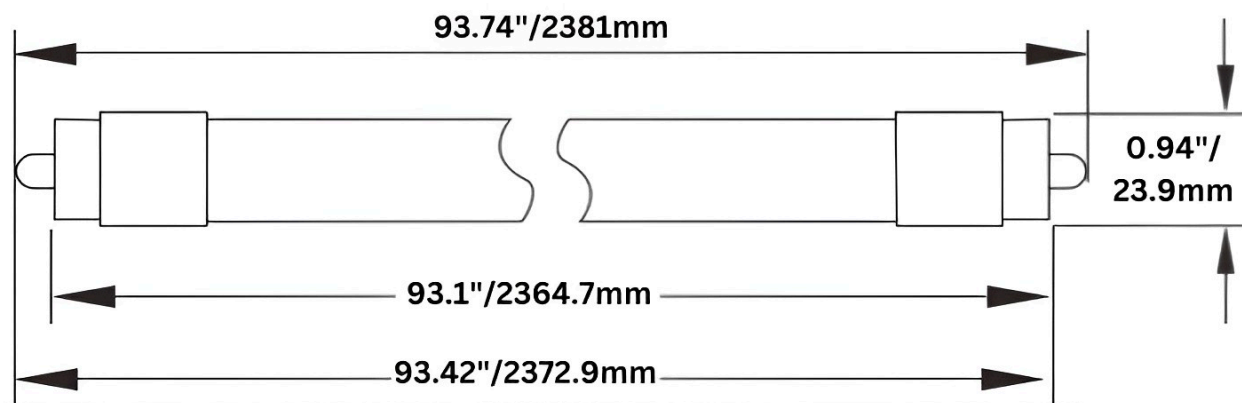
Line Voltage Ballast	Fa8 socket (Shunted)
Installation	Bypass Ballast

Certifications & Qualifications

FCC	Complies with Parts 15A/B
RoHS Compliant	Contains no led or mercury
Listed	No category

Warranty: 5 years

DIMENSION



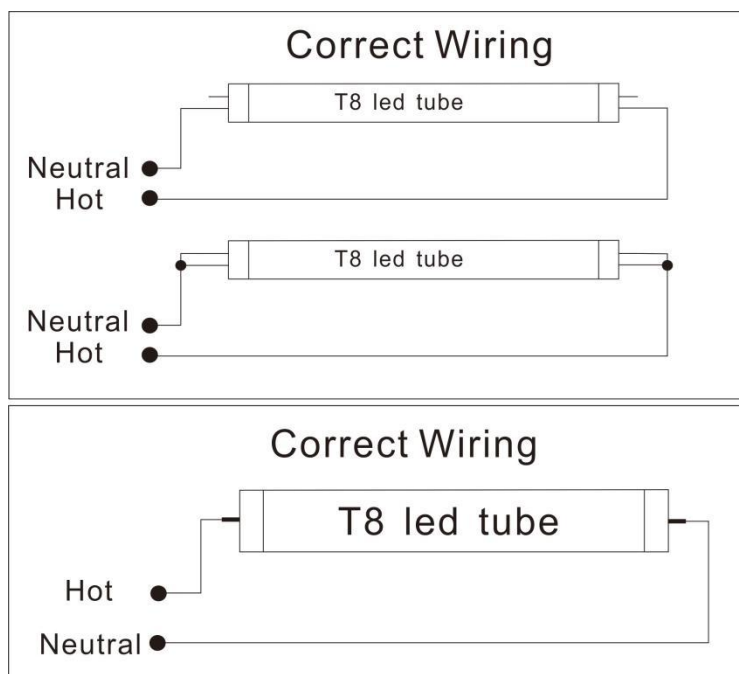
T8 LED TUBE QUICK BYPASS-BALLAST

Lamp installation in the following conditions and applications voids the product warranty:

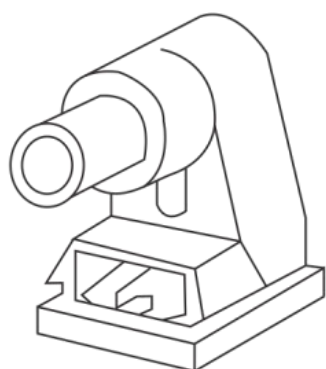
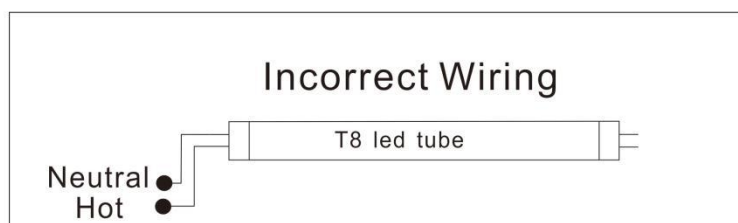
- Line voltage above 277VAC
- LED Drivers or with a ballast
- Gasketed, fully enclosed fixtures
- Installation in wet environments
- Installation in broken, cracked, dirty or rusted tombstones
- Improper wiring to the tombstones/lamp
- Total Power equals lamp power because the ballast has been bypassed or removed.

Double-Ended Electrical Connection & Single-Ended Electrical Connection

Double-Ended Wiring:



Single-Ended Wiring:



Socket Type

**Shunted
(Double-Ended Installation)**

CAUTION

Turn power off when installing the lamp.

CAUTION - IF THE LAMP OR LUMINAIRE EXHIBITS UNDESIRABLE OPERATION (BUZZING, FLICKERING, ETC.), IMMEDIATELY TURN OFF POWER, REMOVE LAMP FROM LUMINAIRE AND CONTACT MANUFACTURER.