



Item#: **60105**
LANDSCAPE LIGHTING
BRASS CATALINA NARROW FLOOD

The Catalina narrow flood is a heavy duty low voltage outdoor flood that uses a LED MR16 lamp. The Fixture head easily adjusts for precise lighting.

FEATURES

- PTFE 250C, 300V, Teflon wire with half strip included
- Silicone Wire Nuts are included
- Borosilicate heat resistant convex glass

APPLICATION

Ideal for wall washing, area illumination and landscape lighting.

ELECTRICAL

Supported Lamp Type	MR16
Voltage	12V
Base	GU5.3

LIGHTING PERFORMANCE

Beam Angle	Flood
Dimmable Lighting Control	

ENVIRONMENT

Suitable Location	WET
Ingress Protection Rating	IP65

LIFESPAN

Warranty (Years)	5
------------------	----------

CONSTRUCTION

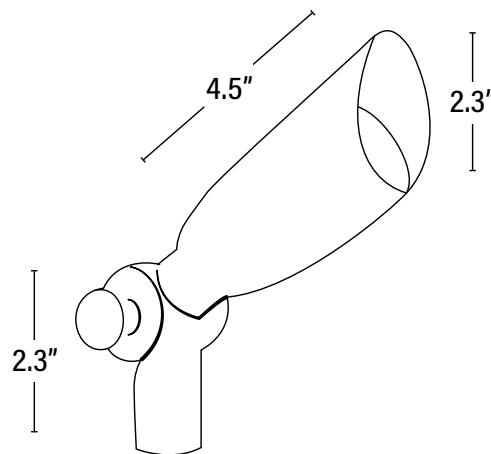
Housing	Brass
Lens	Glass / Clear
Base / Power Supply	Hard Wired
Finish	Bronze

Specifications are subject to change without notice.

PERFORMANCE DATA

DIMENSIONS (Inches)

Length (MOL)	4.5"
Width/Diameter (MOD)	2.3"
Weight (Lbs)	--



PACKAGING

		UPC	DIMENSIONS (LxWxH)	GROSS WEIGHT (Lbs)
Master Carton	20	10811768027850	--	--
Individual Box	1	811768027853	--	--
Country of Origin	China			
HS Tariff	9405.99.4090			