



Item#: 01105
LANDSCAPE LIGHTING
BRASS LAGUNA SMOOTH SMALL
HOODED PATHWAY

The Laguna pathway light is a heavy duty low voltage outdoor fixture.

FEATURES

- PTFE 250C, 300V, Teflon wire with half strip included
- Silicone Wire Nuts are included

APPLICATION

Ideal for parking lots, street and building perimeter lighting.

ELECTRICAL

Supported Lamp Type	JC
Voltage	12V
Base	G4

LIGHTING PERFORMANCE

Beam Angle	120°
Dimmable Lighting Control	

ENVIRONMENT

Suitable Location	WET
Ingress Protection Rating	IP44

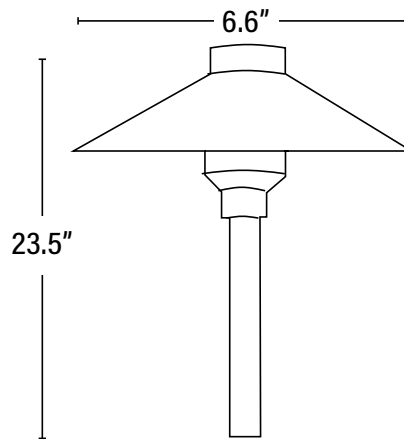
LIFESPAN

Warranty (Years)	5
------------------	----------

CONSTRUCTION

Housing	Brass
Lens	PC / Clear
Base / Power Supply	Hard Wired
Finish	Bronze

Specifications are subject to change without notice.



DIMENSIONS (Inches)

Length (MOL)	23.5"
Width/Diameter (MOD)	6.6"
Weight (Lbs)	--

PACKAGING

		UPC	DIMENSIONS (LxWxH)	GROSS WEIGHT (Lbs)
Master Carton	18	10811768027874	--	--
Individual Box	1	811768027877	--	--
Country of Origin	China			
HS Tariff	9405.99.4090			