

LED AREA LIGHTS - ALH SERIES

Introduction

- ◆ The Hand 10 is the latest generation Area Light that is highly cost effective and offers complete configurations. The Hand 10 delivers 11840 to 22500 lumens, which can replace 250W to 1000W HID luminaires.
- ◆ The Slipfitter, square or round pole arm, wall mount, and universal bracket are available. The Area Light fixtures require a single mount (sold separately) for installation.



80W/ 100W/ 120W/ 150W

Wattage Tunable

Features

Construction:

- ◆ The Hand 10 area light features a rugged die-cast aluminum body that uses heatsink and flow-through venting to provide optimal thermal management that both enhances LED performance and extends component life. The light housing is sealed against moisture and environmental contaminants. 3G vibration rated compact design minimizes wind load requirements. Low EPA, allowing pole optimization.

Electrical:

- ◆ Universal voltage AC120-277V with standard 10KV Surge protector
- ◆ Standard with 0-10V dimmable
- ◆ Power Factor : ≥ 0.95
- ◆ THD $\leq 20\%$
- ◆ Light engine is available in 4000K or 5000K CCT (CRI70) configuration

Optics:

- ◆ Type III distribution type

Finish:

- ◆ Standard color is dark bronze.

Ambient Temperature:

- ◆ -40°F to 113°F

Listing:

- ◆ UL Certified to meet U.S. and Canadian standards. Suitable for wet locations. Rated for -40°F minimum ambient. DesignLights Consortium® (DLC) Premium qualified product and DLC qualified product.

Warranty:

- ◆ 5-years limited warranty.



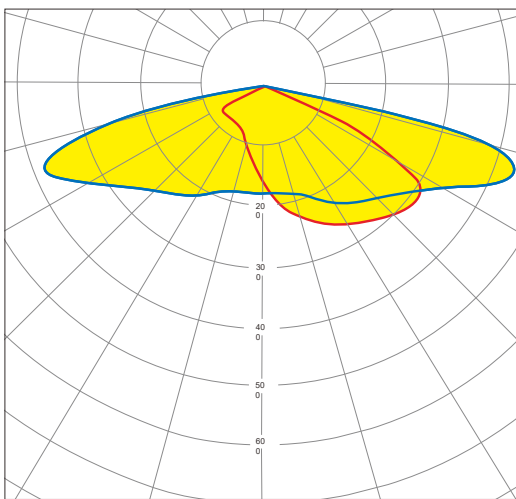
Specification

Watts	Voltage	Distribution Type	5000K, CRI70					4000K, CRI70				
			Lumens	B	U	G	LPW	Lumens	B	U	G	LPW
150W	120-277V	T3	22,500	3	0	3	150	22,200	3	0	3	148

Note: These parameters are based on the Selectable power and single CCT models.

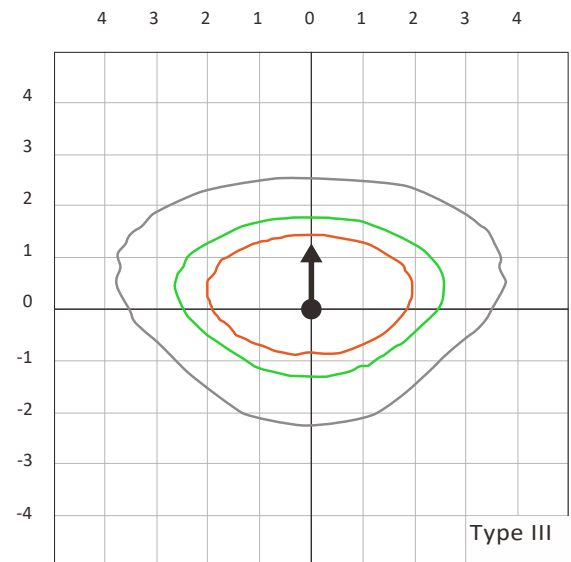
Photometric Diagrams

Type III



cd/klm

LEGEND



Type III

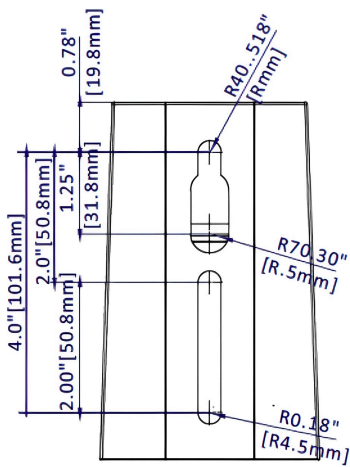
EPA (Square & Round Pole Arm)

*Includes luminaire and integral mounting arm. Other tenons, arms, brackets or other accessories are not included in this EPA data.

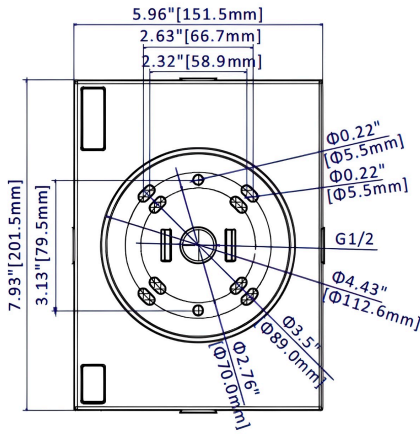
Mounting Type	Tilt	EPA (. ²)								
		Single	2@90	2@180	3@90	3@120	4@90	2 Side by Side	3 Side by Side	4 Side by Side
80W 100W 150W	0°	0.23	0.41	0.42	0.60	0.54	0.80	0.46	0.69	0.91
	10°	0.18	0.35	0.35	0.53	0.46	0.69	0.35	0.53	0.71
	20°	0.17	0.34	0.34	0.51	0.44	0.67	0.34	0.52	0.69
	30°	0.21	0.37	0.39	0.54	0.48	0.74	0.42	0.64	0.85
	40°	0.27	0.40	0.45	0.58	0.55	0.80	0.54	0.81	1.08
	45°	0.30	0.42	0.50	0.60	0.58	0.83	0.61	0.91	1.21
	50°	0.45	0.61	0.72	0.87	0.85	1.21	0.89	1.34	1.79
	60°	0.73	0.99	1.19	1.41	1.39	1.96	1.47	2.20	2.94
	70°	0.95	1.38	1.57	1.96	1.90	2.74	1.90	2.86	3.81
80°	1.13	1.71	1.89	2.45	2.36	3.40	2.26	3.40	4.53	
90°	1.28	1.99	2.18	2.86	2.77	3.96	2.57	3.85	5.14	

Mounting Information

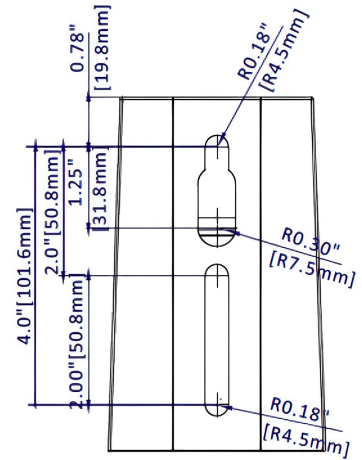
Square & Round Pole Mount



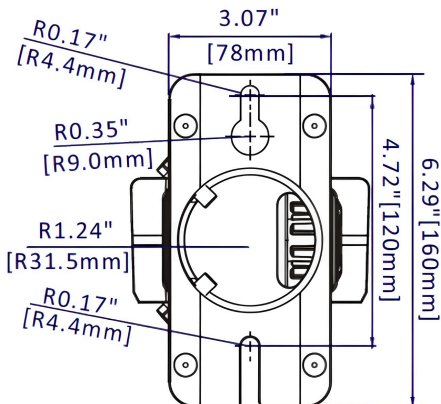
Wall Mount



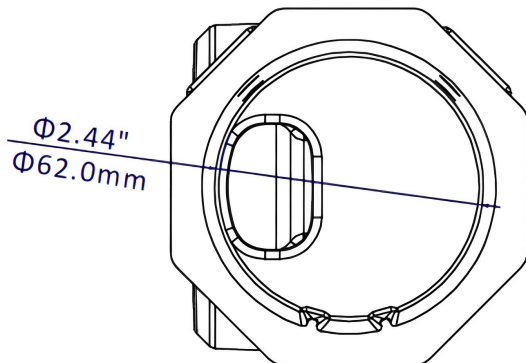
Adjustable Square & Round Pole Mount



Universal Bracket

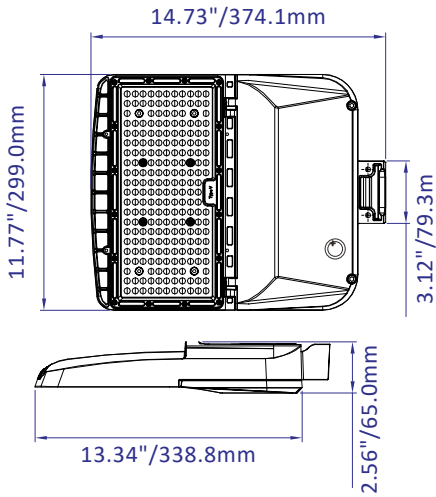


Slip Fitter Mount



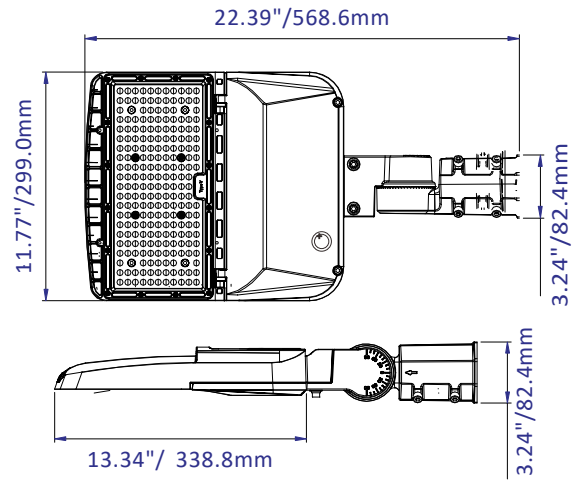
Dimensions & Weights

Without Mounting Bracket



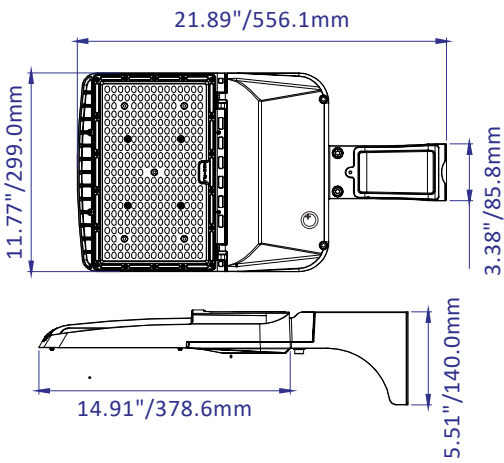
Net Weight: 7.2Lbs/3.25kgs

Slip Fitter Mount



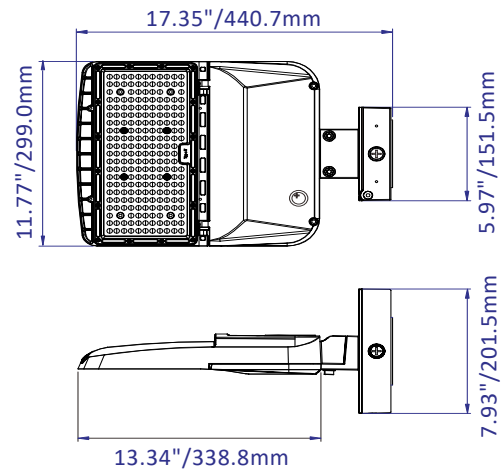
Net Weight: 9.6Lbs/4.35kgs

Square & Round Pole Mount



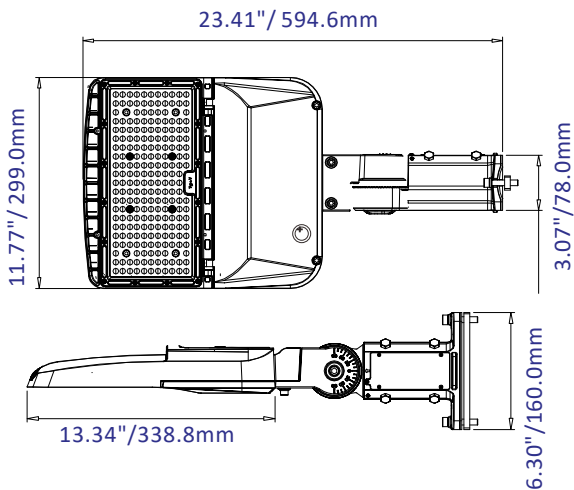
Net Weight: 9.2Lbs/4.19kg

Wall Mount



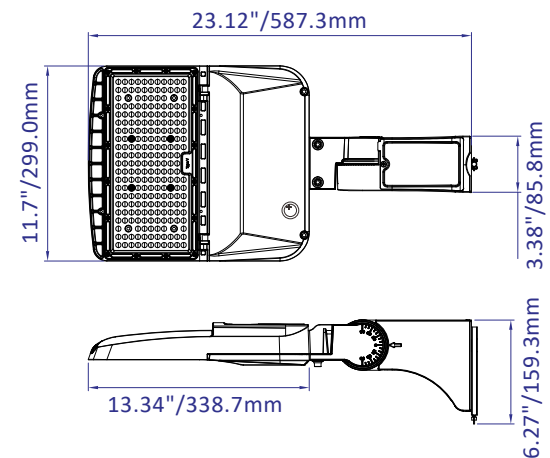
Net Weight: 9.0Lbs/4.40kgs

Universal Bracket



Net Weight: 10.6Lbs/4.80kgs

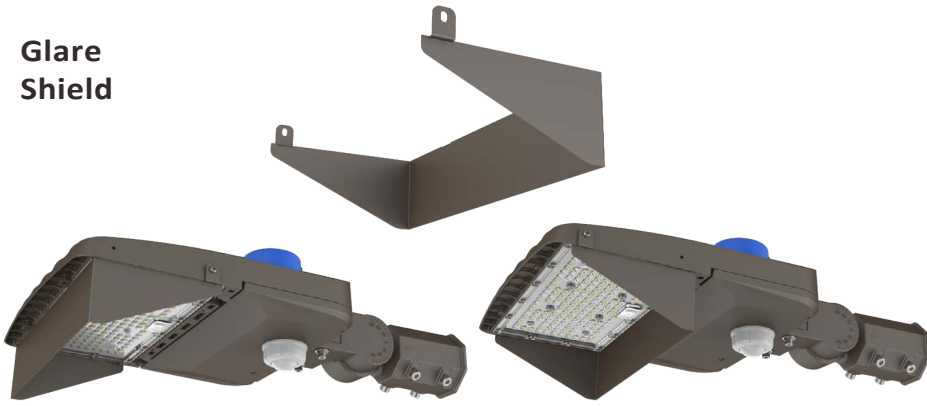
Adjustable Square & Round Pole Mount



Net Weight: 10.5Lbs/4.74kgs

Accessories

Glare Shield



External Half Glare Shield



External 360 Full Visor

Control Options



Photocell
120-277V



Shorting
Cap



PIR Motion Sensor
12V



Surge Protection Device
120-277V

The SPD is included as standard for wattage from 150W and higher