

SELECTABLE  
COLOR  
TEMPERATURE

Item#: **66838**  
**LED TONE-SELECT™**  
**DESIGNER SURFACE MOUNT**  
**INDOOR FIXTURE**

### FEATURES

- Selectable color temperature
- LED surface mount fixture provides glare free illumination and even light distribution with a clean, modern look.
- Diffusing lens
- Low profile design
- Title 24 - JA8 Compliant

### APPLICATION

Ideal for retrofitting inefficient fixtures in malls, hospitals, airports, offices, hallways, lobbies and other residential and commercial applications.

### ELECTRICAL

Wattage	12W
Voltage	120V
Current	0.11A
Power Factor	0.9

### LIGHTING PERFORMANCE

Lumens	840
Lumens Per Watt (LPW)	70
Color Temperature (CCT)	30K / 40K / 50K
Color Rendering (CRI)	90
R9 (Red Value)	--
Beam Angle	120°
Light Distribution	Type II, Very Short
BUG Rating (Backlight, Uplight, and Glare)	B0 - U1 - G0
Dimmable Lighting Control	<i>Dimmable</i> see compatibility report

### ENVIRONMENT

Operating Temperature	-4° ~ 104°F
Suitable Location	<b>DAMP</b> Indoor / Covered Ceilings
Ingress Protection Rating	IP20

### LIFESPAN

Average Life (Hours)	50,000
Warranty (Years)	<b>5</b>

### COMPONENTS

LED Light Source	SMD 2835
Driver	Internal

### CONSTRUCTION

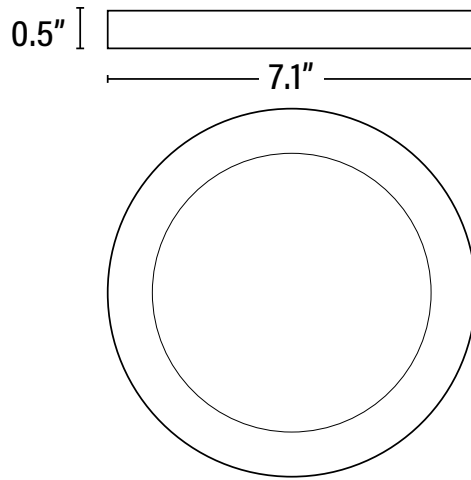
Housing	--
Lens	--
Base / Power Supply	Hard Wired
Finish	White

### QUALIFICATIONS



*Published lumens on LED products are approximate and may vary slightly. • Specifications are subject to change without notice.*

**Item#: 66838**  
**LED TONE-SELECT™ DESIGNER SURFACE MOUNT**



**DIMENSIONS** (Inches)

Width/Diameter (MOD)	7.1"
Height	0.5"
Net Weight (Lbs)	0.7

<b>PACKAGING</b>		<b>UPC</b>	<b>DIMENSIONS</b> (LxWxH)	<b>GROSS WEIGHT</b> (Lbs)
Master Carton	40	10811768029663	16.5" x 14.6" x 15.4"	40.7
Individual Box	1	811768029666	7.9" x 7.3" x 1.3"	1
Country of Origin	China			
HS Tariff	9405.99.4090			