

Item#: **95755**  
**LED 4' SPEC-SELECT™**  
**ARCHITECTURAL DESIGNER STRIP**  
**DIRECT LINEAR AMBIENT LUMINARIES**

### FEATURES

Spec-Select™ Architectural Designer Strips are like 9 fixtures in 1, featuring adjustable wattage and color temperature for the perfect balance of light in any application.

- Adjustable Wattage (3 settings)
- Adjustable Color (3 settings)
- Integrated Sensor Option (ISO). *Sensor and elbow sold separately.*
- Easy installation.

### APPLICATION

Ideal for larger warehouses, retail applications, commercial buildings and work areas.

### ELECTRICAL

Wattage	34W / 38W / 45W
Voltage	120-277V
Current	45W @ 120V = 0.375A
Power Factor	0.9
Total Harmonic Distortion (THD)	8.6

### LIGHTING PERFORMANCE

Lumens	4420 / 4940 / 5850
Lumens Per Watt (LPW)	130
Color Temperature (CCT)	3500K / 4100K / 5000K
Color Rendering (CRI)	81
R9 (Red Value)	4
Beam Angle	130°
Light Distribution	Type II, Very Short
BUG Rating (Backlight, Uplight, and Glare)	B2 - U3 - G2
Dimmable Lighting Control	From optional 12VDC sensor, or customer 0-10V controls.

### ENVIRONMENT

Operating Temperature	-4 ~ 122°F
Suitable Location	<b>DAMP</b>
Ingress Protection Rating	IP40

### LIFESPAN

Average Life (Hours)	50,000
Warranty (Years)	<b>5</b>

### COMPONENTS

LED Light Source	Bridgelux
Driver	SIF40-I1000-SS
Sensor Socket	12VDC AUX.

### CONSTRUCTION

Housing	Aluminum
Lens	Frosted
Base / Power Supply	Hard Wired
Finish	White

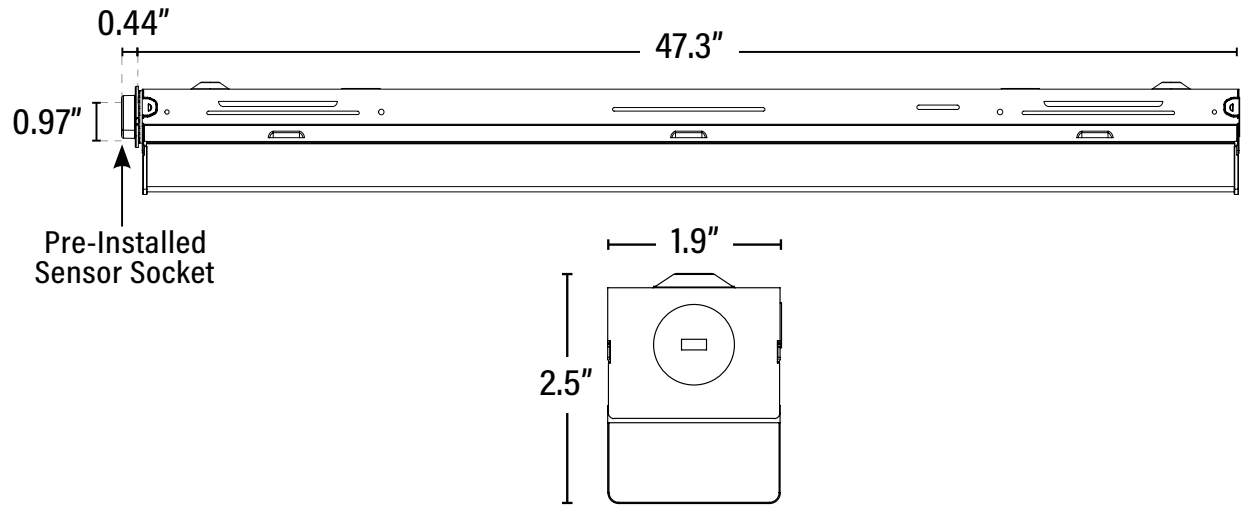
### QUALIFICATIONS



Visit [www.designlights.org/search](http://www.designlights.org/search) to confirm qualification. • Published lumens on LED products are approximate and may vary slightly. • Specifications are subject to change without notice.

Item#: **95755**  
**LED 4' SPEC-SELECT™**  
**ARCHITECTURAL DESIGNER STRIP**

ITEM INFORMATION



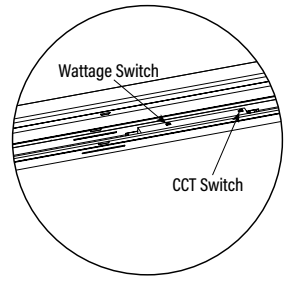
**DIMENSIONS** (Inches)

Length	47.3"
Width	1.9"
Height	2.5"
Net Weight (Lbs)	--

PACKAGING		UPC	DIMENSIONS (LxWxH)	GROSS WEIGHT (Lbs)
Master Carton	6	10811768022909	49.3" x 7.2" x 8.7"	--
Individual Box	1	811768022902	48.6" x 2.2" x 2.7"	--
Country of Origin	China			
HS Tariff	--			

**ADDITIONAL INFORMATION:**

- Default settings; 34W, 5000K.
- The color temperature and wattage may be adjusted by two slide switches integrated into the driver. For additional information refer to the install instructions.



Photos and drawings may not be to scale and are for general reference only.