



Item#: **65755**  
**LED 2X4 SPEC-SELECT™**  
**BACK-LIT PANEL**

**2X4 LUMINARIES FOR AMBIENT LIGHTING  
 OF INTERIOR COMMERCIAL SPACES**

### FEATURES

Spec-Select™ Backlit energy-efficient LED panels are like 9 fixtures in 1, and can provide the perfect balance of light in any application.

- Adjustable Wattage (3 settings)
- Adjustable Color (3 settings)

### APPLICATION

Ideal for retrofitting inefficient fixtures in malls, hospitals, airports, offices, lobbies and other residential and commercial applications.

### ELECTRICAL

Wattage	30W / 40W / 50W
Voltage	120-277V
Current	0.42-0.18A
Power Factor	0.9
Total Harmonic Distortion (THD)	10.3

### LIGHTING PERFORMANCE

Lumens	3330 / 4440 / 5550
Lumens Per Watt (LPW)	111
Color Temperature (CCT)	3500K / 4100K / 5000K
Color Rendering (CRI)	82
R9 (Red Value)	5
Beam Angle	120°
Light Distribution	Type VS
BUG Rating (Backlight, Uplight, and Glare)	B2 - U1 - G1
Dimmable Lighting Control	<i>Dimmable</i> 0-10V, Range 10% - 100%

### ENVIRONMENT

Operating Temperature	-4° ~ 113°F
Suitable Location	<b>DAMP</b>
Ingress Protection Rating	IP40

### LIFESPAN

Average Life (Hours)	50,000
Warranty (Years)	<b>5</b>

### COMPONENTS

LED Light Source	Bridgelux 2835
Driver	SIF50-I1250

### CONSTRUCTION

Housing	Aluminum
Lens	Frosted
Base / Power Supply	Hard Wired
Finish	White

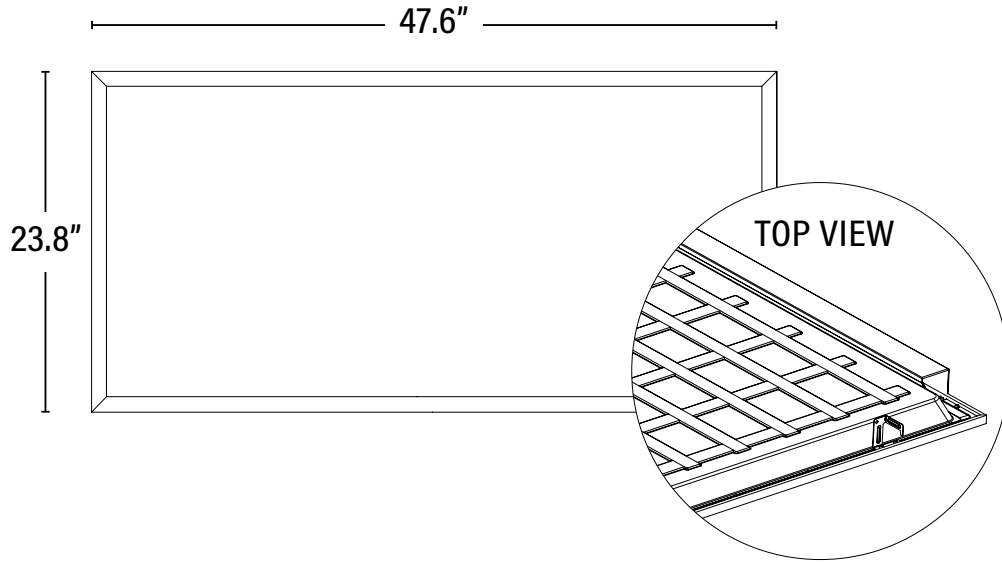
### QUALIFICATIONS



Visit [www.designlights.org/search](http://www.designlights.org/search) to confirm qualification. • Published lumens on LED products are approximate and may vary slightly. • Specifications are subject to change without notice.

Item#: **65755**  
**LED 2X4 SPEC-SELECT™ BACK-LIT PANEL**

ITEM INFORMATION



**DIMENSIONS** (Inches)

Length	47.6"
Width	23.8"
Height	1.6"
Weight (Lbs)	--

**PACKAGING**

		UPC	DIMENSIONS (LxWxH)	GROSS WEIGHT (Lbs)
Master Carton	2	10811768024262	49.2" x 25.6" x 3.2"	--
Individual Box	1	811768024265	N/A	--
Country of Origin	China			
HS Tariff	--			

**ADDITIONAL INFORMATION:**

- Default settings; 30W, 5000K.
- The color temperature and wattage may be adjusted by two slide switches integrated into the driver, selection should be made prior to installation.

