

# LED Vapor Tight High Bay - VTW SERIES

## NSF Certified Food Safety Light with Selectable CCT & Lumen

### Introduction

- ◆ The VTW series vapor tight luminaire feature a slim and modern design. It has best-in-class performance at up to 178lm/w output. They feature a smooth dust-proof surface with a water tight seal that can withstand high-pressure washdowns.
- ◆ It is also NSF certified for use in food processing and food safety environments. Applications include poultry processing, food & beverage processing, commercial kitchens, and manufacturing facilities.
- ◆ The VTW Series can be surface mounted to the ceiling or wall.



### Features

#### Construction:

- ◆ Rugged and durable construction with plastic housing.

#### Electrical:

- ◆ 0-10V dimmable driver, which can dim from 100% down to off.
- ◆ The Input voltage is AC120-277V.
- ◆ 3ft (36") long power cord provided for easier installation. The power cord is in the lamp body and needs to be led out by yourself.

#### Optics:

- ◆ Selectable CCT 3500K, 4000K or 5000K (Default setting), CRI >80.
- ◆ UV-stabilized, high-impact, frosted polycarbonate lens for uniform light output and high impact resistance.

#### Finish:

- ◆ Housing is permanent pearl gray color.

#### Mounting:

- ◆ Comes with surface mounting kit.

#### Ambient Temperature:

- ◆ -40°F to 113°F.

#### Compliances:

- ◆ NSF certified for food processing.
- ◆ cULus listed for wet locations.
- ◆ DLC® (DesignLights Consortium) Qualified. Please refer to the DLC website for specific product qualifications at [www.designlights.org](http://www.designlights.org).

#### Warranty:

- ◆ 5-years limited warranty.

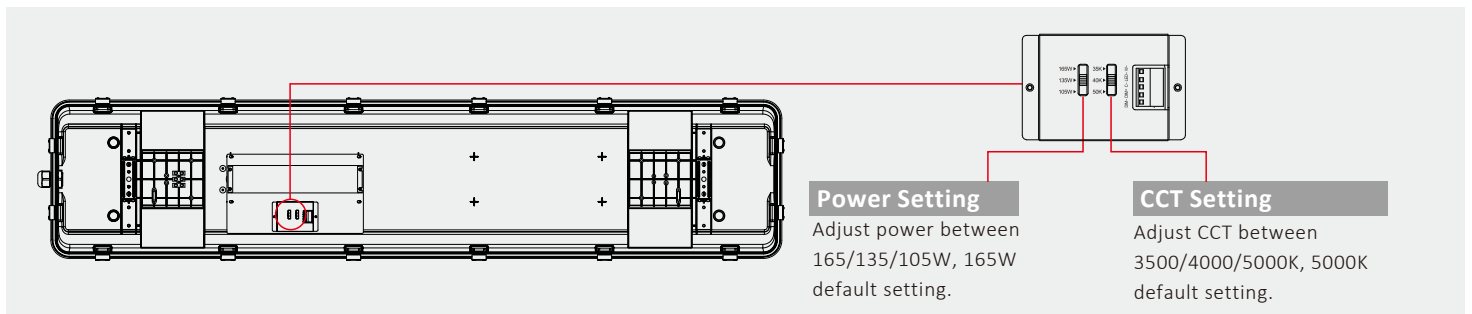


## Performance Data

Lumen values are based on 120V AC input product configuration, contact for performance data on any configurations not shown here.

Model	Lumen Level	Wattage Selectable	Nominal CCT	CCT Selectable	Lumens	Watts	LPW	CRI
X-VTW165135105W-354050K-UV	1	YES	3500K	YES	16900	105	161	>80
			4000K		18650	105	178	
			5000K		17250	105	165	
	2		3500K		20900	135	155	
			4000K		23100	135	171	
			5000K		21350	135	158	
	3		3500K		24750	165	150	
			4000K		27400	165	166	
			5000K		25350	165	154	

## Power Selection and CCT Selection Capability



Note: Before Setting Power & CCT, release latches by pulling top of latch away from housing. Gently squeeze the buckle in and take out the PCB board (be careful not to touch the LEDs).

## Electrical Data

Model Series	Wattage (W)	Current (A)				
		Input Voltage (V)				
		120	208	240	277	347
XS-VTW165135105W-354050K-UV	105	0.97	0.56	0.49	0.42	0.34
	135	1.25	0.72	0.63	0.54	0.43
	165	1.53	0.88	0.76	0.66	0.53

## Dimension

