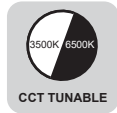




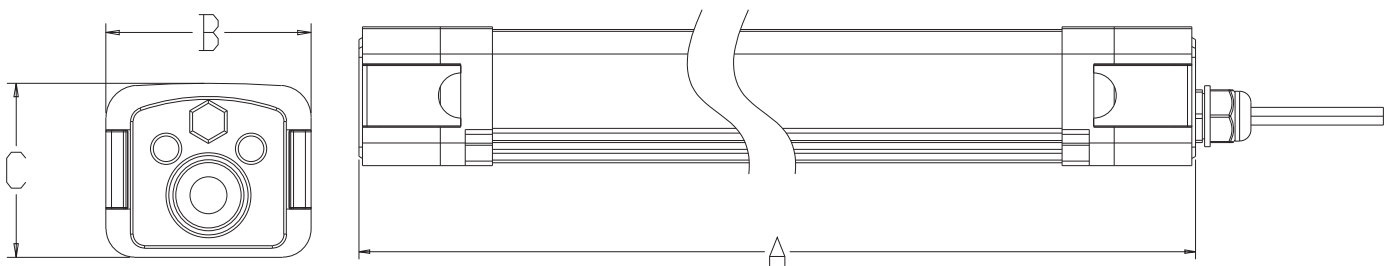
# LED Linear Vapor Tight Lights



## Product Features

- FCC, ETL, & DLC listed
- Power optional: 4FT 30W-35W-40W
- Lumen efficiency: 140lm/w
- Input voltage: 100-277VAC
- Surface mounting installation
- IP65 wet rated
- 5-year warranty

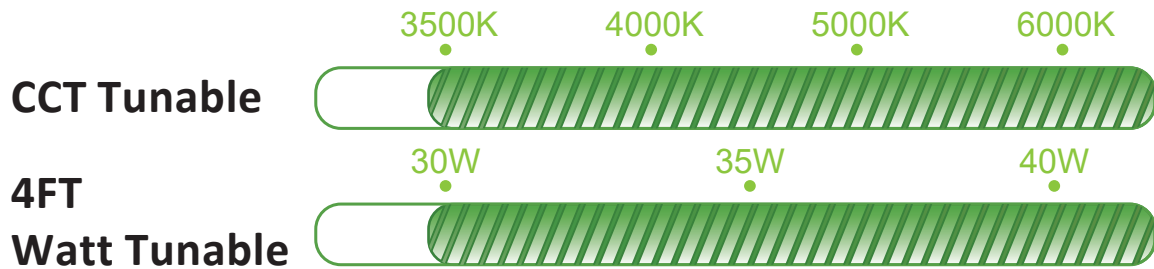
## Dimension



Mode	Size	A (inch)(mm)	B (inch)(mm)	C (inch)(mm)
GIE-VT-4FT-40W-L-H	4FT	47.24" (1200 mm)	2.91" (74 mm)	2.44" (62 mm)

# Specification

Mode	Size	Power	Input Voltage	Dimmable	PF	Light Efficacy	Ra	CCT
GIE-VT-4FT-40W-L-H	4FT	30/35/40W	AC100-277V	0-10V	>0.9	140lm/w	80	3500/4000/5000/6000K



# Installation

## Surface Mounted Installation

1. Fix the buckles in parallel by screws with distance matching the slots on each side of strip light.

The diagram shows a perspective view of a surface with two buckles being attached. Red dashed lines indicate the screws being inserted into the buckles. A label 'buckle' points to one of the buckles.

2. Connet AC wire to the light and make it water-proof.

The diagram shows a long, thin light fixture with a waterproof connector at one end. A red arrow points to the connector. A legend below the fixture shows three wires: AC L (Black), AC N (White), and AC (Green), all connected to a single 'AC power connect (AC100-277V)' terminal.

3. Open the blocking head. Then adjust the dip switch.

The diagram shows the light fixture with a blocking head being removed. A dip switch is shown being adjusted. A legend below the fixture lists the switch settings: 'Watt Tunable Switch 1 = 3 different power: 4ft: 30W 35W 40W' and 'CCT Tunable Switch 2 = 3500K 4000K 5000K 6000K'. Labels 'Switch 1' and 'Switch 2' point to the respective switches.

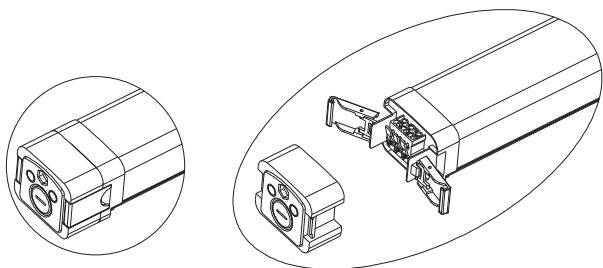
4. Installation completed. Stuck the lamp with a buckle, and fix it with buckle screw.

The diagram shows the light fixture being inserted into a buckle that has been fixed to the surface. A red arrow points to the buckle.

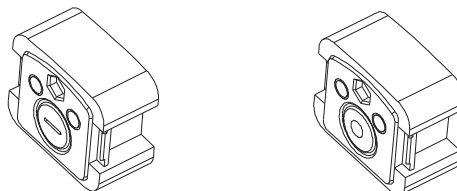
# Installation

## Connection Instruction

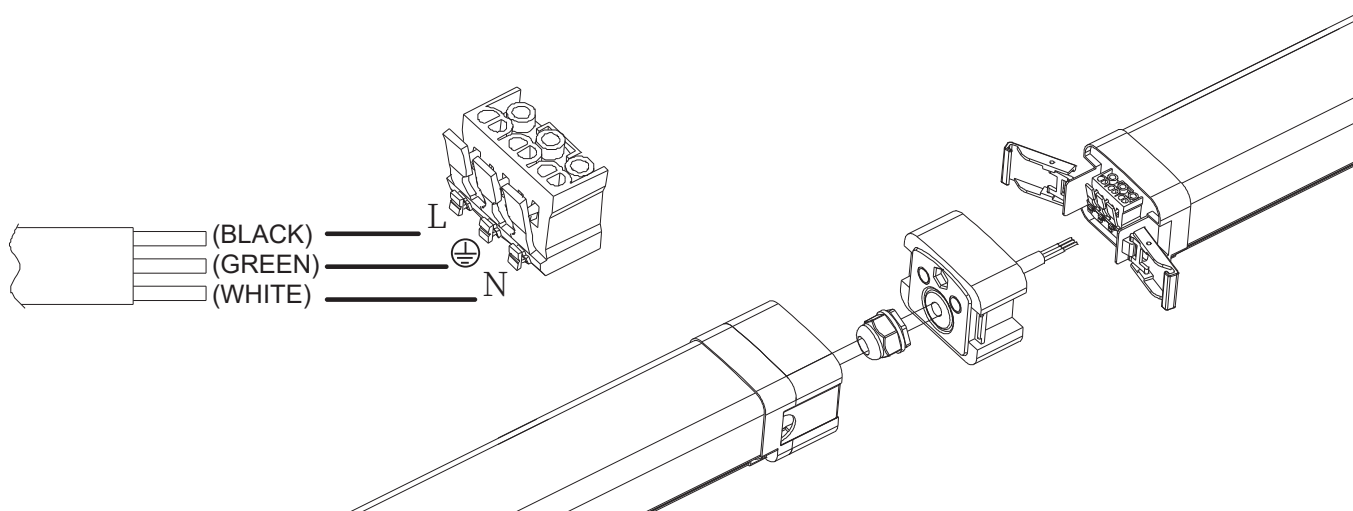
1. Open the end cap by pulling the fastener.



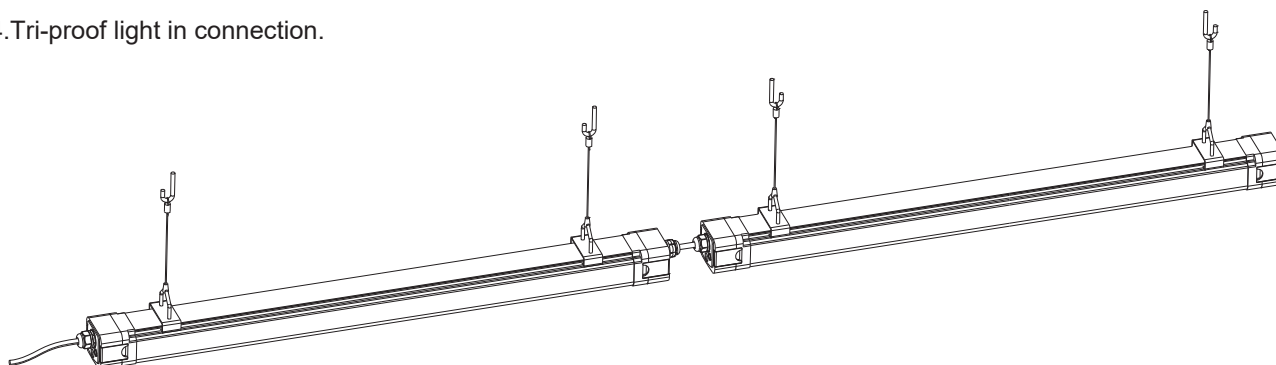
2. Waterproof end cap with connector.



3. Put the AC cable into the waterproof end cap of another Tri-proof light. After wiring, Close the end cap and twist tight the waterproof connector.



4. Tri-proof light in connection.



◆ ————— ◆  
**The Installation must be carried out by a qualified electrician.**  
◆ ————— ◆





## Notes

1. The installation and maintenance must be completed by electricians or professionals.
2. Please cut off the power before installation and maintenance.
3. The fixture is not allowed to be covered thermally insulating material.
4. Working temperature:  $-4^{\circ}\text{F}$  to  $104^{\circ}\text{F}$ , storage temperature:  $-22^{\circ}\text{F}$  to  $140^{\circ}\text{F}$ .