



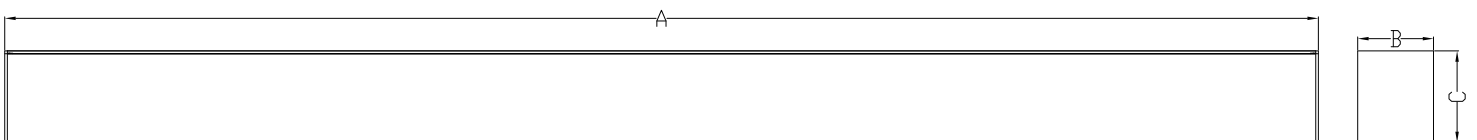
## **LED Linear Hanging (Suspended) Light**



## Product Features

- ETL, CETL & DLC listed
- 4ft 40W-45W-50W
- Lumen efficiency: 130lm/w
- 0-10V dimmable driver
- Input voltage: 100-277VAC
- Suspension mounting installation
- 5-year warranty

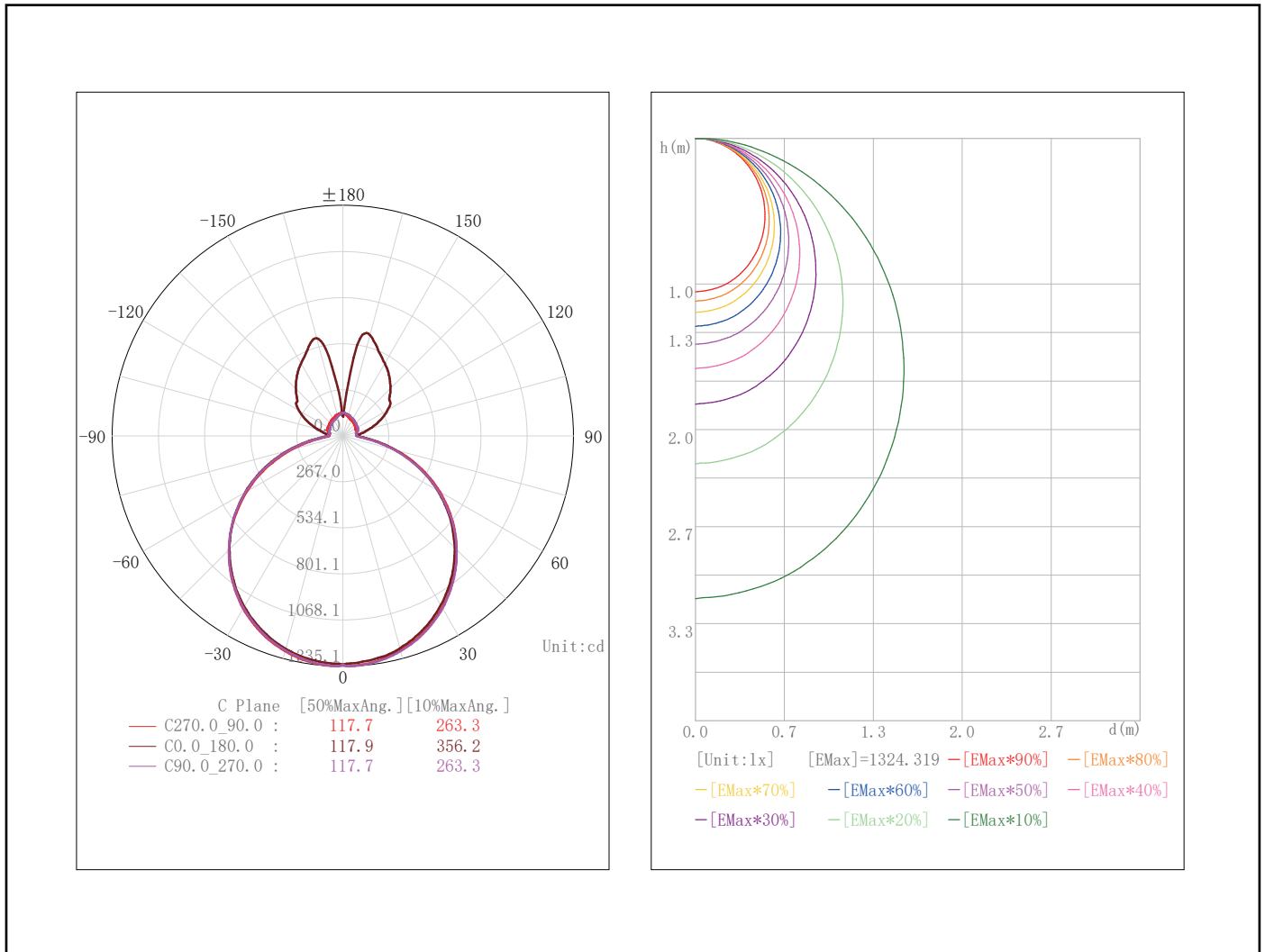
## Dimension



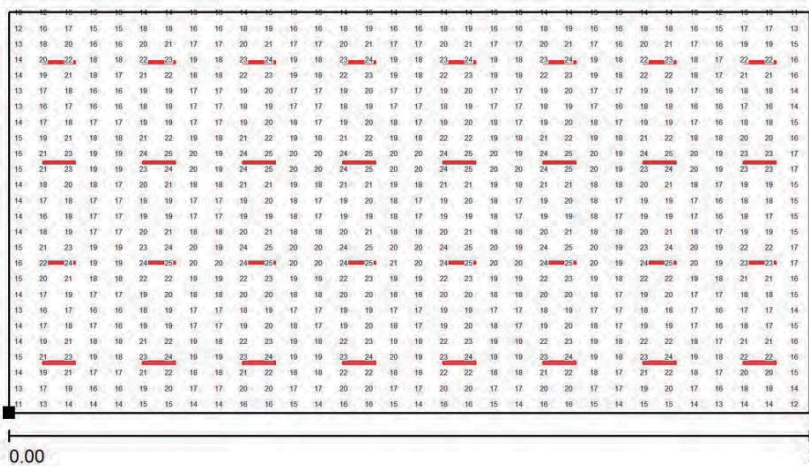
Model	Size	A	B	C
GIE-LF-4FT-50W-L-H	4FT	47.56in/1208mm	2.76in/70mm	3.28in/82mm

# Testing Report

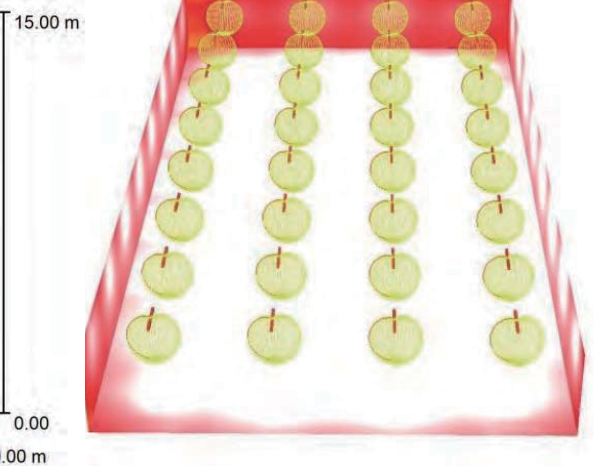
## LUMINOUS INTENSITY DISTRIBUTION DIAGRAM



## Simulation Chart



Line Graph



Thermal Imaging

# Specification

Model	Size	Power	Input Voltage	Dimmable	PF	Efficacy	Ra	CCT
GIE-LF-4FT-50W-L-H	4FT	40/45/50W	AC100-277V	0-10V	>0.9	130lm/w	80	3500/4000/5000/6500K

## CCT Tunable



## 4FT Watt Tunable

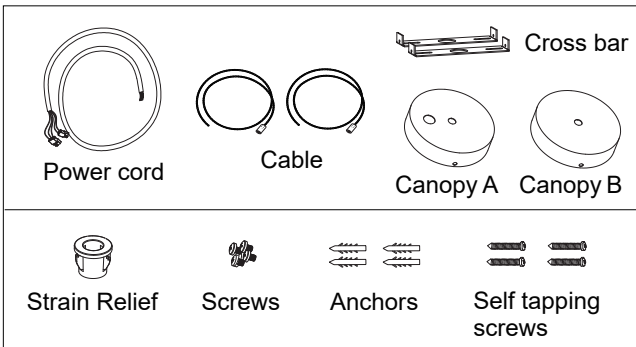


# Installation

## Pendant Mounting, Drywall Ceiling (Offgrid)

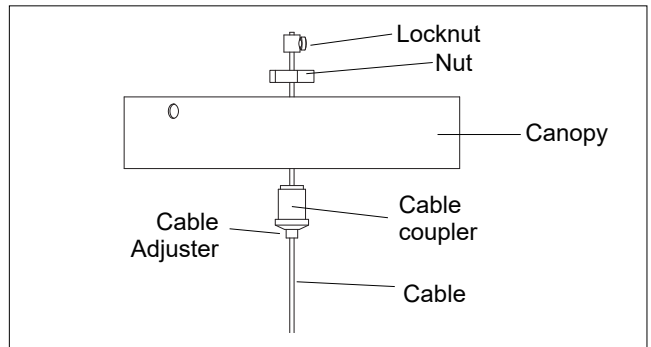
### 1. Preparation

Take out the fixture and accessories package from the box.



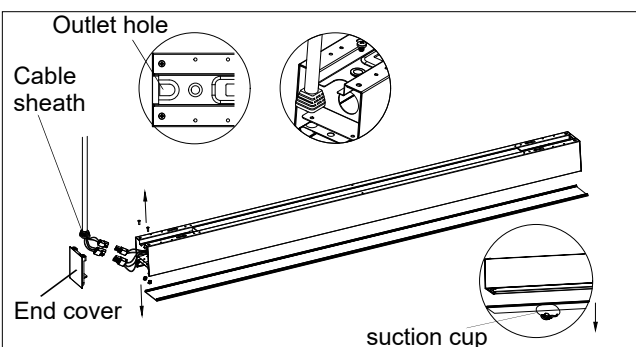
### 2. Fix cable to canopies

Release locknut, pass the cable through the canopy A and tighten the nut to fix the cable. Repeat to fix cable to canopy B.



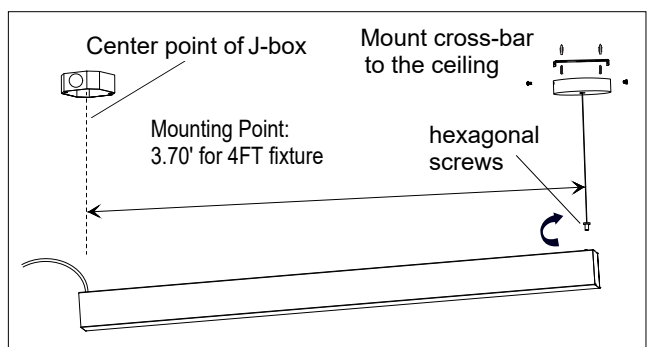
### 3. Attach power cord to the fixture

Remove down-light lens with suction cup. Remove the end-cover nearby the outlet hole by removing the 4 screws as shown. Connect power cord to the connector inside housing and fix it to outlet hole with Rubber cable sheath. Then reinstall the end cover.



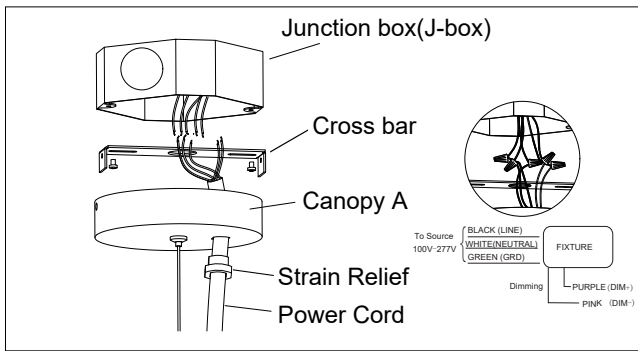
### 4. Install canopy B and hang the fixture right end

Install the canopy B after positioning the mounting holes with positioning plate. Hang the right end of fixture with cable and adjust to desired height. Make sure that the fixture is securely hung.



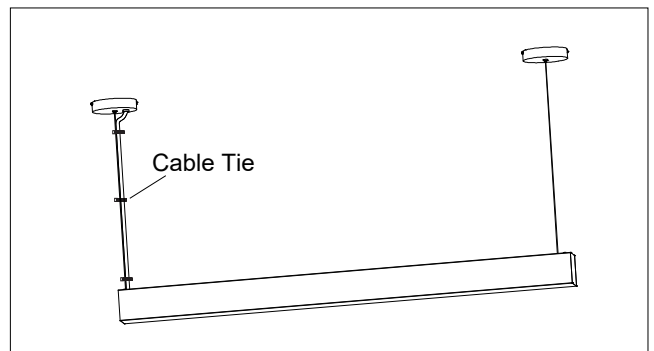
## 5. Install canopy A

Pass power cord through the canopy A and connect it to main power wires. Mount the cross-bar onto J-box and fix canopy A to the cross bar to cover the J-box.



## 6. Hang the fixture left end

Make sure that the fixture is securely hung. The installation is completed.



## CAUTION

Please isolate two dimming wires (pink and purple) by P2 terminal individually if no need dimming; MUST connect wires with corresponding colors.

## Notes

1. The installation and maintenance must be completed by electricians or professionals.
2. Please cut off the power before installation and maintenance.
3. The fixture is not allowed to be covered thermally insulating material.
4. Please keep away from the corrosive substance and keep the fixture clean and dry.
5. Working temperature: -4°F to 104°F, storage temperature: -22°F to 140°F.