

LED LINEAR LIGHT

LS01



DESCRIPTION

The LS01 series is a rugged, reliable, versatile and durable compact LED Strip Light. The specially designed optical system can effectively reduce glare and provide comfortable illumination effect. The use of reliable and durable roll sheet metal bottom shell contributes to longer service life and increased efficiency. The SP05 also offers field-adjustable lumen output in three gears: 100%, 80%, 60%; CCT options are available in three color temperatures, 3500K, 4000K and 5000K. Both are operated by a simple DIP switch. This will significantly reduce the customer's SKU and thus achieve a budget-friendly purpose.

SPECIFICATION FEATURES

Construction

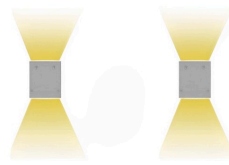
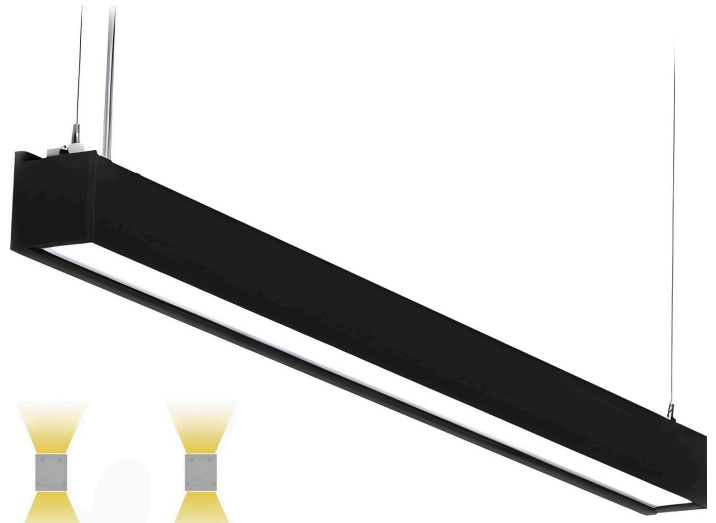
- The rugged, one-piece roll sheet metal bottom shell housing features a rock-solid quality and performance.
- The LED module and driver are I-separated and extend service life.
- The compact design saves labor cost and improves installation efficiency.
- Innovative contractor-friendly packaging makes installation faster.

Optics

- Light engines are available in color selectable version, the CCT can be changed to three CCTs (3500K, 4000K, 5000K).
- Prismatic translucent lens is designed to shape the light uniformity.

Electrical

- Universal 120-277VAC input voltage.
- Wattage adjustable: 100%, 80%, 60%.
- 0-10V dimming standard for a dimming range of 100% to 10%.
- Operating Temperature Range: -40°F to 113°F.



Installation

- Surface mount.

Lifespan

- Estimated 50,000-hour LED lifespan based on IES LM-80 results and TM-21 calculations.

Certifications

- UL cUL DLC damp location listed.

Warranty

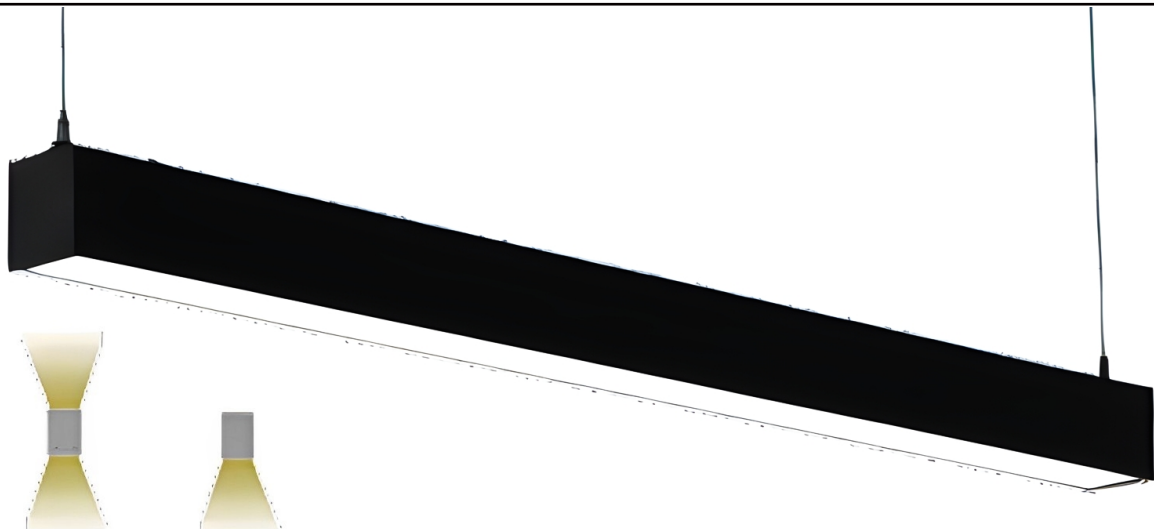
- Five-year warranty.

Applications

- Subtle aesthetic that meets most office ceiling application needs, It is ideal for office spaces, supermarkets, and meeting rooms.

Note

- Actual performance may differ as a result of end-user environment and application. All values are design or typical values, measured under laboratory conditions at 77°F specifications subject to change without notice.



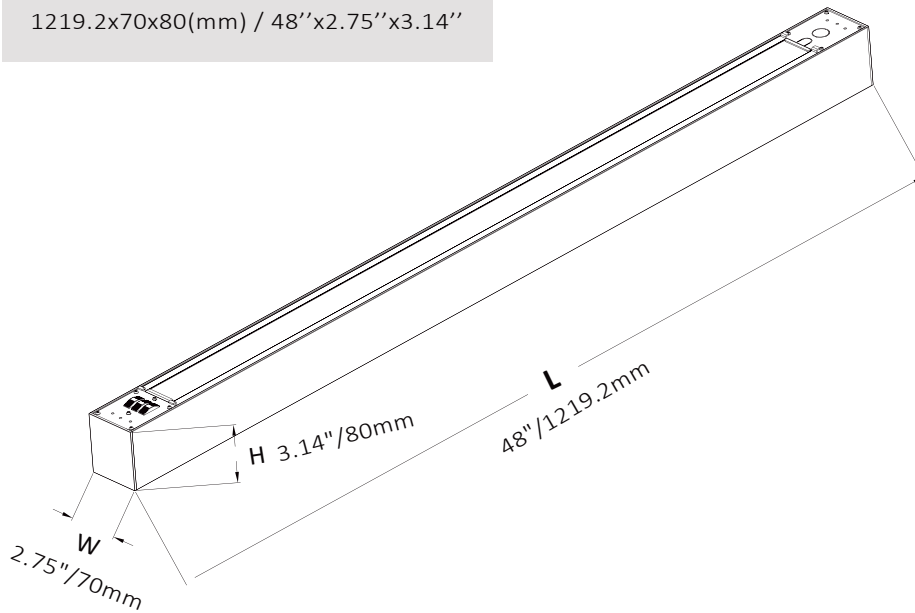
PERFORMANCE DATA

JEN-LS01-4FT50/40/30W-H-TX-BK							
SETTING	SYSTEM WATTS	3500K		4000K		5000K	
		LUMENS (80CRI)	LPW	LUMENS (80CRI)	LPW	LUMENS (80CRI)	LPW
100%	50W	5750lm	115lm/W	5750lm	115lm/W	5750lm	115lm/W
80%	40W	4600lm	115lm/W	4600lm	115lm/W	4600lm	115lm/W
60%	30W	3450lm	115lm/W	3450lm	115lm/W	3450lm	115lm/W

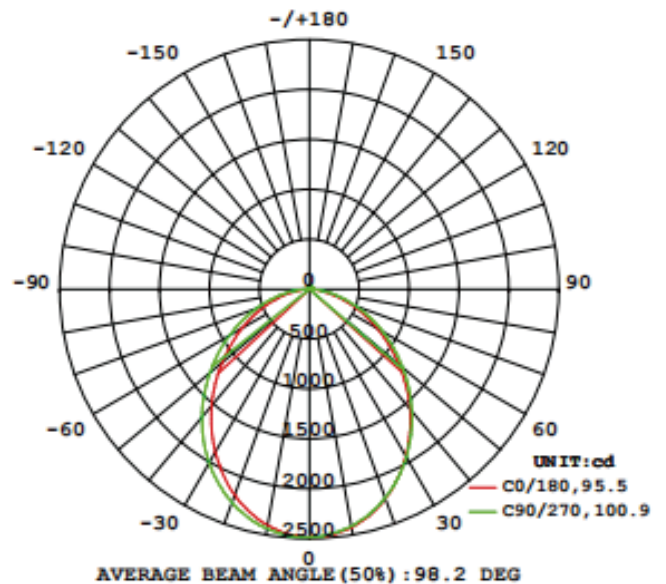
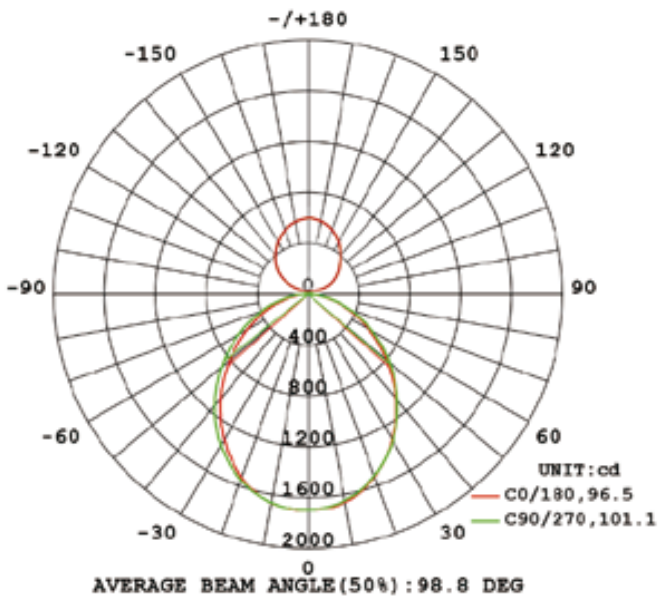
DIMENSION

unit: mm/inch

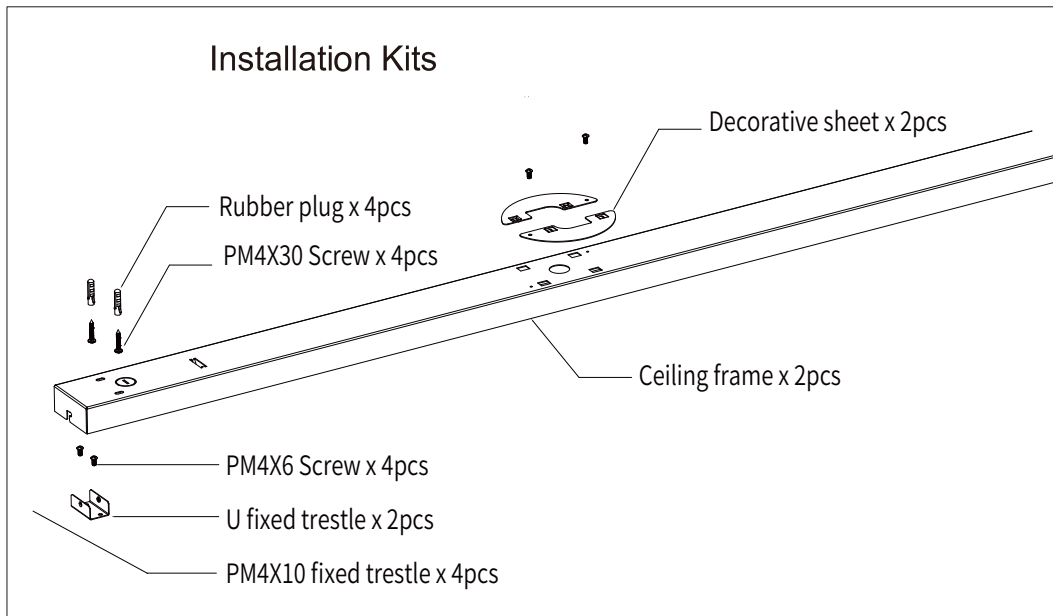
Model	L×W×H
JEN-LS01-4FT	1219.2x70x80(mm) / 48"x2.75"x3.14"



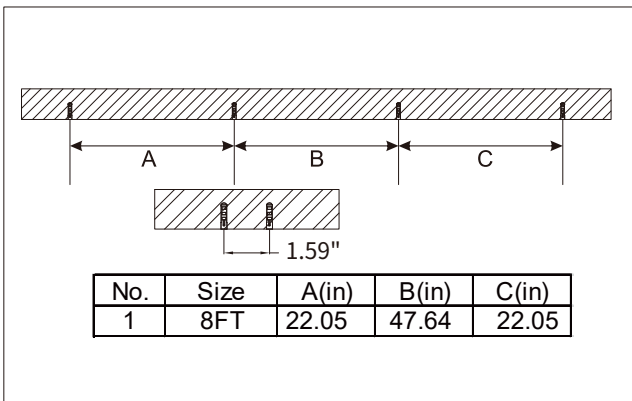
PHOTOMETRICS



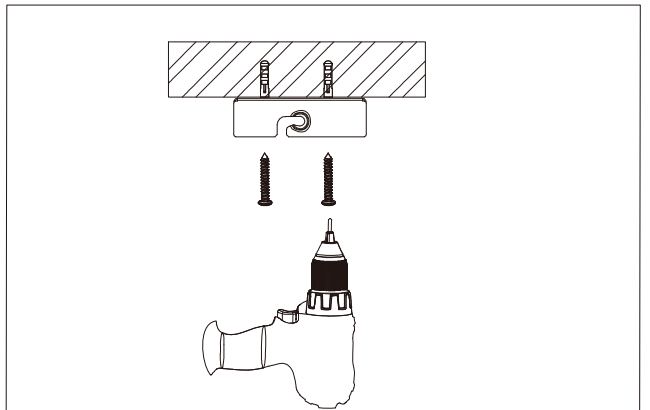
SURFACE MOUNT



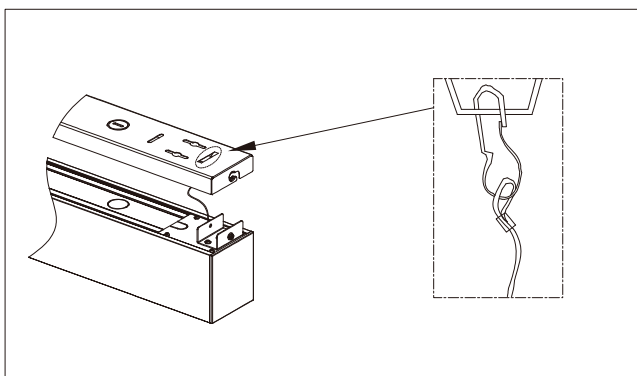
1. Drill Hole on the ceiling based on the Length of the fixture. Fix the plastic anchor in the hole.



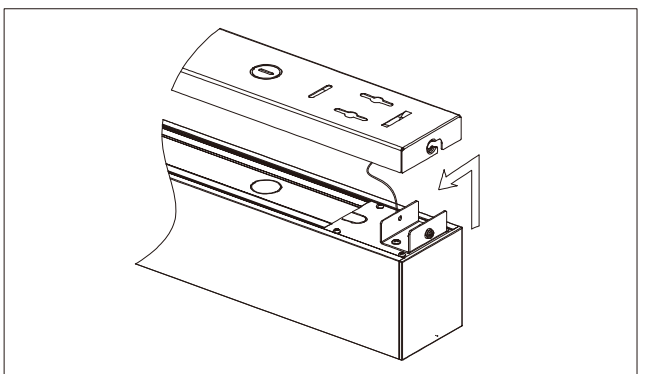
2. Fix the surface mount bracket on the ceiling with PA4*30 screw.



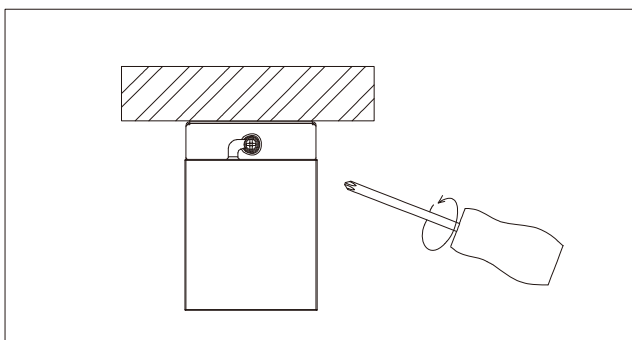
3. Hook the safety cable of the fixture on the slot of the surface mount bracket.



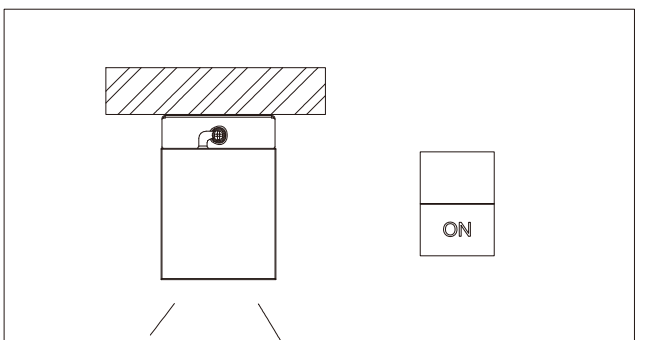
4. Wiring the fixture with the supply power, clear up the wires and safety cables, clip the fixture into the slot of the surface mount plate on two side.



5. Fix screws on two side of the fixture.



6. Turn on the light.



DIMENSIONS

Case-12.99"x1.97"x0.93"(mounting center-12.48")

