



Item#: **28655**  
**LED 2' SPEC-SELECT™ VAPOR TIGHT**  
**DIRECT LINEAR AMBIENT LUMINARIES**

### FEATURES

Spec-Select™ Vapor Tights are like 9 fixtures in 1, featuring adjustable wattage and color temperature for the perfect balance of light in any application.

- Adjustable Wattage (3 settings)
- Adjustable Color (3 settings)
- 5VA housing, meets highest UL94 Standards.
- Liquid silicone perimeter gasket formed to housing provides a seamless seal and protects from dust and humidity.
- Stainless steel clips.
- Sufficient knockouts are available.

### APPLICATION

Ideal for commercial and industrial environments; tunnels, stairwells, parking garages, cold storage, and airports. *Not designed for use in car washes, truck wash bays, or where exposed to harsh chemicals.*

### ELECTRICAL

Wattage	15W / 20W / 25W
Voltage	120-277V
Current	25W @ 120V = 0.20A
Power Factor	0.9
Total Harmonic Distortion (THD)	5.5

### LIGHTING PERFORMANCE

Lumens	1995 / 2660 / 3325
Lumens Per Watt (LPW)	133
Color Temperature (CCT)	3500K / 4100K / 5000K
Color Rendering (CRI)	81
R9 (Red Value)	4
Beam Angle	120°
Light Distribution	--
BUG Rating (Backlight, Uplight, and Glare)	--
Dimmable Lighting Control	<i>Dimmable</i> 0-10V, Range 10% - 100%

### ENVIRONMENT

Operating Temperature (Suspended at least 18" from ceiling)	-40° ~ 113°F
Operating Temperature (Surface Mount)	-40° ~ 104°F
Suitable Location	<b>WET</b>
Ingress Protection Rating	IP65

### LIFESPAN

Average Life (Hours)	50,000
Warranty (Years)	<b>5</b>

### COMPONENTS

LED Light Source	--
Driver	--

### CONSTRUCTION

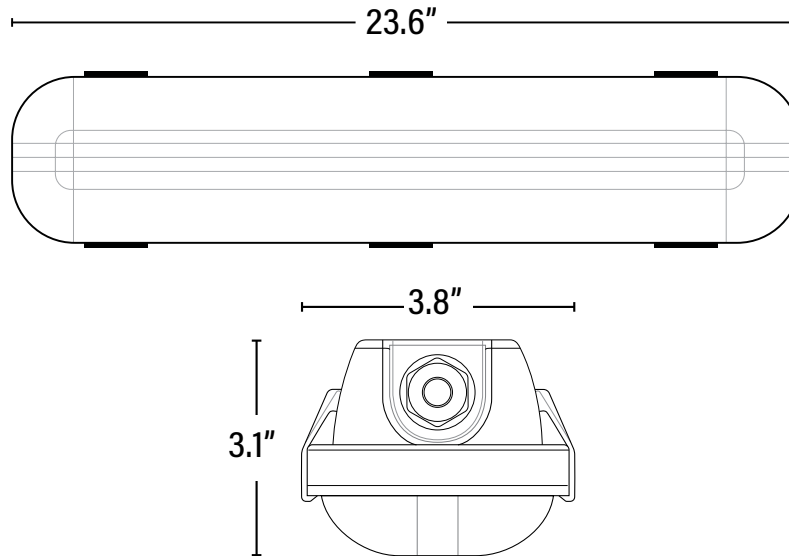
Housing	Polycarbonate
Lens	Frosted
Base / Power Supply	Hard Wired
Finish	White

### QUALIFICATIONS



Visit [www.designlights.org/search](http://www.designlights.org/search) to confirm qualification. • Published lumens on LED products are approximate and may vary slightly. • Specifications are subject to change without notice.

Item#: **28655**  
**LED 2' SPEC-SELECT™ VAPOR TIGHT**



**DIMENSIONS** (Inches)

Length	23.6"
Width	3.8"
Height	3.1"
Net Weight (Lbs)	3.5

PACKAGING		UPC	DIMENSIONS (LxWxH)	GROSS WEIGHT (Lbs)
Master Carton	4	10811768024057	25.8" x 8.5" x 7.1"	--
Individual Box	1	811768024050	25" x 3.9" x 3.2"	--
Country of Origin	China			
HS Tariff	--			

**ADDITIONAL INFORMATION:**

- Default settings; 15W, 5000K.
- The color temperature and wattage may be adjusted by two slide switches integrated into the driver. The color temperature and wattage should be selected prior to installation.

