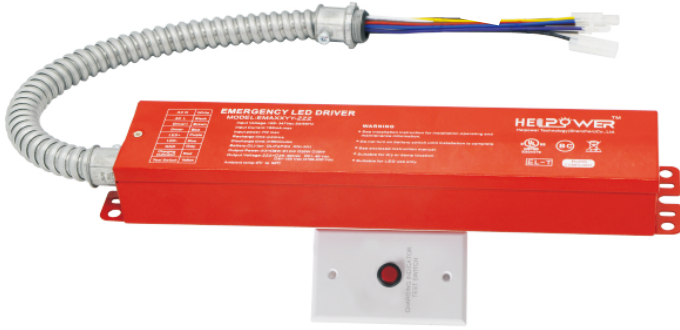


Emergency LED Driver



For wiring to the led driver's input



RoHS
COMPLIANT

Features

- UL Listed for US and Canada
- Listed to UL924 and tested to CSA C22.2 NO.141 Field or factory installation
- High voltage output
- Low energy consumption CEC compliance
- Constant output power
- Self-testing
- Battery: Over temperature protection

Specifications

- Input Voltage: 120~277Vac, 50/60Hz Input
- Current: 200mA max.
- Input Power Rating: 12W max.
- Output Voltage: 170Vdc
- Emergency Power: 25W
- Recharge Time: 24Hrs
- Discharge Time: 90 minute Battery: Li-ion
- Warranty: 5 Years
- Ambient Temp: 32°F ~ 122°F (0°C ~ 50°C)
- Weight: 2.66 lbs (1.2kg)

Model No.

Model No.	Output Voltage	Emergency Power	Battery Type
XS-XEBB05-25WAC	170Vdc	25W	Li-ion

Function

Indicator Light

- AC Operation, indicator light will keep on
- Emergency Operation, indicator light flash slowly (light on for 2 seconds, light off for 2 seconds)
- In a failure, indicator light flash quickly (light on for 0.2 seconds, light off for 0.2 seconds)

Test Switch

- In AC Operation, press test switch once, emergency for 30 seconds
- In AC Operation, press test switch twice in a succession within two seconds, emergency until battery is full discharged
- In the emergency operation, press test switch will turn off emergency status, and led lamp & indicator light of EM driver will go out at the same time

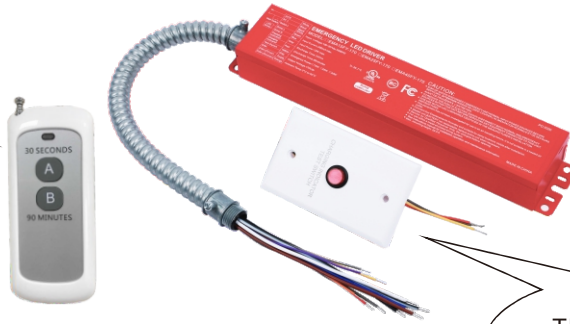
CAUTION:

- During AC operation, remember no touch or remove any wires in case of electric shock
- During emergency operation, before touching and disconnecting the wires, remember to press the test button again to make the led lamp and indicator light off to avoid electric shock
- The voltage input to the dimmable wires(DIM+,DIM-) of the emergency LED driver must less than 20Vdc For emergency LED driver of XS-XEBB05-25WAC, better work with LED lamp not more than 210W

Emergency LED Driver

Function

A: For 30 seconds/Off
B: For 90 minutes



TEST SWITCH & CHARGE INDICATOR

Indicator Light

- AC Operation, indicator light will keep on
- Emergency Operation, indicator light flash slowly (light on for 2 seconds, light off for 2 seconds)
- In a failure, indicator light flash quickly (light on for 0.2 seconds, light off for 0.2 seconds)

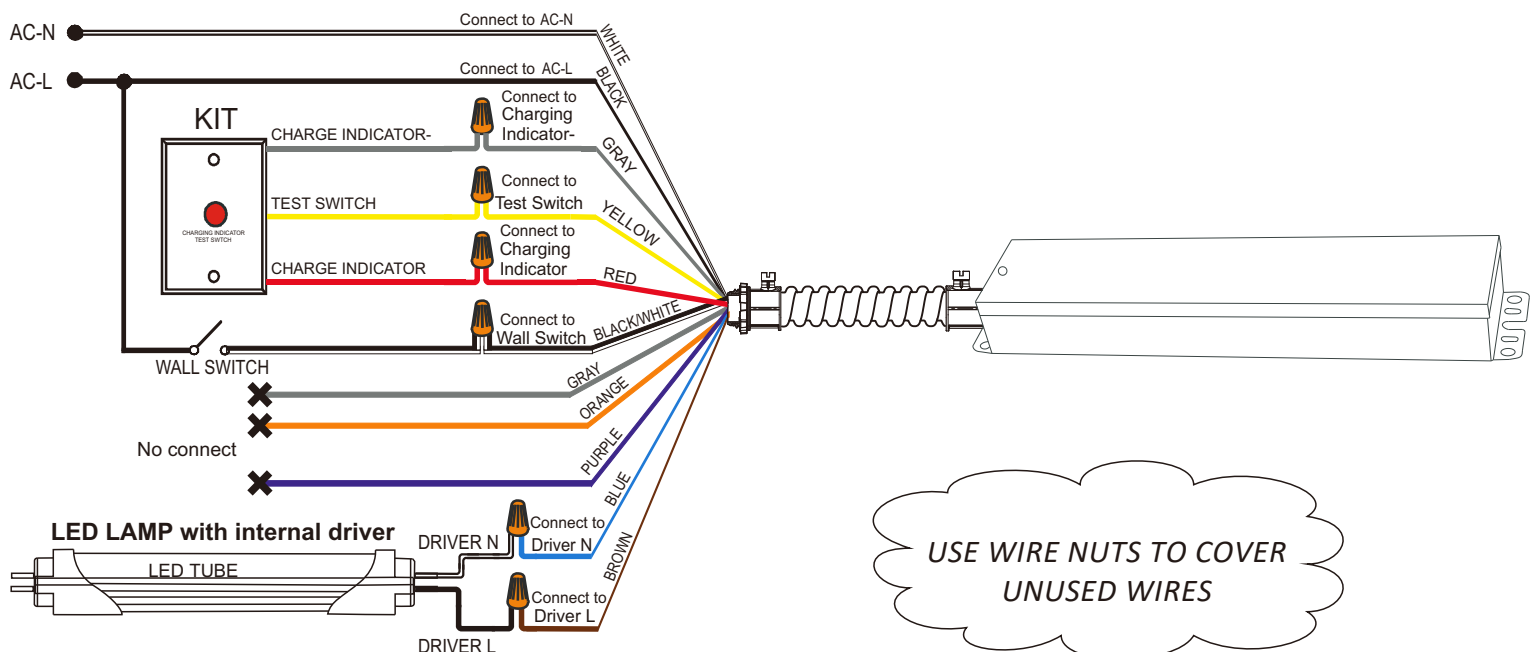
Test Switch

- In AC operation, press test switch or "A" on remote test switch, the fixtures will switch into emergency model for 30 seconds.
- In AC operation, press "B" on remote test switch, the fixtures will switch into emergency model for 90 minutes.
- In emergency operation, 30 seconds later, press "A" on remote test switch 10 seconds later, the fixtures will switch into AC model.
- Without an antenna, the remote signal could reach about 12M, but with the antenna, signal could reach far more than 30M.

Wiring Diagram

**When the led driver power less than the emergency power*

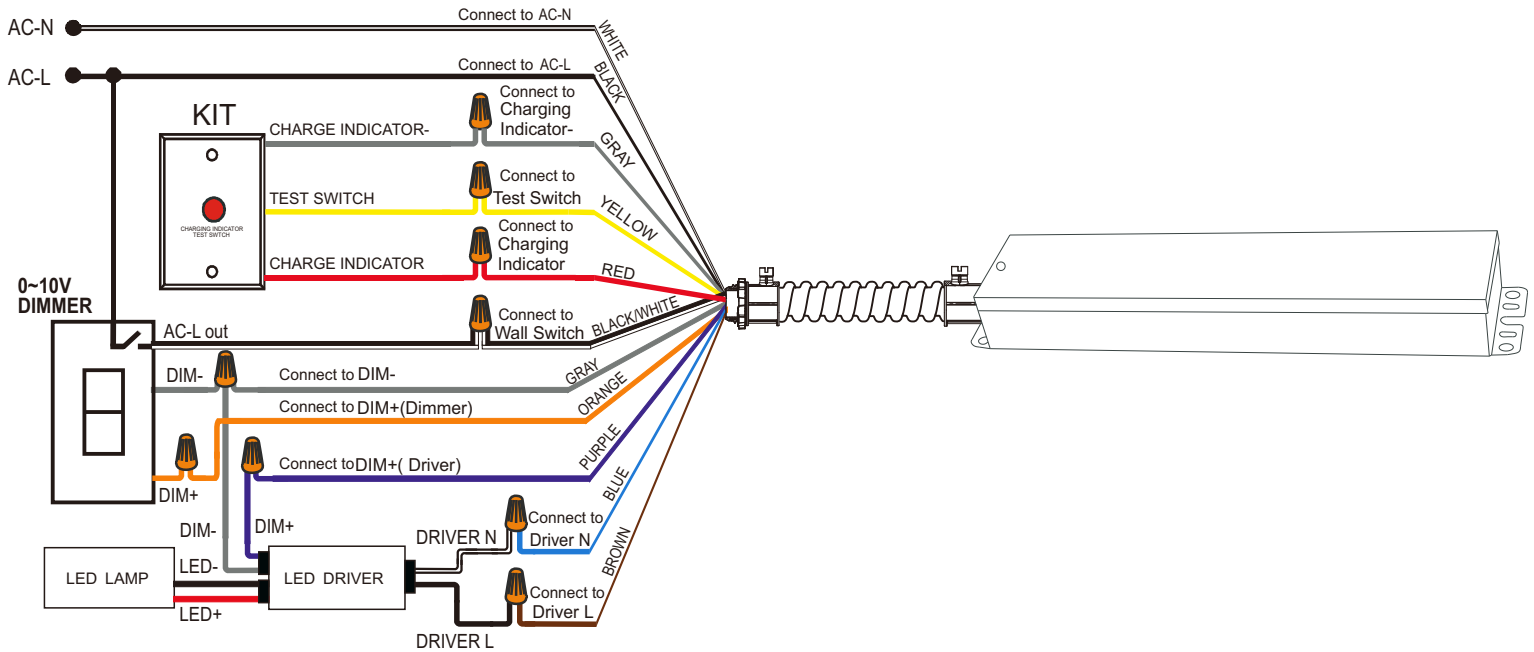
A) Normal



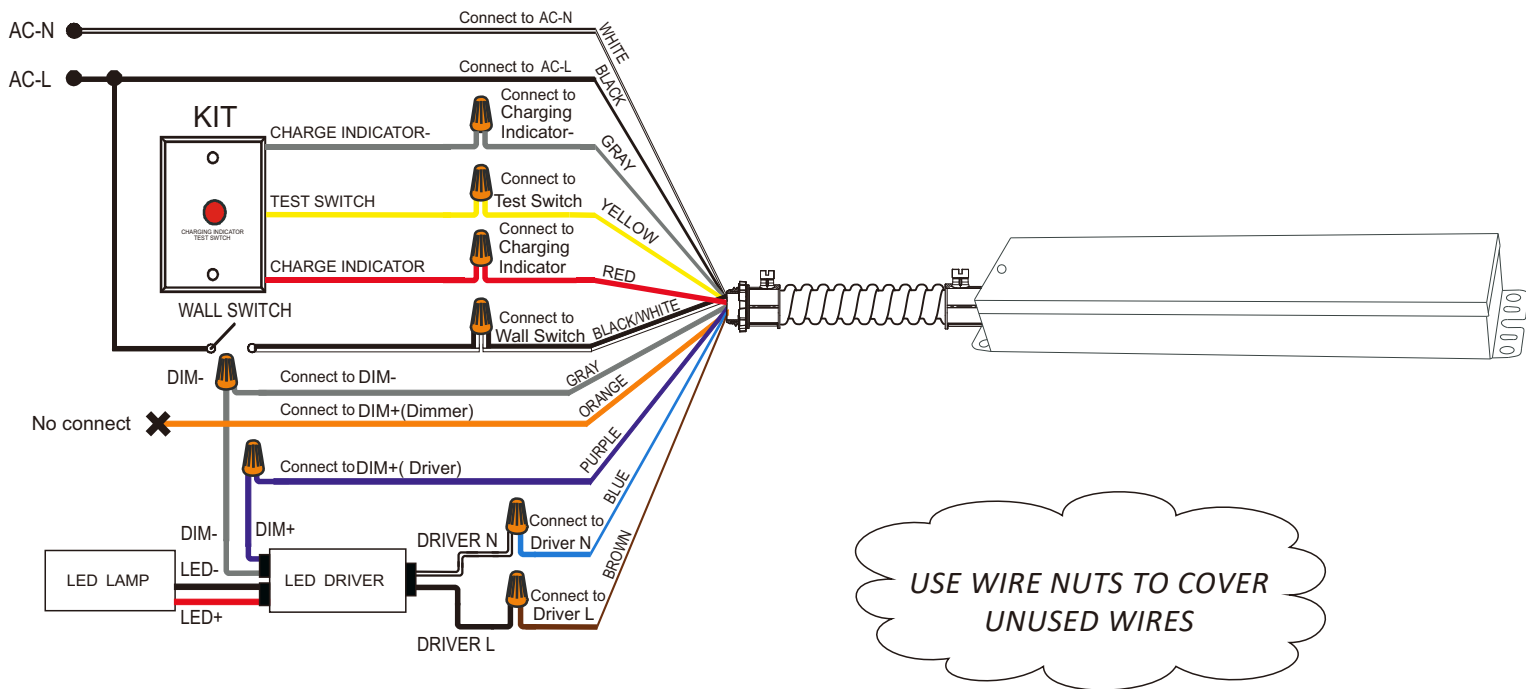
Emergency LED Driver

*When the led driver power more than the emergency power

B) With Dimmer

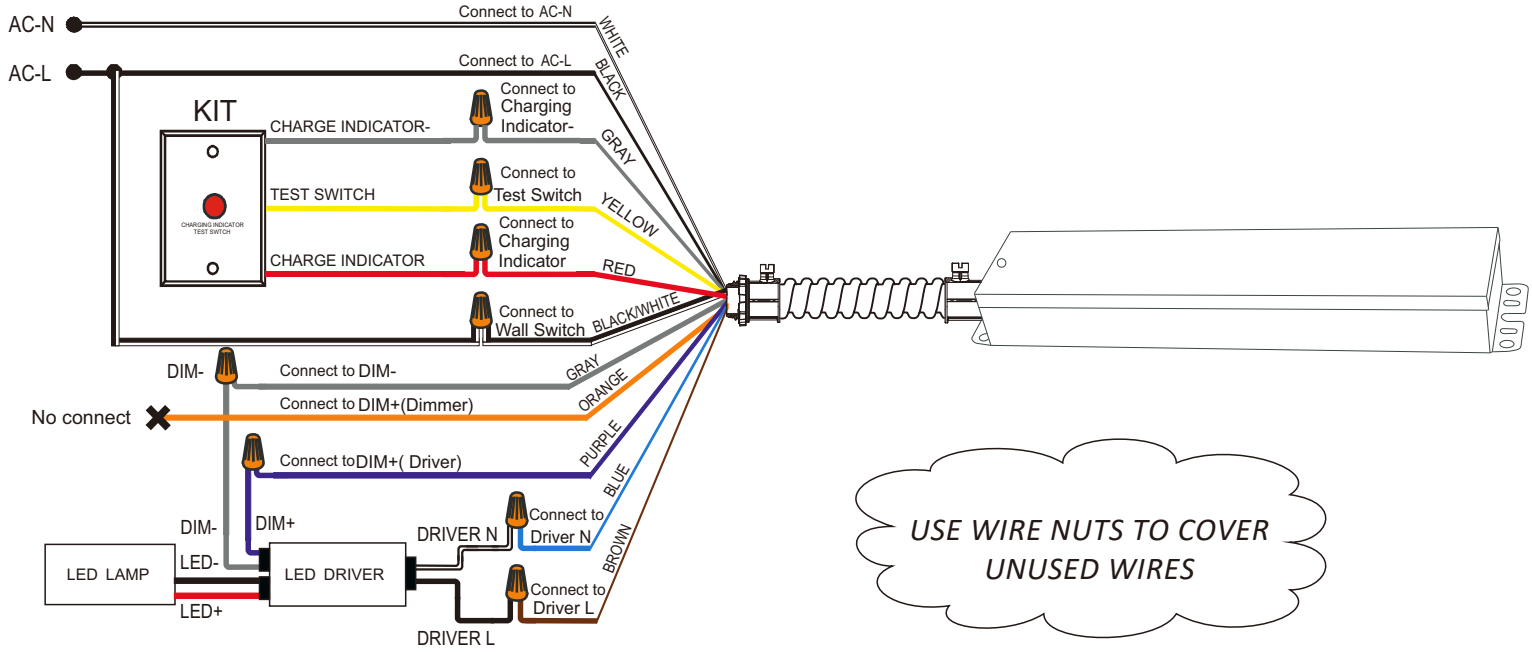


C) Without Dimmer

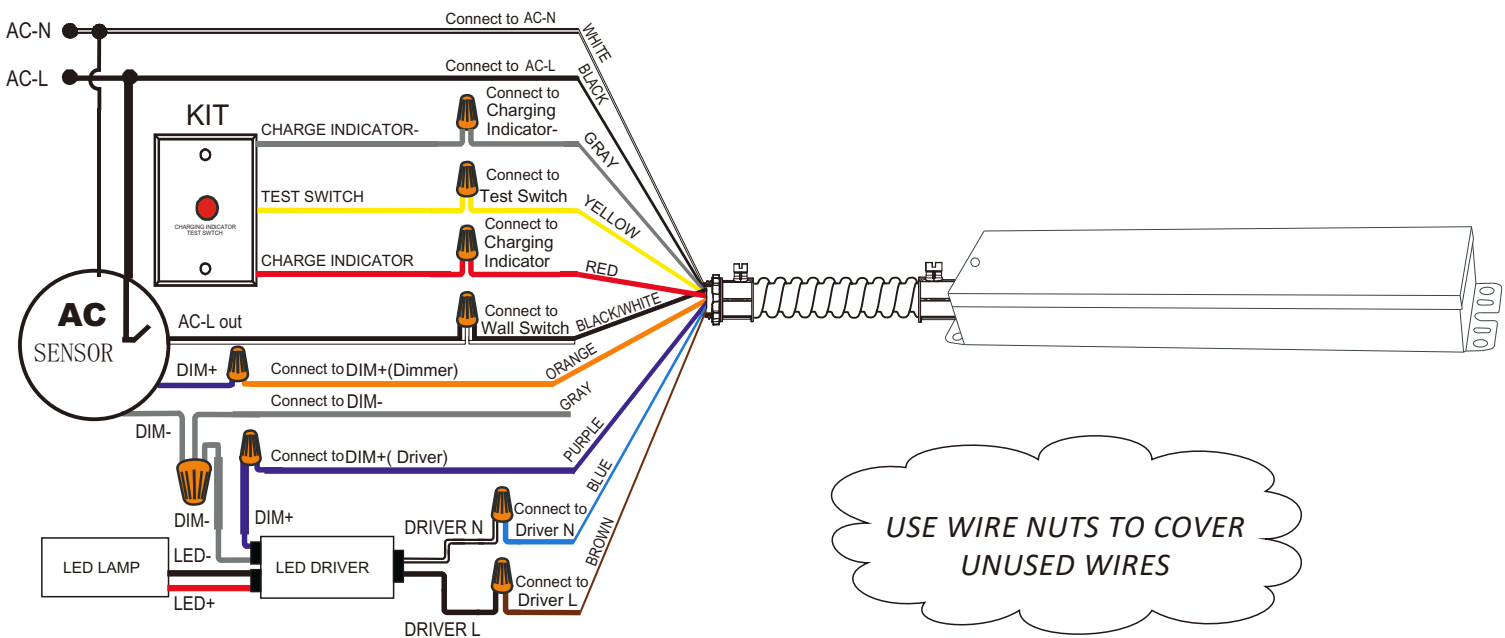


Emergency LED Driver

D) Without Switch and Without Dimmer

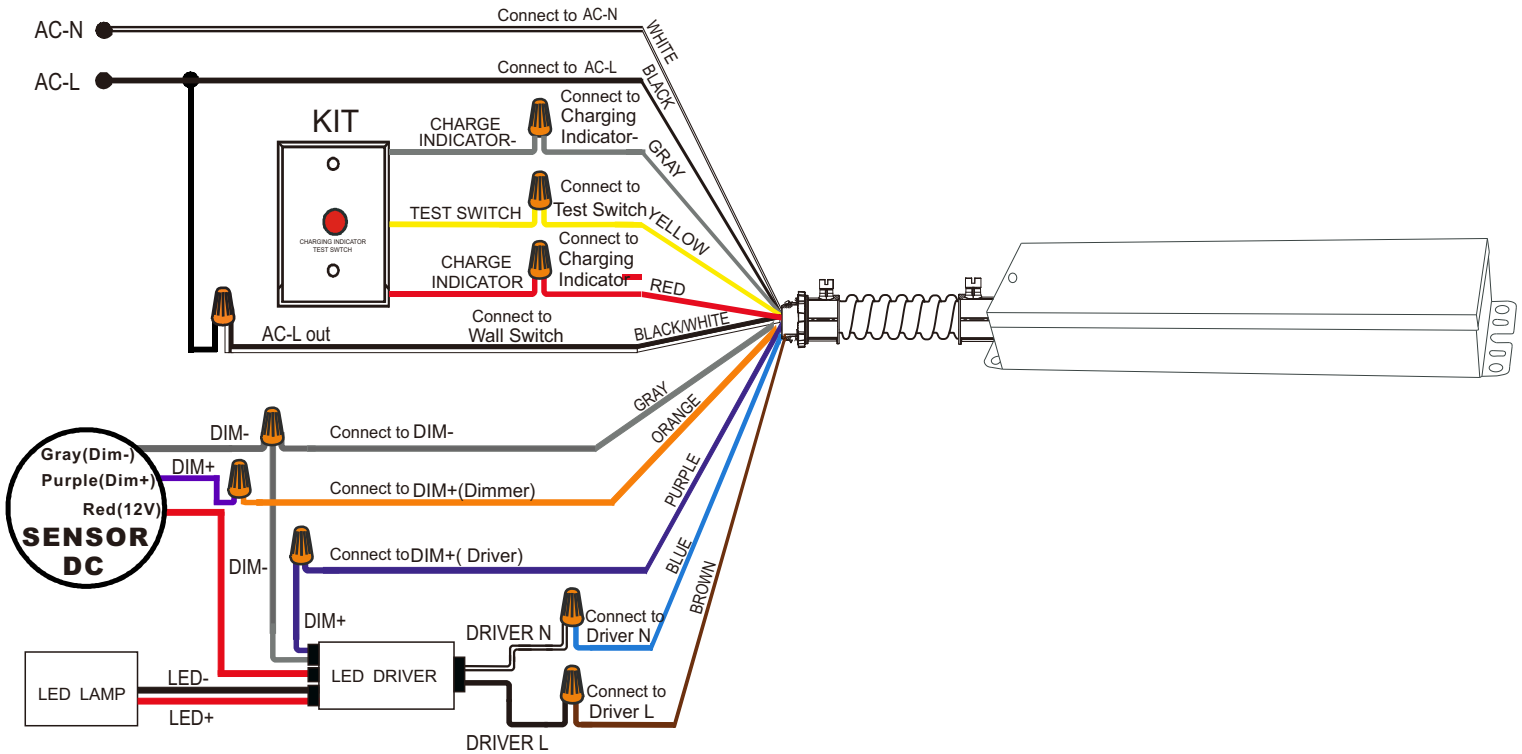


E) With Sensor (AC)



Emergency LED Driver

F) With Sensor (DC12V)



Self-Test

- The emergency LED driver contains a control/monitor circuit which will perform a 30-second discharge test once a month and a fully discharge test once a year. At this time, the unit simulate an AC power failure and automatically switch to emergency mode. During routine testing, the unit will monitor the operation of the LED load, battery voltage, and emergency duration, if the unit detect any problems, the indicator will flash quickly.

Dimension

Emergency LED Driver	Size (inch)											
	Length		Width		Height	Radius		Flexible Conduit	Conduit Diameter	Connector Diameter	Length of the wire	
	L1	L2	W1	W2	/	R1	R2	/	/	/	/	
	12.32"	11.73"	2.32"	1.65"	1.48"	0.14"	0.08"	13"	0.75"	0.79"	5.51"	