

# LED UFO HIGHBAY - HBF SERIES

## Introduction

- ◆ The HBF UFO high bay offers three selectable wattage and two CCT, making it versatile enough to handle countless applications.
- ◆ Its standard efficiency is 150 lumen per watts.
- ◆ HBF includes an expansion port to easily add the sensor which controls by Bluetooth or controller. It can be configured to adjust brightness and hold me, saving additional energy energy and costs.
- ◆ It comes standard with a G hanging hook.
- ◆ UFO high bay HBF widely used in warehousing, industrial facilities, sports facilities, gymnasiums, etc.

## Features

### Construction:

- ◆ Die-casting aluminum housing and heatsink for added protection.

### Electrical:

- ◆ 0-10v dimmable driver, which can dim from 100% down to off.
- ◆ The Input voltage is AC120-277V (50/60Hz).
- ◆ 120-277V: 180w-240w models designed to withstand up to L/N-PE: 6kV, L-N: 4kV surge.
- ◆ Flicker-free.

### Optics:

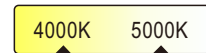
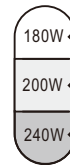
- ◆ LED chips support 4000k and 5000k with CRI>80. Sealed optic available in 120° beam angle.

### Finish:

- ◆ White color finish



## Product Selectable:



WATTAGE SELECTABLE

CCT SELECTABLE

## Mounting:

- ◆ Support O/G hook.

## Compliances:

- ◆ cULus listed for wet locations, environment temperature from -40°F to 113°F.
- ◆ DLC® (DesignLights Consortium) Qualified. Please refer to the DLC website for specific product qualifications at [www.designlights.org](http://www.designlights.org).

## Warranty:

- ◆ 5-years limited warranty.

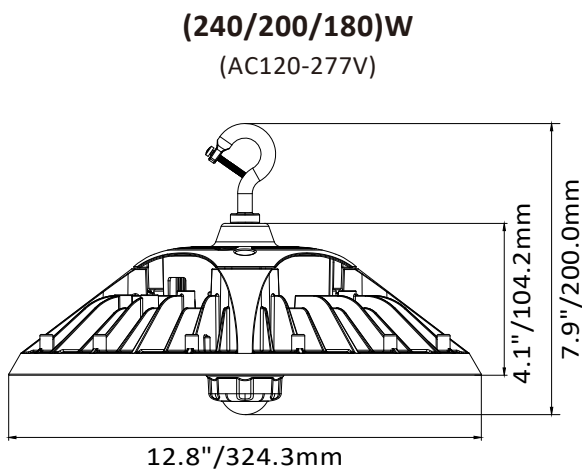


## Specification

Size	Model	Wattage	Lumen@50K @150lm/w	CCT	Lens	Input Voltage
Medium	XS-HBF-240W-4050K-80LV-C-WH	(240/200/180)W	Max 36000lm/w	40K/50K selectable	120°	AC120-277V/ 50/60Hz



## Dimensions & Weight



## Photometrics

