

# LED AREA LIGHTS - ALH SERIES

## Introduction

- ◆ The Hand 10 is the latest generation Area Light that is highly cost effective and offers complete configurations. The Hand 10 delivers 36000 to 46500 lumens, which can replace 250W to 1000W HID luminaires.
- ◆ The Slipfitter, square or round pole arm, wall mount, and universal bracket are available. The Area Light fixtures require a single mount (sold separately) for installation.



240W/ 260W/ 280W/ 310W

**Wattage Tunable**

## Features

### Construction:

- ◆ The Hand 10 area light features a rugged die-cast aluminum body that uses heatsink and flow-through venting to provide optimal thermal management that both enhances LED performance and extends component life. The light housing is sealed against moisture and environmental contaminants. 3G vibration rated compact design minimizes wind load requirements. Low EPA, allowing pole optimization.

### Electrical:

- ◆ High voltage AC277-480V with standard 20KV Surge protector
- ◆ Standard with 0-10V dimmable
- ◆ Power Factor :  $\geq 0.95$
- ◆ THD  $\leq 20\%$
- ◆ Light engine is available in 3000K, 4000K & 5000K CCT (CRI70) configuration

### Optics:

- ◆ Type III distribution type

### Finish:

- ◆ Standard color is dark bronze.

### Ambient Temperature:

- ◆ -40°F to 113°F

### Listing:

- ◆ UL Certified to meet U.S. and Canadian standards. Suitable for wet locations. Rated for -40°F minimum ambient. DesignLights Consortium® (DLC) Premium qualified product and DLC qualified product.

### Warranty:

- ◆ 5-years limited warranty.



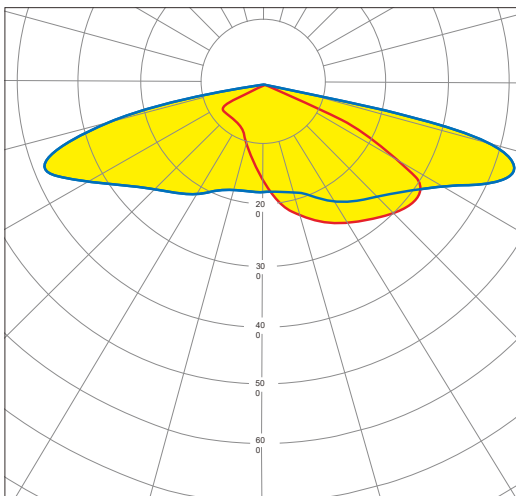
# Specification

Watt	Voltage	Distribution Type	5000K, CRI70					4000K, CRI70					3000K, CRI70				
			Lumens	B	U	G	LPW	Lumens	B	U	G	LPW	Lumens	B	U	G	LPW
310W	277-480V	T3	46,500	4	0	4	150	45,880	4	0	4	148	44,950	4	0	4	145

**Note:** These parameters are based on the Selectable power and single CCT models.

# Photometric Diagrams

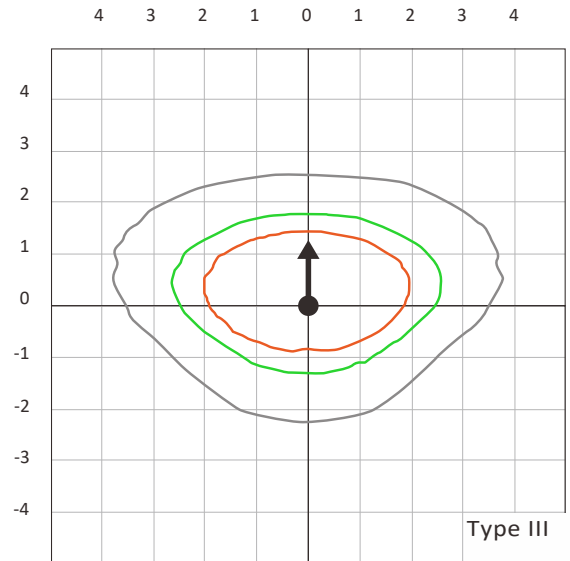
Type III



cd/klm

**LEGEND**

- 0.1 fc
- 0.5 fc
- 1.0 fc



Type III

# EPA (Square & Round Pole Arm)

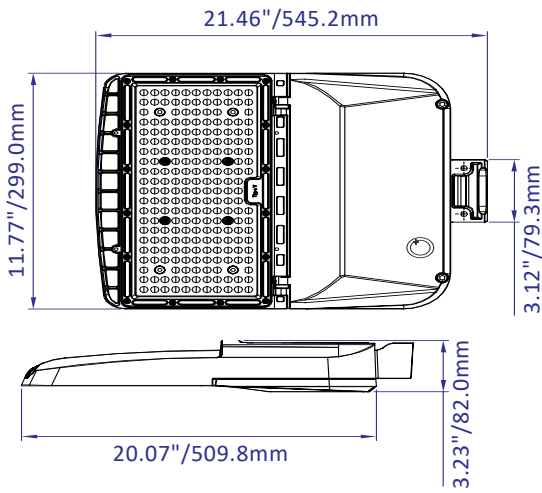
\*Includes luminaire and integral mounting arm. Other tenons, arms, brackets or other accessories are not included in this EPA data.

Mounting Type	Tilt	EPA (. <sup>2</sup> )								
		Single	2@90	2@180	3@90	3@120	4@90	2 Side by Side	3 Side by Side	4 Side by Side
310W	0°	0.35	0.62	0.64	0.91	0.82	1.21	0.69	1.04	1.39
	10°	0.27	0.54	0.53	0.80	0.69	1.06	0.54	0.81	1.08
	20°	0.26	0.52	0.52	0.77	0.67	1.02	0.52	0.79	1.05
	30°	0.32	0.56	0.60	0.83	0.74	1.12	0.64	0.97	1.29
	40°	0.41	0.61	0.68	0.88	0.84	1.21	0.82	1.23	1.64
	45°	0.46	0.63	0.76	0.92	0.89	1.26	0.92	1.38	1.85
	50°	0.68	0.93	1.10	1.32	1.30	1.84	1.36	2.04	2.72
	60°	1.12	1.51	1.81	2.15	2.12	2.99	2.24	3.35	4.47
	70°	1.45	2.09	2.38	2.99	2.90	4.16	2.90	4.35	5.79
80°	1.72	2.60	2.88	3.72	3.60	5.18	3.44	5.17	6.89	
90°	1.95	3.02	3.32	4.35	4.22	6.03	3.91	5.86	7.82	



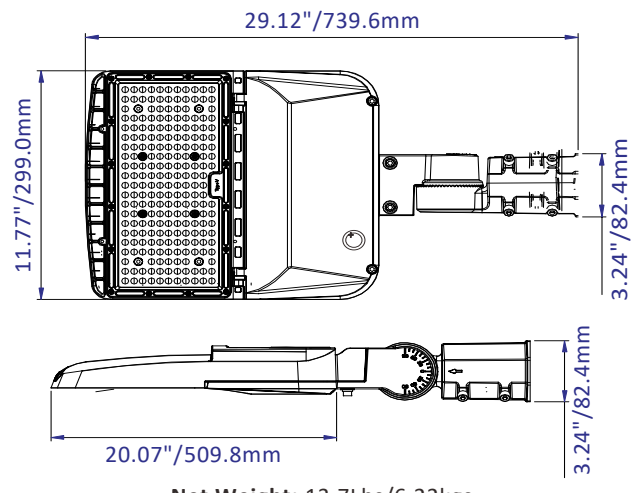
# Dimensions & Weights

## Without Mounting Bracket



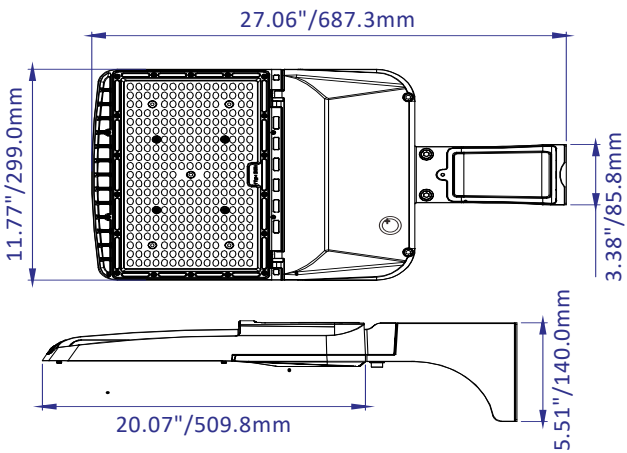
Net Weight: 11.3Lbs/5.12kgs

## Slip Fitter Mount



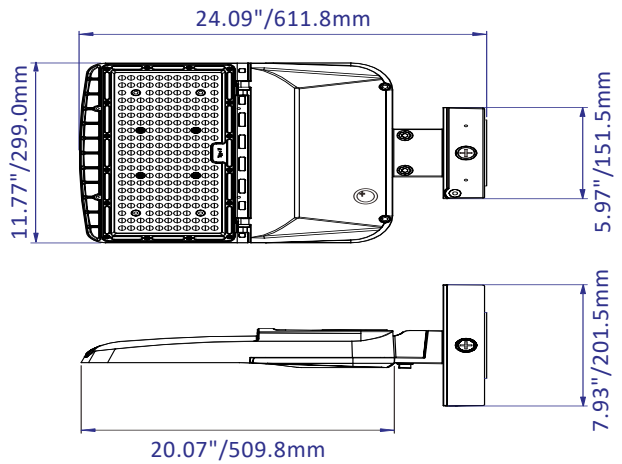
Net Weight: 13.7Lbs/6.22kgs

## Square & Round Pole Mount



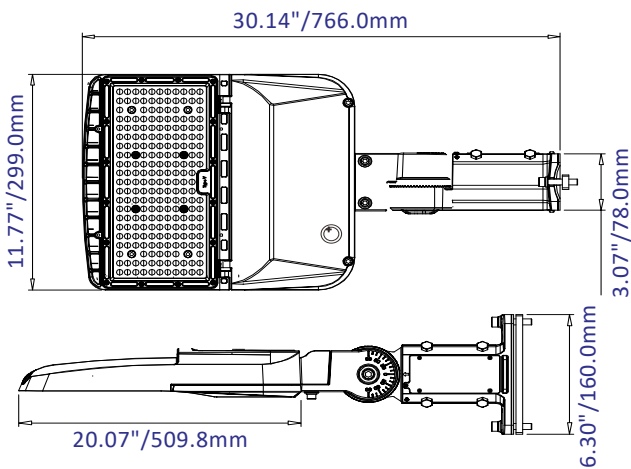
Net Weight: 13.3Lbs/6.06kg

## Standard Wall Mount



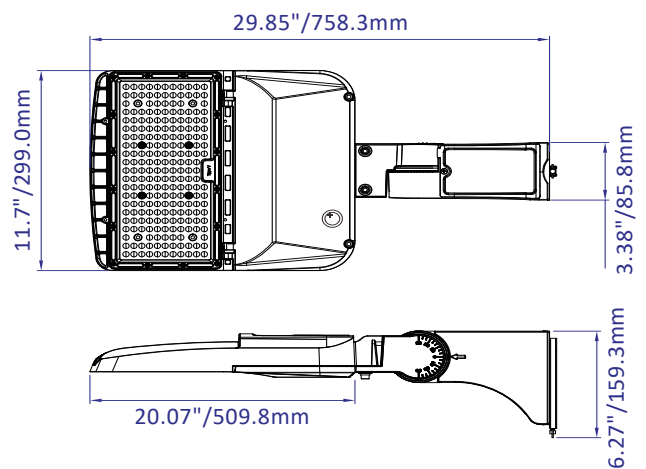
Net Weight: 13.8Lbs/6.27kgs

## Rotatable Wall Mount



Net Weight: 14.7Lbs/6.67kgs

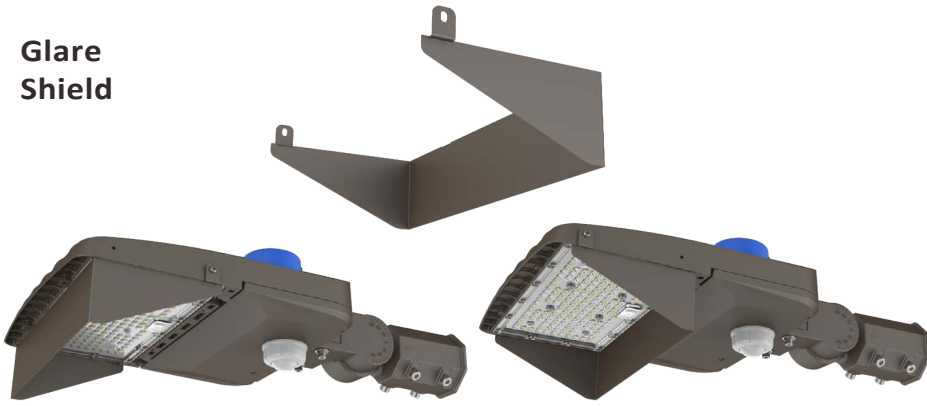
## Adjustable Square & Round Pole Mount



Net Weight: 14.5Lbs/6.59kgs

## Accessories

### Glare Shield



External Half Glare Shield



External 360 Full Visor

### Control. Options



Photocell  
120-277V



Shorting  
Cap



PIR Motion Sensor  
12V



Surge Protection Device  
120-277V

The SPD is included as standard for wattage from 150W and higher