

# WALL PACK (MWP13)



## DESCRIPTION

Cast in a modern and low-profile design, MWP13 series is easily customized to fit every building's design aesthetic and a mix of architectural styling and energy savings. The MWP13 delivers 3,000 to 7,000 lumens with a wide, uniform distribution. It's ideal for illuminating commercial office buildings, warehouses, campuses, shopping malls and other office complexes.

## SPECIFICATION FEATURES

### Construction

- Sealed die-casting profile for outdoor applications. Casting thermally conducts LED heat to optimize performance and long life.
- The design with zero uplight meets the requirements of dark sky.

### Optics

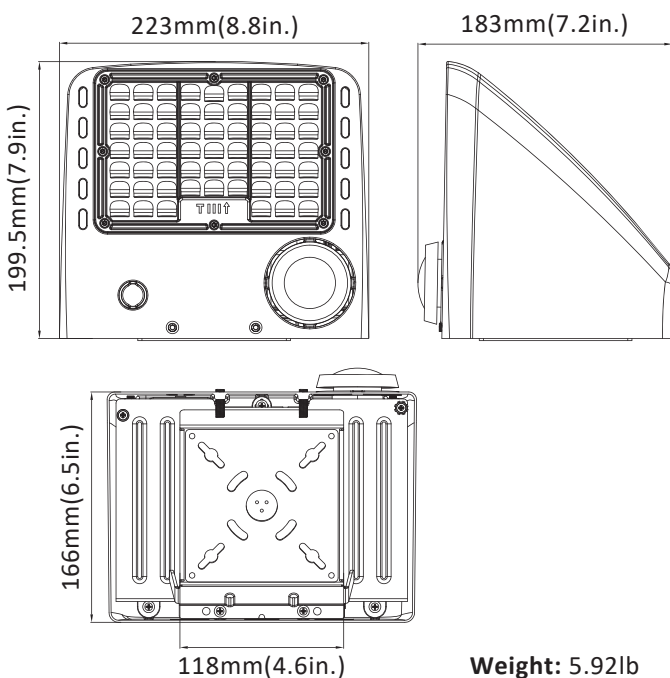
- Switchable color temperature 3000K/4000K/5000K.
- Adjustable lumen output with four lumen settings 100%, 80%, 60%, 40%.
- Scalable Lumen Packages from 3,000 to 7,000 Lumens.
- Zero uplight distributions using individual acrylic.
- High performance UV stabilized optical grade polymer refractor lenses to achieve desired distribution optimized to get maximum spacing, target lumens and a superior lighting uniformity.

### Electrical

- Universal 120-277 VAC input voltage.
- 0-10V dimming standard for a dimming range of 100% to 10%.
- Both drivers have a power factor >90%, THD <20%.
- Operating Temperature Range: -40°F - + 104°F.

## DIMENSIONS

unit: mm/inch



### Lifespan

- Estimated 50,000-hour LED lifespan based on IES LM-80 results and TM-21 calculations.

### Certifications

- UL cUL wet location listed.

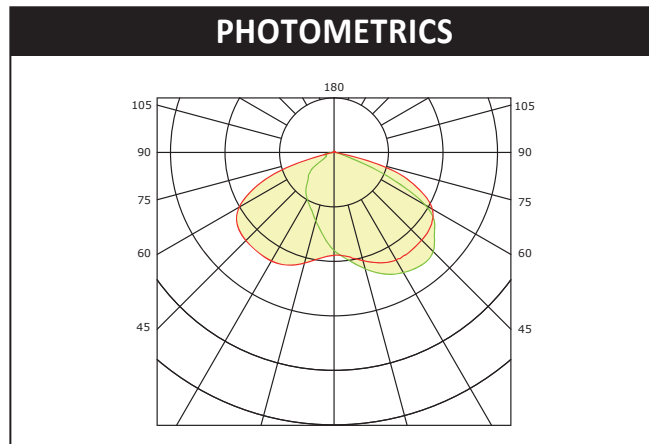
### Warranty

- Five-year warranty.

### Note

- Actual performance may differ as a result of end-user environment and application. All values are design or typical values, measured under laboratory conditions at 77°F specifications subject to change without notice.

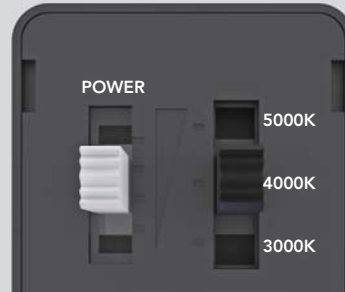
## PHOTOMETRICS





## CCT AND WATTAGE CONTROLLER

This fixture has the function of adjusting the lumens output and color temperature on-site.



Wattage selectable: 100%, 80%, 60%, 40%  
CCT selectable: 3000K, 4000K, 5000K

## PERFORMANCE DATA

MWP13 45W								
SWITCH SETTING	SYSTEM WATTS	CRI	3000K		4000K		5000K	
			LUMENS	LPW	LUMENS	LPW	LUMENS	LPW
100%	45W	70	6500lm	144lm/W	7000lm	156lm/W	6750lm	150lm/W
80%	36W	70	5300lm	147lm/W	5700lm	158lm/W	5500lm	153lm/W
60%	27W	70	4050lm	150lm/W	4400lm	163lm/W	4200lm	156lm/W
40%	18W	70	2750lm	153lm/W	3000lm	167lm/W	2900lm	161lm/W

## ELECTRICAL DATA

Number of Drivers	Driver Current (mA)	Nominal Power (W)	Input Voltage (V)	Current (Amps)
1	680	45	120	0.38
		45	208	0.22
		45	240	0.19
		45	277	0.16

## MOUNTING



The external portable mounting plate makes installation super easy and simple. There's no need to open fixture housing, nor drill on housing, which greatly minimize the risk of water ingress.