

AREA LIGHT(MAL05)

Specifications

Construction:

- Rugged one-piece, die-cast aluminum housing secures the thermally conductive LED panel and electrical chamber
- Low profile, 3G vibration rated compact design minimizes wind load requirements.
- Housing is completely sealed against moisture and environmental contaminants.

Optics:

- Available in IES Type III distribution
- Light engines are available in standard 5000K (70 CRI) configurations.
- 25,000 Lumens replaces metal halides.
- Optics is precisely designed to shape the distribution, maximizing efficiency and application spacing.
- The optics can conform to dark sky requirement.
- For the ultimate level of spill light control, an optional house-side shield accessory can be field or factory installed.

Electrical:

- Universal 120-277 VAC input voltage
- Standard with 0-10V dimming driver for 10% to 100% dimming capabilities.
- Wattage selectable (Option): 100%, 80%, 60%, 40%.
- THD: ≤20%
- Power Factor: ≥90%

Installation:

- Suitable for mounting heights ranging from 26-50' in area lighting applications
- Round pole, square pole, slipfitter, wall mount and yoke are available.
- The design can be operated by one person to install the whole lamp

Ambient Temperature:

- Ambient operating -40°F to 104°F.

Medium Size: 180W



Finish:

- It's available in dark bronze, finish.

 Dark Bronze

Lifespan:

- Estimated 100,000-hour LED lifespan based on IES LM-80 results and TM-21 calculations

Certifications:

- DesignLights Consortium™ Qualified.
 - UL cUL wet location listed.
- Note: DesignLights Consortium™ Qualified and classified for DLC Premium (all lumen packages), refer to www.designlights.org for details.

Note:

Actual performance may differ as a result of end-user environment and application. All values are design or typical values, measured under laboratory conditions at 77°F specifications subject to change without notice.



Applications:

Auto dealerships, parking lots, walkways, roadways, campuses, facade lighting, grocery stores and other public areas.



PERFORMANCE DATA

PERFORMANCE DATA			4000K(70CRI)		5000K(70CRI)	
SYSTEM WATTS	VOLTAGE	DIST.TYPE	LUMENS	LPW	LUMENS	LPW
180W	120-277V	3	25000lm	139 lm/W	25000lm	139 lm/W

ELECTRICAL DATA

Number Of Drivers	Driver Current (mA)	Nominal Power (W)	INPUT VOLTAGE (V)	CURRENT (Amps)
1	960	180	120	1.50
		180	208	0.87
		180	240	0.75
		180	277	0.65

EPA OF AREA LIGHT

Item							
	1	2 @90°	2 @120°	2@180°	3 @90°	3 @120°	4 @90°
180W	0.3111	0.6343	0.6464	0.6222	0.9335	0.9696	0.9335

BUG

SYSTEM WATTS	VOLTAGE	DIST.TYPE	B	U	G
180W	120-277V	3	3	0	3

MOUNTING

- Standard versatile mounting arm accommodates multiple drilling patterns as well as square and round poles
- Optional for cast aluminum slipfitter mounting adapter (Compatible with more MESTER mounting adaptors such as Tenon, suits for various application)

Mounting Options



Square & Round Pole Mount
(4" and 5" Square and Round poles) Standard versatile mounting arm is simple to install and can be used with existing poles for retrofit installations.



Slipfitter Mount
An optional cast aluminum mast arm adapter secures fixture head to nominal 2-3/8"O.D. horizontal steel tenon arm.

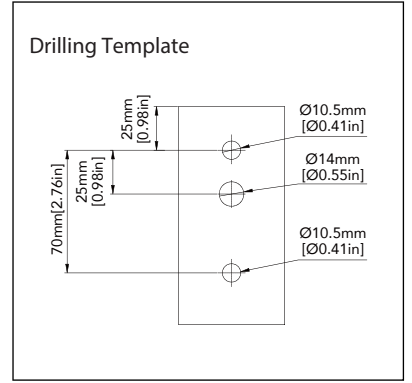
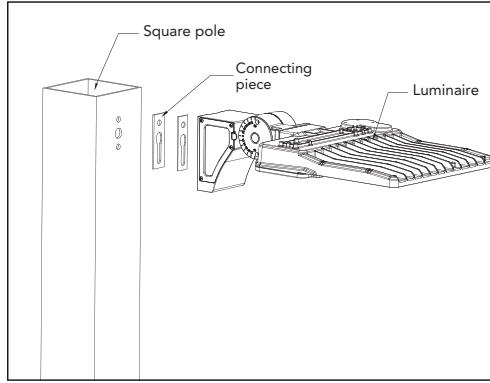
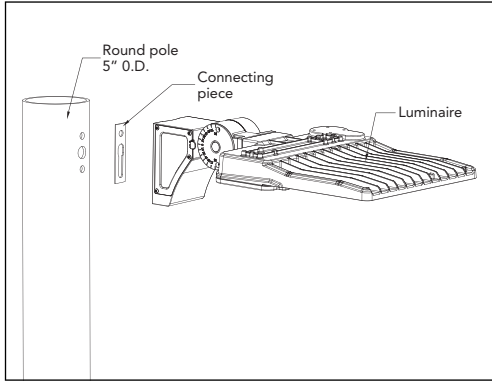


Wall Mount
Wall Mount is easy to install for direct wall mounting with 1/2' conduit wiring or standard J-box mounting



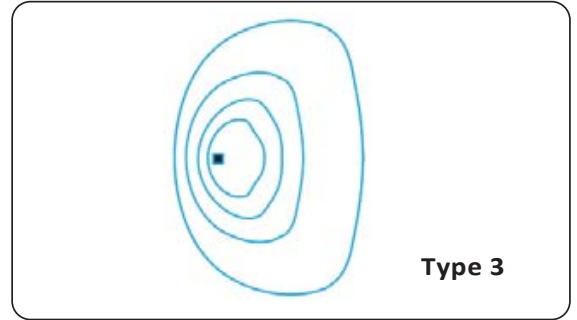
Yoke Mount
Die-cast aluminum trunnion is easily adapted to many surfaces and allows easy fixture aiming angles.

Mounting Dimensions



PHOTOMETRICS

Type 3 optics produce an asymmetrical pattern that directs the majority of the light forward and equally on both sides of the luminaire. In a back-to-back configuration, it creates a rectangular pattern which can extend pole spacings.



DIMENSIONS

unit: mm/inch



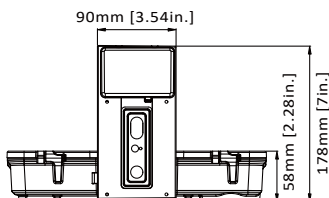
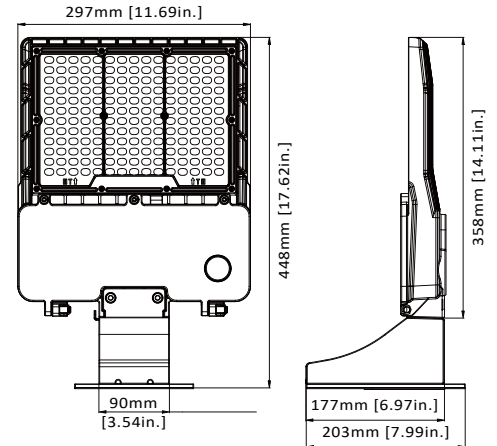
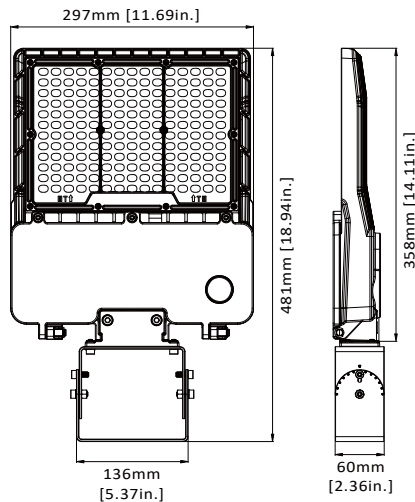
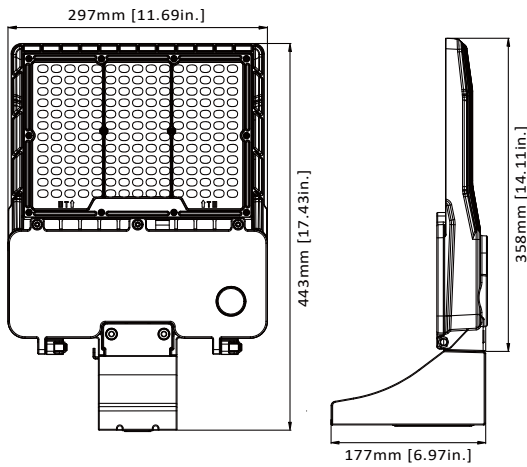
Pole Mount



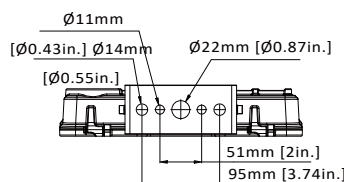
Yoke Mount



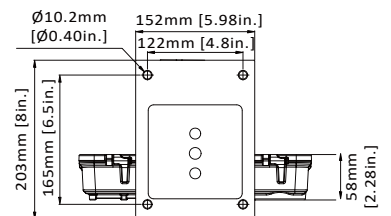
Wall Mount



Net Weight:
180W: 8.13 lb

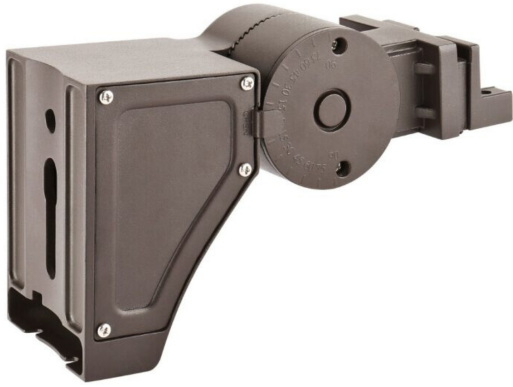


Net Weight:
180W: 6.11 lb

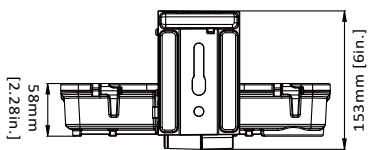
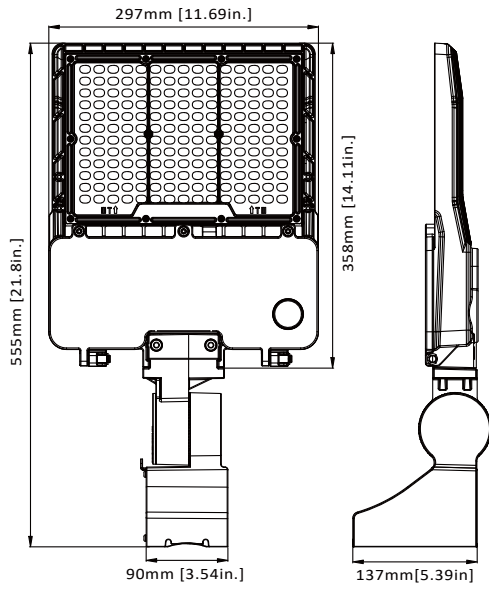


Net Weight:
180W: 7.56 lb

DIMENSIONS *cont.*
unit: mm/inch



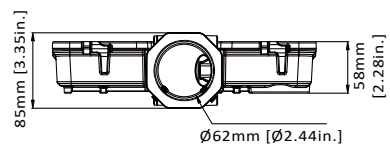
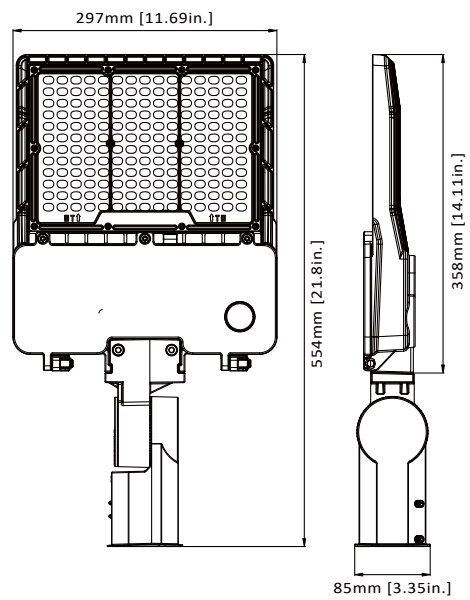
Adjustable Square Mount



Net Weight:
180W: 6.48 lb



Slipfitter Mount



Net Weight:
180W: 6.47 lb