

# WALL PACK (MWP15)



## DESCRIPTION

The brand-new WP15 series of LED Wall Pack, available only in one size and 26W of power. Uniform light distribution and excellent LED lumen maintenance rate, high energy efficiency, low cost, while taking into account the stylish design, ensure that the fixture has a long service life. WP15 also has on-site dimmable output and CCT settings, allowing the contractor to set the lumen value and CCT of the fixture at the installation site to a level that is perfectly suitable for the work site. Emergency egress battery and light control are optional, which is an ideal choice to meet any daily wall-mounted lighting applications.

## SPECIFICATION FEATURES

### Construction

- Two-piece die-cast aluminum housing secures the thermally conductive LED panel and electrical chamber.
- Casting thermally conducts LED heat to optimize performance and long life.
- Suitable for applications requiring 3G testing prescribed by ANSI C136.31.

### Optics

- The 26W is available in standard 3000K, 4000K, and 5000K configurations.
- Scalable Lumen from 1,800 to 3,900 Lumens.
- Anti-UV prismatic translucent lens is designed to shape the light distribution and uniformity

### Electrical

- Universal 120-277 VAC input voltage.
  - 0-10V Dimming.
  - Both drivers have a power factor >90%, THD <20%.
  - Operating Temperature Range: -40°F - + 104°F.
- Note:** Operating with emergency battery temperature range: +50°F - + 104°F.



### Lifespan

- Estimated 50,000-hour LED lifespan based on IES LM-80 results and TM-21 calculations.

### Certifications

- UL cUL wet location listed.
  - DesignLights Consortium™ Qualified.
- Note:** DesignLights Consortium™ Qualified and classified for DLC Standard (all lumen packages), refer to [www.designlights.org](http://www.designlights.org) for details.

### Warranty

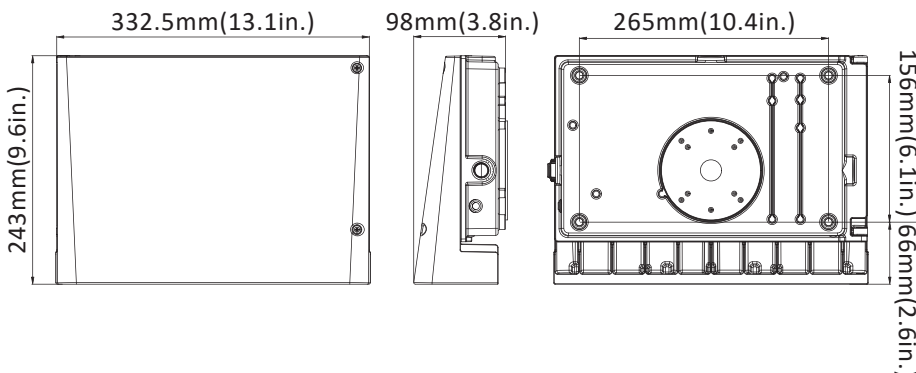
- Five-year warranty.

### Note

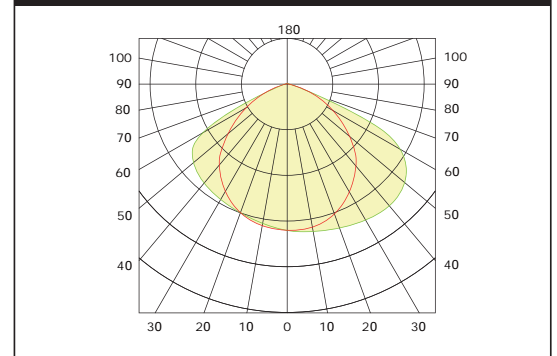
- Actual performance may differ as a result of end-user environment and application. All values are design or typical values, measured under laboratory conditions at 77°F specifications subject to change without notice.

## DIMENSIONS

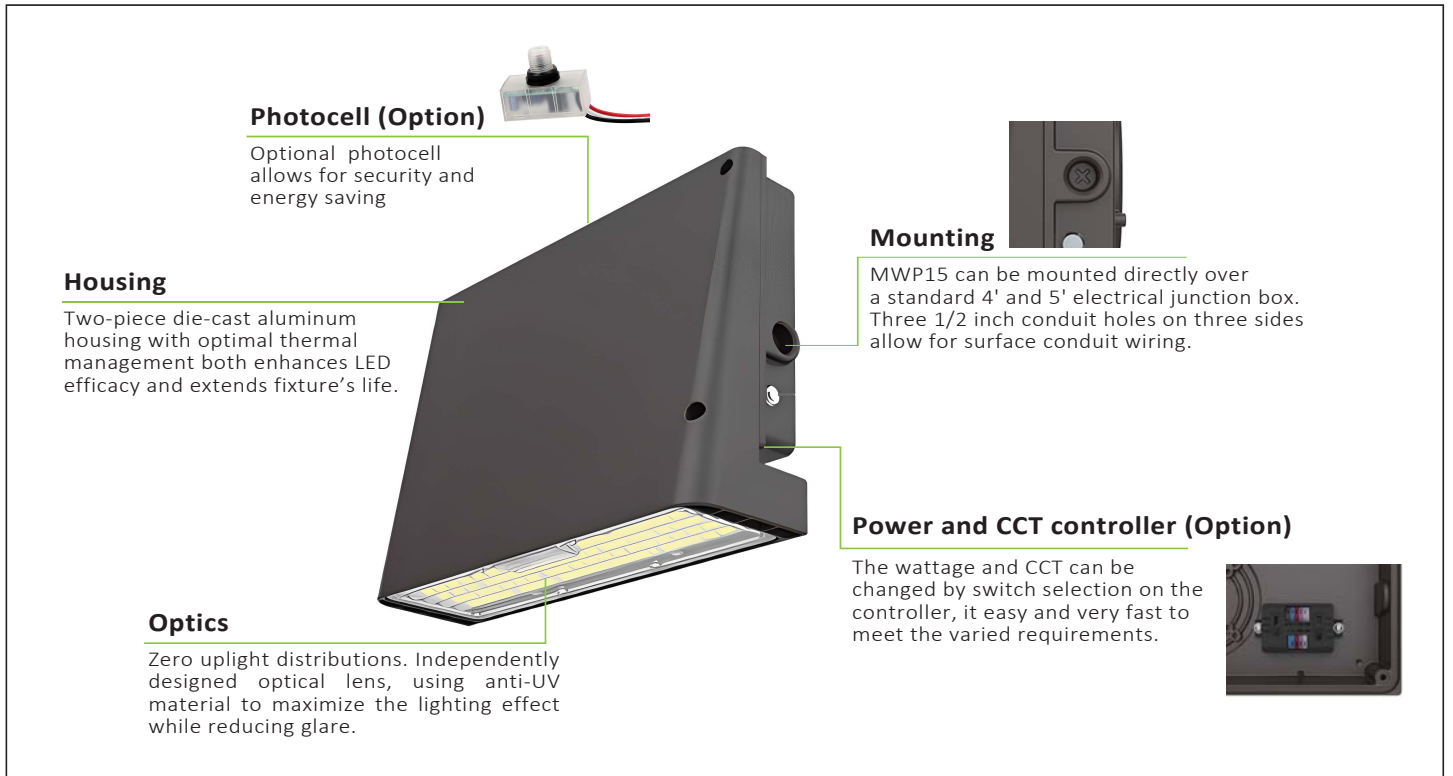
unit: mm/inch



## PHOTOMETRICS



## STRUCTURAL DESIGN



## PERFORMANCE DATA ( @ CCT Dial )

SYSTEM WATTS	VOLTAGE	CRI	LUMENS (3000K)	LPW	LUMENS (4000K)	LPW	LUMENS (5000K)	LPW
26W	120-277VAC	70	3800lm	146 lm/W	4000lm	154 lm/W	3900lm	150 lm/W

## ADJUSTABLE LUMEN OUTPUT TABLE

		26W	
SETTING	VOLTAGE	SYSTEM WATTS	LUMENS
100%	120-277VAC	26.45	3918.10
80%	120-277VAC	21.42	3374.27
60%	120-277VAC	15.50	2502.50
40%	120-277VAC	11.31	1882.00

## ELECTRICAL DATA

Number of Drivers	Driver Current (mA)	Nominal Power (W)	Input Voltage (V)	Current (Amps)
1	430	26	120	0.22
		26	208	0.13
		26	240	0.11
		26	277	0.09