

LED WALL PACK LIGHT - WPC SERIES

Introduction

- ◆ The WPC series is available in lumen packages from 8,190 to 14,040 lumens with a wide and even distribution. Since WPC occupies the same area as a typical metal halide glass wall pack, it can completely cover unsightly stains.
- ◆ The WPC offers this kind of lens, a high-quality polycarbonate lens which work with a high-efficiency light engine to provide superior illumination.
- ◆ Available with Photocell.

Features

Construction:

- ◆ Rugged die-casting aluminum housing with bronze powder coating for durability. Castings are sealed with integral gaskets to prevent the ingress of external contaminants. It has 4-6KV surge protection. Consult factory for Photocell surge ratings.

Electrical:

- ◆ The Input voltage is AC120-277V (50/60Hz). Electronic drivers ensure a system power factor >90%. The 0-10V dimming driver is standard.

Optics:

- ◆ The light engine configuration includes high-efficiency LEDs. 5000K color temperature (CCT) with a minimum CRI of 70.

Finish:

- ◆ Standard color is dark bronze.



PC lens

Product Selectable:



WATTAGE SELECTABLE



CCT

Compliances:

- ◆ cULus listed for wet locations, environment temperature ranging 113°F.
- ◆ DLC® (DesignLights Consortium) Qualified. Please refer to the DLC website for specific product qualifications at www.designlights.org.

Warranty:

- ◆ 5-years limited warranty.





Wattage Selectable - Dial in the desired lumens via the dial located in the fixture.



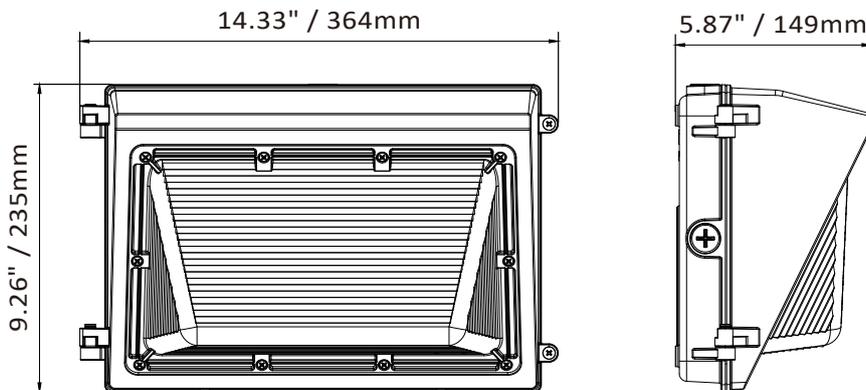
The geometry covers the footprint of a typical HID wall pack, covering any unsightly stains.

Parameters

Model #	Wattage	Lumens @50K	Input Voltage	CRI	CCT
XS-WPC-108W-50K-UV-P	(108/90/63)W	Max. 14040lm	AC120-277V	>70	5000K

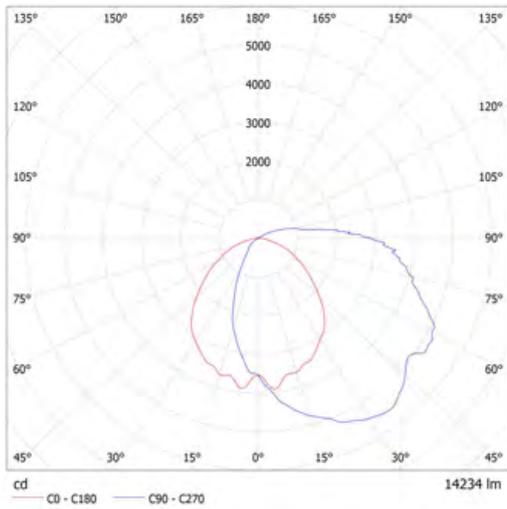
Dimension

unit: inch/mm



PC lens

Photometrics



Electrical Data

Voltage (V)	Model XS-WPC-108W-50K-UV-P Max. Current (A)
120V	0.90
208V	0.52
240V	0.45
277V	0.39