

# AREA LIGHT(MAL05)

## Specifications

### Construction:

- Rugged one-piece, die-cast aluminum housing secures the thermally conductive LED panel and electrical chamber
- Low profile, 3G vibration rated compact design minimizes wind load requirements.
- Housing is completely sealed against moisture and environmental contaminants.

### Optics:

- Available in IES Type III distribution
- Light engines are available in standard 4000K and 5000K (70 CRI) configurations.
- 14,100 Lumens replaces 250W metal halides
- Optics is precisely designed to shape the distribution, maximizing efficiency and application spacing.
- The optics can conform to dark sky requirement.
- For the ultimate level of spill light control, an optional house-side shield accessory can be field or factory installed.

### Electrical:

- Universal 120-277 VAC input voltage
- Standard with 0-10V dimming driver for 10% to 100% dimming capabilities.
- Wattage selectable (Option): 100%, 80%, 60%, 40%.
- THD: ≤20%
- Power Factor: ≥90%

### Installation:

- Suitable for mounting heights ranging from 26-50' in area lighting applications
- Round pole, square pole, slipfitter, wall mount and yoke are available.
- The design can be operated by one person to install the whole lamp

### Ambient Temperature:

- Ambient operating -40°F to 104°F.

### Small Size: 100W



### Finish:

- It's available in dark bronze, finish.

 Dark Bronze

### Lifespan:

- Estimated 100,000-hour LED lifespan based on IES LM-80 results and TM-21 calculations

### Certifications:

- DesignLights Consortium™ Qualified.
  - UL cUL wet location listed.
- Note: DesignLights Consortium™ Qualified and classified for DLC Premium (all lumen packages), refer to [www.designlights.org](http://www.designlights.org) for details.

### Note:

Actual performance may differ as a result of end-user environment and application. All values are design or typical values, measured under laboratory conditions at 77°F specifications subject to change without notice.



## Applications:

Auto dealerships, parking lots, walkways, roadways, campuses, facade lighting, grocery stores and other public areas.







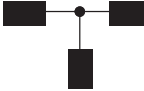
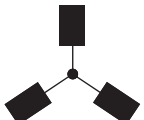
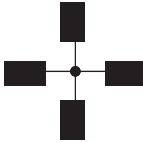
## PERFORMANCE DATA

SYSTEM WATTS	VOLTAGE	DIST.TYPE	4000K(70CRI)		5000K(70CRI)	
			LUMENS	LPW	LUMENS	LPW
100W	120-277V	3	14100lm	141 lm/W	14100lm	141 lm/W

## ELECTRICAL DATA

Number Of Drivers	Driver Current (mA)	Nominal Power (W)	INPUT VOLTAGE (V)	CURRENT (Amps)
1	850	100	120	0.83
		100	208	0.48
		100	240	0.42
		100	277	0.36

## EPA OF AREA LIGHT

Item							
	1	2 @90°	2 @120°	2@180°	3 @90°	3 @120°	4 @90°
100W	0.2751	0.5267	0.7321	0.6164	0.9577	0.9837	0.9577

## BUG

SYSTEM WATTS	VOLTAGE	DIST.TYPE	B	U	G
100W	120-277V	3	2	0	2

## MOUNTING

- Standard versatile mounting arm accommodates multiple drilling patterns as well as square and round poles
- Optional for cast aluminum slipfitter mounting adapter (Compatible with more MESTER mounting adaptors such as Tenon, suits for various application)

### Mounting Options



#### Arm Mount

(4"and 5"Square and Round poles) Standard versatile mounting arm is simple to install and can be used with existing poles for retrofit installations.



#### Slipfitter Mount

An optional cast aluminum mast arm adapter secures fixture head to nominal 2-3/8"O.D. horizontal steel tenon arm.



#### Wall Mount

Wall Mount is easy to install for direct wall mounting with 1/2" conduit wiring or standard J-box mounting



#### Yoke Mount

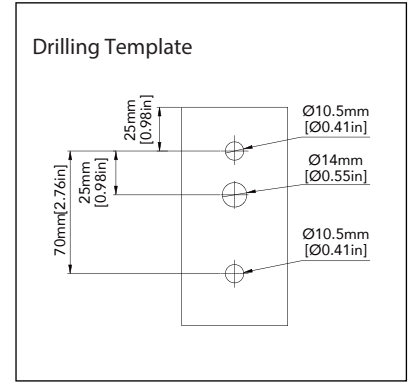
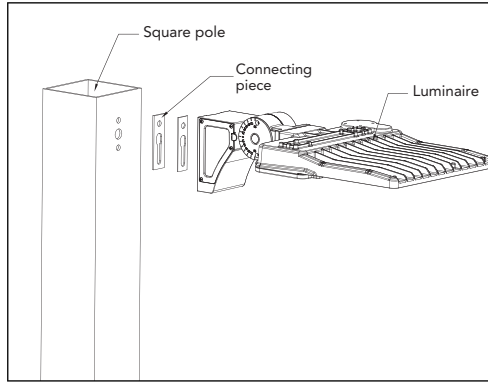
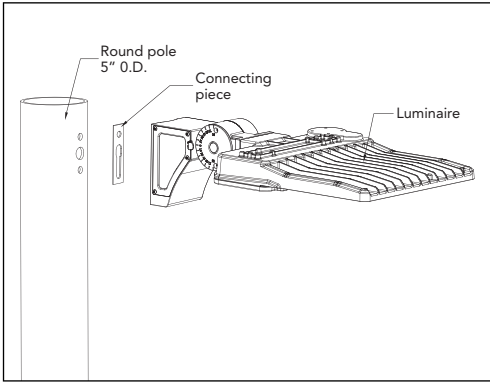
Die-cast aluminum trunion is easily adapted to many surfaces and allows easy fixture aiming angles.



#### Adjustable Arm Mount

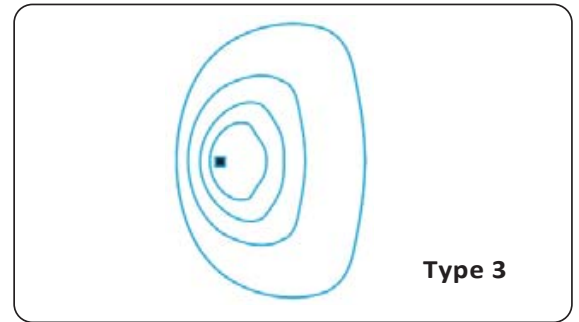
Standard versatile mounting arm is simple to install and can be used with existing poles for retrofit installations.

## Mounting Dimensions



## PHOTOMETRICS

Type 3 optics produce an asymmetrical pattern that directs the majority of the light forward and equally on both sides of the luminaire. In a back-to-back configuration, it creates a rectangular pattern which can extend pole spacings.



## DIMENSIONS

unit: mm/inch



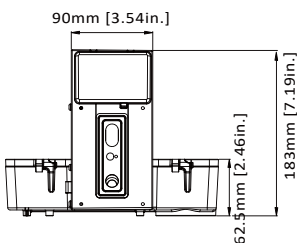
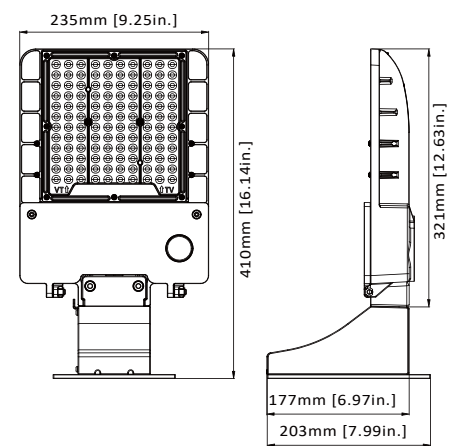
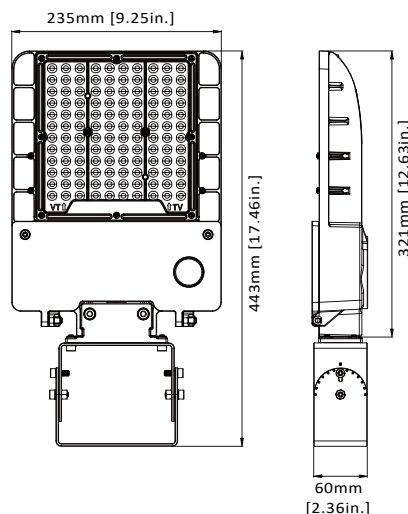
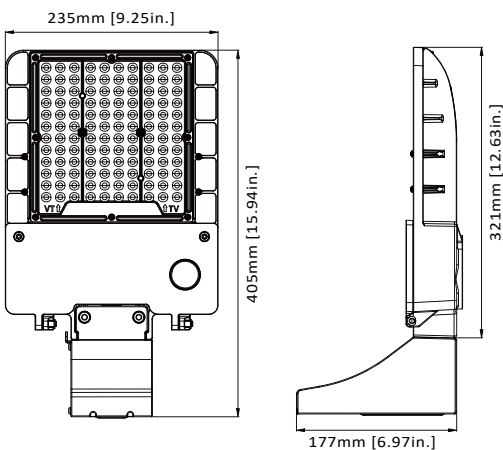
Pole Mount



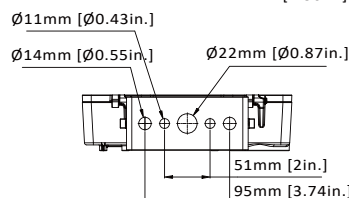
Yoke Mount



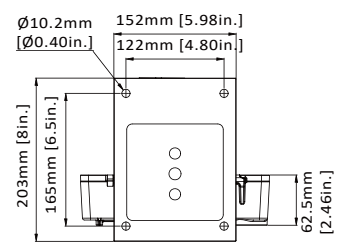
Wall Mount



Net Weight: 7.25 lb



Net Weight: 5.71 lb



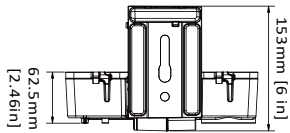
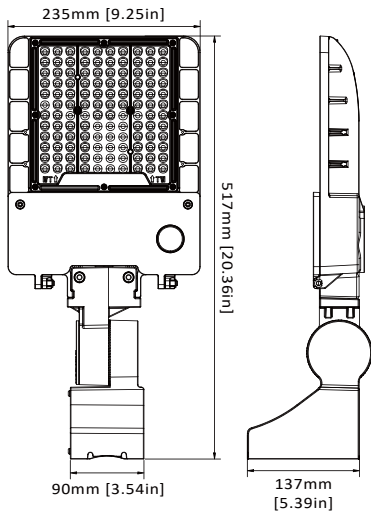
Net Weight: 7.16 lb

# DIMENSIONS *cont.*

unit: mm/inch



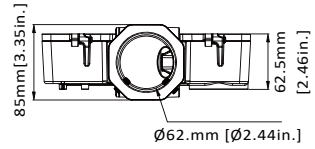
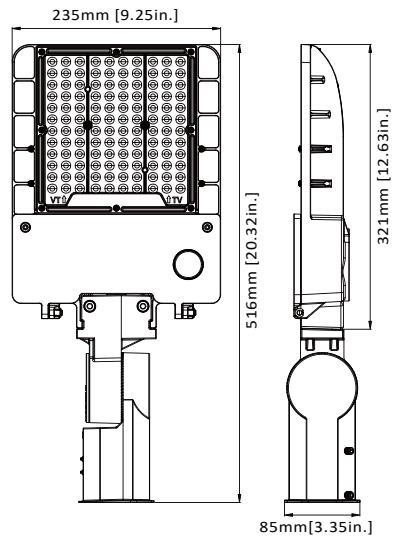
**Adjustable Square Mount**



Net Weight: 6.08 lb



**Slipfitter Mount**



Net Weight: 6.07 lb