

AREA LIGHT(MAL05)

Specifications

Construction:

- Rugged one-piece, die-cast aluminum housing secures the thermally conductive LED panel and electrical chamber
- Low profile, 3G vibration rated compact design minimizes wind load requirements.
- Housing is completely sealed against moisture and environmental contaminants.

Optics:

- Available in IES Type III distribution
- Light engines are available in standard 4000K and 5000K (70 CRI) configurations.
- 14,100-25,000 Lumens replaces up to 500W metal halides
- Optics is precisely designed to shape the distribution, maximizing efficiency and application spacing.
- The optics can conform to dark sky requirement.
- For the ultimate level of spill light control, an optional house-side shield accessory can be field or factory installed.

Electrical:

- Universal 120-277 VAC input voltage
- Standard with 0-10V dimming driver for 10% to 100% dimming capabilities.
- Wattage selectable (Option): 100%, 80%, 60%, 40%.
- THD: $\leq 20\%$
- Power Factor: $\geq 90\%$

Installation:

- Suitable for mounting heights ranging from 26-50' in area lighting applications
- Round pole, square pole, slipfitter, wall mount and yoke are available.
- The design can be operated by one person to install the whole lamp

Ambient Temperature:

- Ambient operating -40°F to 104°F .



Small Size: 100W



Medium Size: 150W/180W

Finish:

- It's available in dark bronze, finish.



Lifespan:

- Estimated 100,000-hour LED lifespan based on IES LM-80 results and TM-21 calculations

Certifications:

- DesignLights Consortium™ Qualified.
 - UL cUL wet location listed.
- Note: DesignLights Consortium™ Qualified and classified for DLC Premium (all lumen packages), refer to www.designlights.org for details.

Note:

Actual performance may differ as a result of end-user environment and application. All values are design or typical values, measured under laboratory conditions at 77°F specifications subject to change without notice.



Applications:

Auto dealerships, parking lots, walkways, roadways, campuses, facade lighting, grocery stores and other public areas.






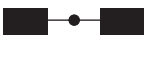



PERFORMANCE DATA

SYSTEM WATTS	VOLTAGE	DIST.TYPE	4000K(70CRI)		5000K(70CRI)	
			LUMENS	LPW	LUMENS	LPW
100W	120-277V	3	14100lm	141 lm/W	14100lm	141 lm/W
150W	120-277V	3	21000lm	140 lm/W	21000lm	140 lm/W
180W	120-277V	3	25000lm	139 lm/W	25000lm	139 lm/W

ELECTRICAL DATA

Number Of Drivers	Driver Current (mA)	Nominal Power (W)	INPUT VOLTAGE (V)	CURRENT (Amps)
1	850	100	120	0.83
		100	208	0.48
		100	240	0.42
		100	277	0.36
1	1200	150	120	1.25
		150	208	0.72
		150	240	0.63
		150	277	0.54
1	960	180	120	1.50
		180	208	0.87
		180	240	0.75
		180	277	0.65

EPA OF AREA LIGHT

Item							
	1	2 @90°	2 @120°	2@180°	3 @90°	3 @120°	4 @90°
100W	0.2751	0.5267	0.7321	0.6164	0.9577	0.9837	0.9577
150W/180W	0.3111	0.6343	0.6464	0.6222	0.9335	0.9696	0.9335

BUG

SYSTEM WATTS	VOLTAGE	DIST.TYPE	B	U	G
100W	120-277V	3	2	0	2
150W	120-277V	3	3	0	3
180W	120-277V	3	3	0	3

MOUNTING

- Standard versatile mounting arm accommodates multiple drilling patterns as well as square and round poles
- Optional for cast aluminum slipfitter mounting adapter (Compatible with more MESTER mounting adaptors such as Tenon, suits for various application.

Mounting Options



Arm Mount

(4" and 5" Square and Round poles) Standard versatile mounting arm is simple to install and can be used with existing poles for retrofit installations.



Slipfitter Mount

An optional cast aluminum mast arm adapter secures fixture head to nominal 2-3/8" O.D. horizontal steel tenon arm.



Wall Mount

Wall Mount is easy to install for direct wall mounting with 1/2" conduit wiring or standard J-box mounting.



Yoke Mount

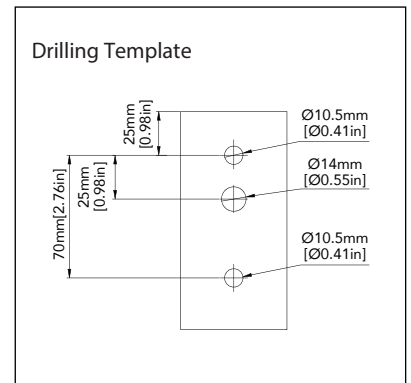
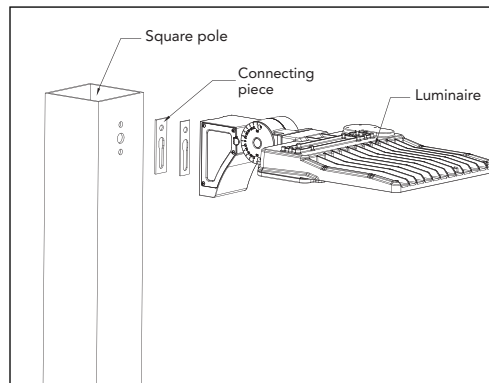
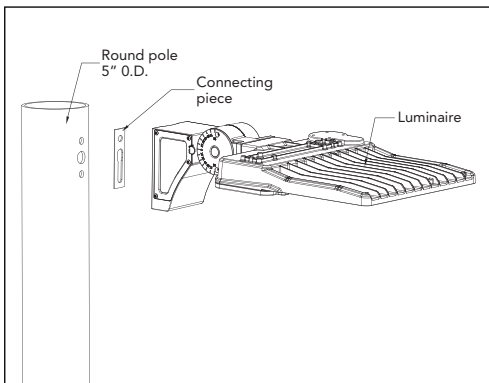
Die-cast aluminum trunnion is easily adapted to many surfaces and allows easy fixture aiming angles.



Adjustable Arm Mount

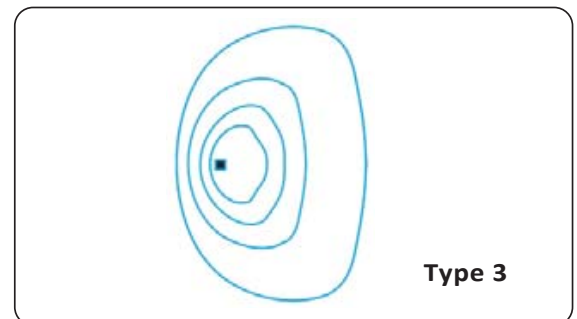
Standard versatile mounting arm is simple to install and can be used with existing poles for retrofit installations.

Mounting Dimensions



PHOTOMETRICS

Type 3 optics produce an asymmetrical pattern that directs the majority of the light forward and equally on both sides of the luminaire. In a back-to-back configuration, it creates a rectangular pattern which can extend pole spacings.



DIMENSIONS

unit: mm/inch



100W Pole Mount

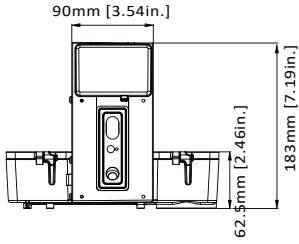
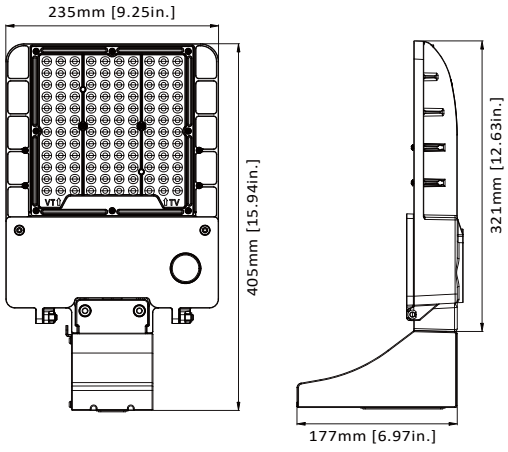


100W Yoke Mount



100W Wall Mount

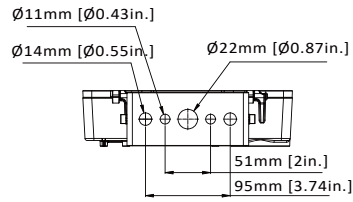
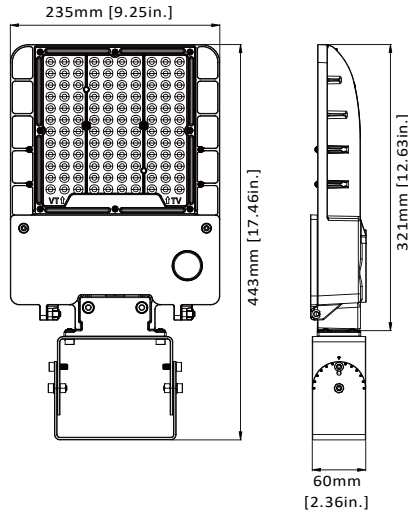
100W Pole Mount



Net Weight: 7.25 lb

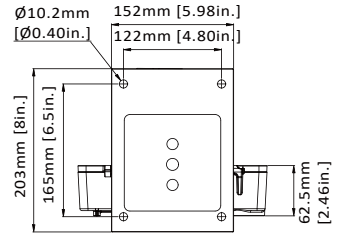
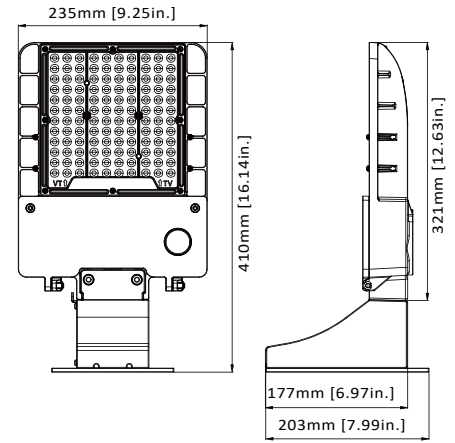


100W Yoke Mount

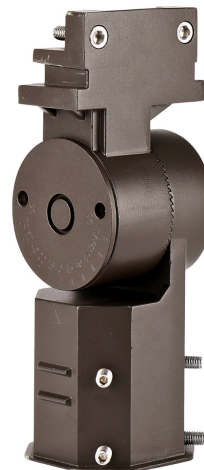


Net Weight: 5.71 lb

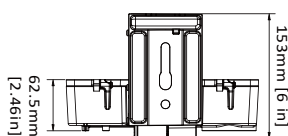
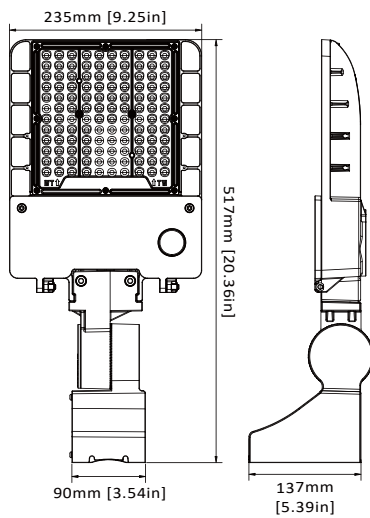
100W Wall Mount



Net Weight: 7.16 lb

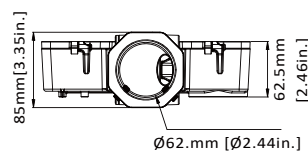
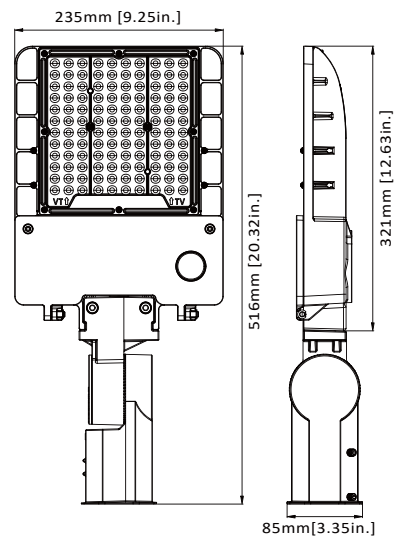


100W Adjustable Square Mount



Net Weight: 6.08 lb

100W Slipfitter Mount



Net Weight: 6.07 lb

DIMENSIONS *cont.*
unit: mm/inch



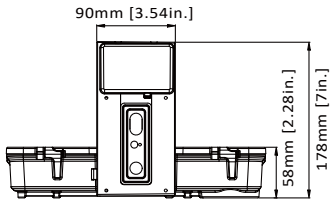
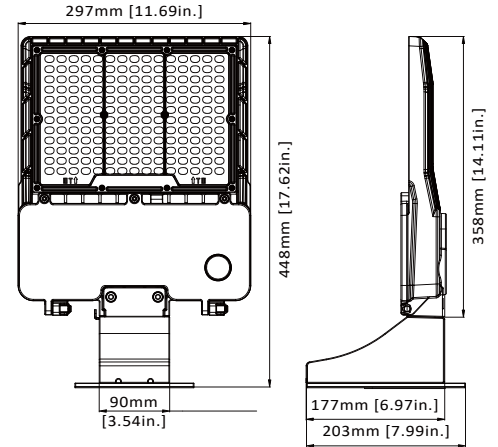
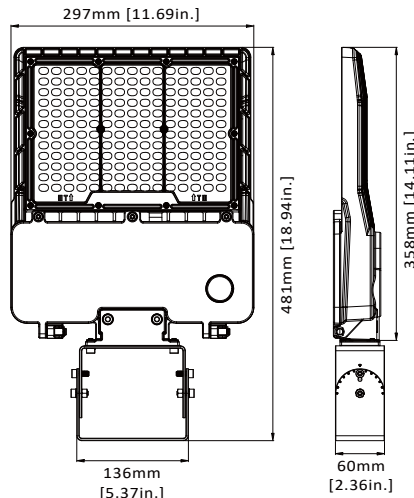
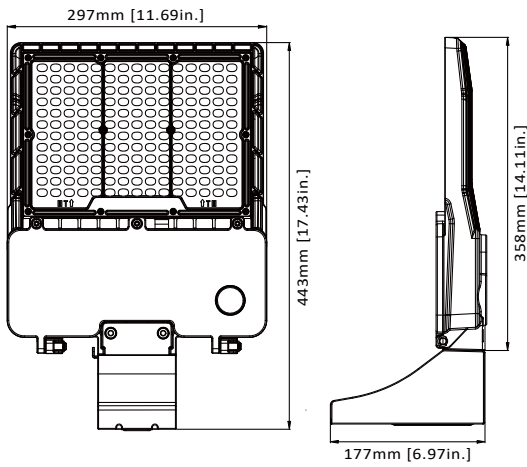
150W/180W Pole Mount



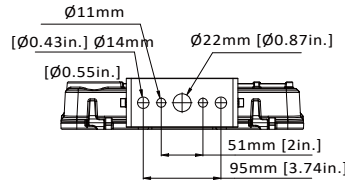
150W/180W Yoke Mount



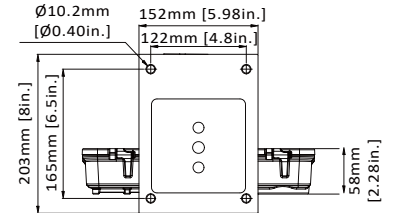
150W/180W Wall Mount



Net Weight:
150W: 7.91 lb
180W: 8.13 lb



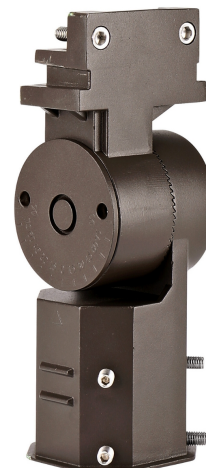
Net Weight:
150W: 6.01 lb
180W: 6.11 lb



Net Weight:
150W: 7.46 lb
180W: 7.56 lb

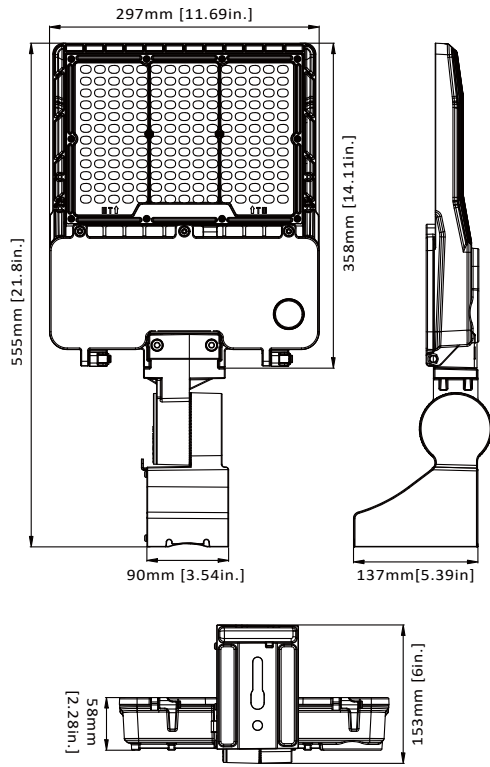


150W/180W Adjustable Square Mount



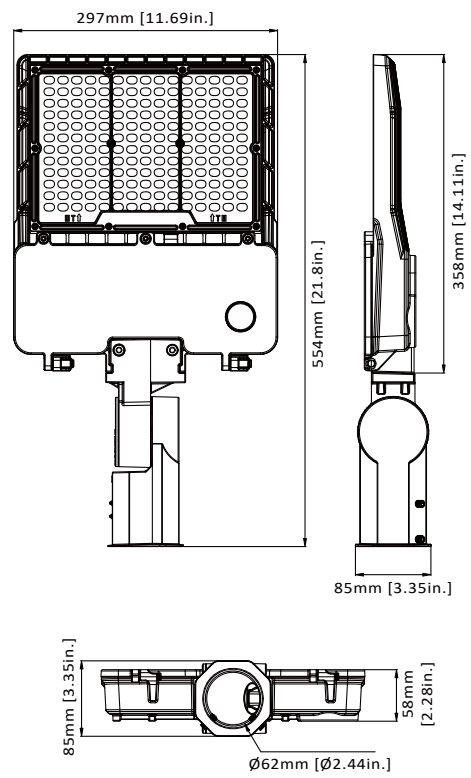
150W/180W Slipfitter Mount

150W/180W Adjustable Square Mount



Net Weight:
 150W: 6.38 lb
 180W: 6.48 lb

150W/180W Slipfitter Mount



Net Weight:
 150W: 6.37 lb
 180W: 6.47 lb