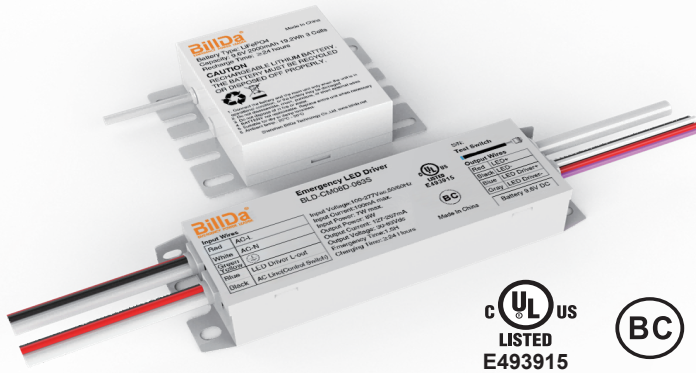


# MS-BLD-CM08D-063S

Constant Power Emergency LED Driver  
Input AC 100-277V Output DC 30-63V



## PRODUCT ADVANTAGES

- Constant Power Performance**  
 Constant wattage delivery maintains illumination for the full emergency runtime with no degradation.
- Listed for Field or Factory Installation**  
 UL Listed for both field or factory installation in United States and Canada.
- Self-Testing**  
 The unit will automatically conduct monthly 30 seconds and annual 90 minutes test.

## SPECIFICATIONS

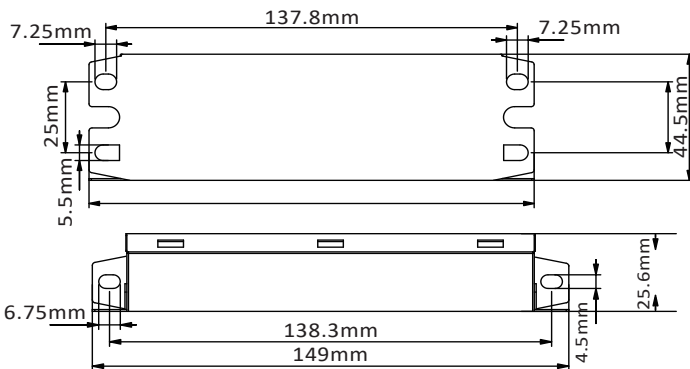
Input Voltage	100-277V AC, 50/60Hz
Input Current(Max.)	100mA
Input Power(Max.)	7W
Output Voltage	30-63V DC
Output Current	127mA~267mA
Output Power	8W
Warranty	5 Years
Battery Type	LiFePO4
Emergency Time	90 minutes
Recharge Time	≥24 hours
Ambient Temp.	68°F - 122°F

## FEATURES

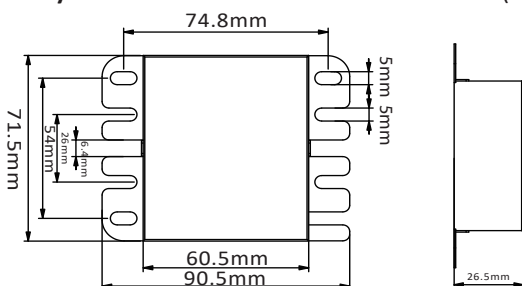
- UL Listed for field or factory installation.
- Circuitry enclosed in white painted steel case.
- Long life high temperature recyclable LiFePO4 battery.
- Battery connection activated automatically when AC
- Power is on, no need to manual connect battery during installation.
- Includes 2-in 1 IP65 test switch and charge indicator light.
- 5-Year Warranty
- Meets or exceeds all NEC, IBC, and Life Safety Code
- Emergency Lighting Requirements
- Certified to CEC Title 20
- Suitable for use in Dry and Damp Location
- RoHS Compliant

## DIMENSIONS

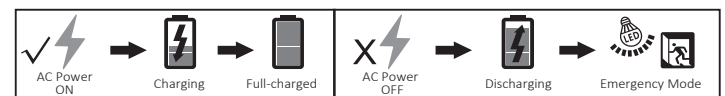
**Emergency Driver Size:**  
LxWxH=149x44.5x25.6mm(5.87"x1.75"x1.00")  
**Mounting center:** 137.8mm (5.43")



**Battery Pack Size:** LxWxH=90.5x74.8x26.5mm(3.56"x2.94"x1.04")



## OPERATION



### AC Operation:

AC power is present. The AC driver operates the LED load as designed. The **GREEN** LED light flashes indicates that it is charging. The **GREEN** LED light on indicates that it is full charged.

### Emergency Operation:

When AC power fails, the emergency driver automatically switches to emergency mode, operating the LEDs for a minimum of 90 minutes. When AC power is restored, the emergency driver automatically returns to the charging mode.

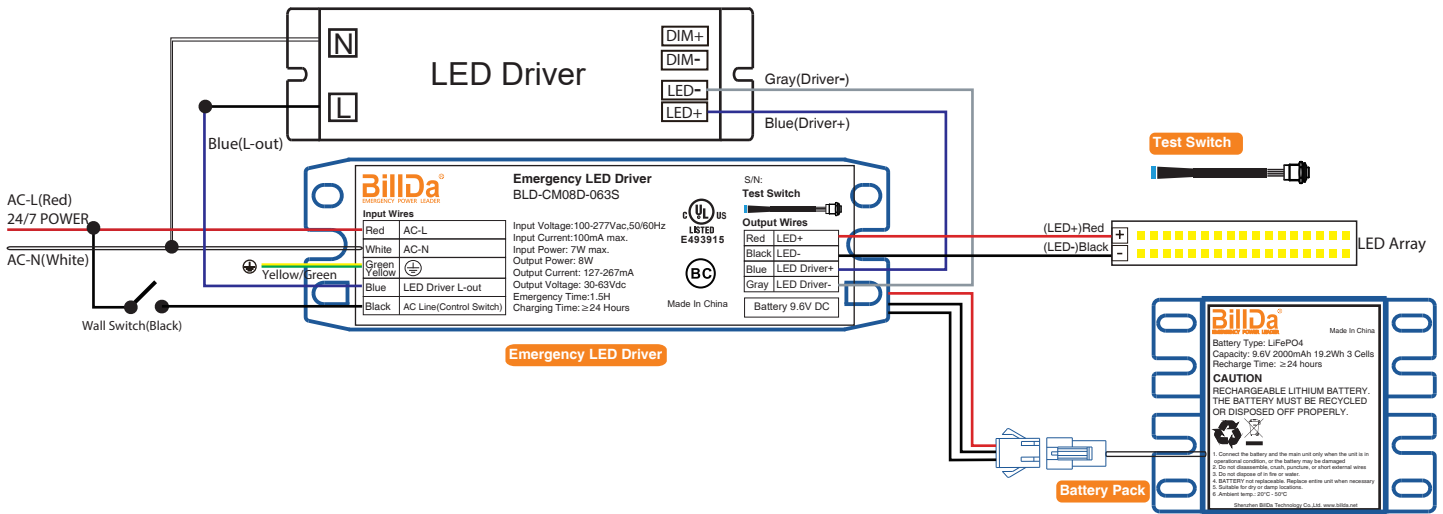
This unit contains a control circuit that automatically performs a 30-second discharge test once a month and a full 90-minute discharge test once a year. During routine testing, the emergency driver simulates an AC power failure causing the unit to automatically switch to emergency mode. The unit will monitor the operation of the LED load, battery voltage, LED load connections and emergency duration. At the end of this test, if the emergency system functions properly, the unit will return to normal operation. Should the unit detect any problems, the indicator light will be yellow.

# MS-BLD-CM08D-063S

Constant Power Emergency LED Driver  
Input AC 100-277V Output DC 30-63V



## WIRING DIAGRAM



\* Note: During Emergency Mode, press test switch twice to cut off the emergency output and enter Shipping Mode.

Indicator Light Introduction	Test Switch Introduction
<ul style="list-style-type: none"> <li>① Green/Flashing: Charging</li> <li>② Green/ON: Full-charged</li> <li>③ Red/ON: Discharging(EM mode)</li> <li>④ Red/Flashing: Low battery</li> <li>⑤ Yellow: Error</li> </ul>	<p>Press the test switch to confirm whether emergency function is normal</p> <p>Press the test switch Green turns to Red Emergency function is normal</p>

## IMPORTANT SAFEGUARDS

When using electrical equipment, basic safety precautions should always be followed including the following:

### READ AND FOLLOW ALL SAFETY INSTRUCTIONS.

- Risk of fire or electric shock. Luminaire wiring and electrical parts may be damaged when drilling for installation of LED Emergency Backup. Check for enclosed wiring and components.
- Risk of fire or electric shock. This LED Emergency Backup installation requires knowledge of luminaire electrical systems. If not qualified, do not attempt installation. Contact a qualified electrician.
- Before installing, make certain the AC power to the fixture is off.
- The electrical rating of this product is 100-277Vac. Installer must confirm that there is 100-277Vac to the fixture before installation.
- To prevent electrical shock only mate unit connector after installation is complete and before the AC power to the fixture is back on.
- Do not use in outdoor.
- This LED Emergency Backup unit requires an unswitched AC power source of 100-277Vac, 50/60Hz. The AC driver must be on the same branch circuit as the LED Emergency Backup unit.
- Do not let power supply cords touch hot surfaces.
- Do not mount near gas or electric heaters.
- Do not connect battery pack connector until all other wiring is complete and AC power is on.
- The emergency LED driver is for use with grounded, UL listed LED luminaires, shall be enclosed by the LED luminaire and bonded to the grounding of LED luminaire.
- Verify that all replacement lamp types marked on the installed luminaire are also identified as suitable for use with this emergency battery pack.
- The battery pack is fixed by screws and the indicator light is installed on the surface of luminaires. Equipment should be mounted in locations and at heights where it is not be subjected to tampering by unauthorized personnel.
- The use of accessory equipment is not recommended by the manufacturer and may cause an unsafe condition.
- Do not use this equipment for other than its intended use.
- Use with grounded, UL Listed, dry or damp location rated fixtures.