



Item#: **83148**

## LED FLOOD LIGHT

ARCHITECTURAL FLOOD AND SPOT  
LUMINAIRES - WIDE DISTRIBUTION ONLY

### FEATURES

- Corrosion resistant die cast housing, with a powder paint coat finish.
- Compact design that separates the LED module from the heat sink to ensure efficient cooling.
- Fixture angle can be easily adjusted.


### APPLICATION

Ideal for wall washing, landscaping lighting, outdoor advertising and parking lots.

### ELECTRICAL

Wattage	70W
Voltage	120-277V
Power Factor	0.9
Total Harmonic Distortion (THD)	15

### LIGHTING PERFORMANCE

Lumens	9100
Lumens Per Watt (LPW)	130
Color Temperature (CCT)	4000K
Color Rendering (CRI)	70
R9 (Red Value)	-14
R13 (Skin Tones)	69
Beam Angle	7H x 6V
Light Distribution	Type I, Very Short
BUG Rating (Backlight, Uplight, and Glare)	B3 - U1 - G0
Dimmable Lighting Control	

### ENVIRONMENT

Operating Temperature	-40° ~ 104°F
Suitable Location	<b>WET</b>
Ingress Protection Rating	IP65

### LIFESPAN

Average Life (Hours)	50,000
Warranty (Years)	<b>5</b>

### COMPONENTS

LED Light Source	LUXEON 3030 2D
Driver	WP-HHG-075U

### CONSTRUCTION

Housing	Die Cast Aluminum
Lens	PC
Base / Power Supply	Hard Wired
Finish	Bronze

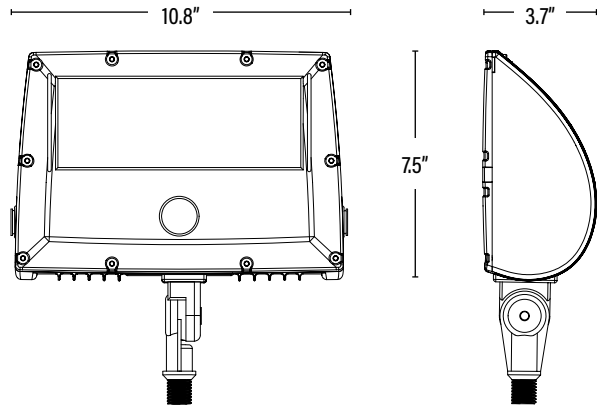
### QUALIFICATIONS



Visit [www.designlights.org/search](http://www.designlights.org/search) to confirm qualification. • Published lumens on LED products are approximate and may vary slightly. • Specifications are subject to change without notice.

Item#: **83148**  
**LED FLOOD LIGHT**

<b>DIMENSIONS</b> (Inches)	
Length	10.8"
Width	3.7"
Height	7.5"
Net Weight (Lbs)	--



<b>PACKAGING</b>		<b>UPC</b>	<b>DIMENSIONS</b> (LxWxH)	<b>GROSS WEIGHT</b> (Lbs)
Master Carton	1	811768020915	134" x 13.4" x 6.3"	8.4
Country of Origin	China			
HS Tariff	9405.10.6020			

<b>ORDERING</b>			<b>CASE</b>
<b>ITEM#</b>	<b>DESCRIPTION</b>		
83148	LED FLOOD LIGHT/70W/40K/120-277V/BRZ · 1/2IN KNUCKLE - DLC®		1

ITEM INFORMATION