



Item#: **61338**

## LED FLOOD LIGHT

ARCHITECTURAL FLOOD AND SPOT LUMINAIRES

### FEATURES

- High pressure die casting housing, anti-static powder painting.
- High thermal conductive material and high efficiency cooling system.
- Fixture angle can be easily adjusted.

### APPLICATION

Ideal for wall washing, landscaping lighting, outdoor advertising and parking lots.

### ELECTRICAL

Wattage	20W
Voltage	120-277V
Current	0.154A
Power Factor	0.9
Total Harmonic Distortion (THD)	11.3

### LIGHTING PERFORMANCE

Lumens	2250
Lumens Per Watt (LPW)	112
Color Temperature (CCT)	4000K
Color Rendering (CRI)	70
R9 (Red Value)	-31
R13 (Skin Tones)	N/A
Beam Angle	80°
Light Distribution	Type IV, Very Short
BUG Rating (Backlight, Uplight, and Glare)	B0 - U3 - G3

Dimmable Lighting Control



### ENVIRONMENT

Operating Temperature	-13° ~ 104°F
Suitable Location	<b>WET</b>
Ingress Protection Rating	IP65

### LIFESPAN

Average Life (Hours)	50,000
Warranty (Years)	<b>5</b>

### COMPONENTS

LED Light Source	Citizen CLU028
Driver	Longbright PFU28S

### CONSTRUCTION

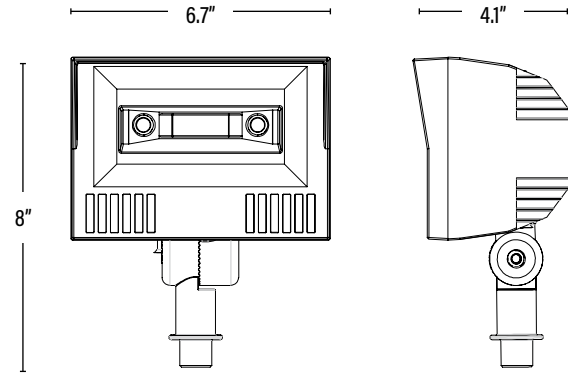
Housing	Aluminum
Lens	Tempered Glass
Base / Power Supply	Hard Wired
Finish	Black

### QUALIFICATIONS



*Published lumens on LED products are approximate and may vary slightly. - Specifications are subject to change without notice.*

Item#: **61338**  
**LED FLOOD LIGHT**



**DIMENSIONS** (Inches)

Length	8"
Width	6.7"
Height	4.1"
Net Weight (Lbs)	--

**PACKAGING**

		UPC	DIMENSIONS (LxWxH)	GROSS WEIGHT (Lbs)
Master Carton	8	10811768029151	14.6" x 14.2" x 9.8"	45.4
Individual Box	1	811768029154	--	5.7
Country of Origin	China			
HS Tariff	9405.10.6020			

**ORDERING**

ITEM#	DESCRIPTION	CASE
PRE-61338	LED SMALL FLOOD LIGHT/20W/40K/120-277V - 5.0	8

**REPLACEMENT PARTS**

922338	REPLACEMENT MOUNTING KNUCKLE FOR LED FLOOD LIGHT	1
04-S82UFP	REPLACEMENT 28W LED DRIVER	1