



Item#: **43148**

## LED FLOOD LIGHT

ARCHITECTURAL FLOOD AND SPOT  
LUMINAIRES - WIDE DISTRIBUTION ONLY

### FEATURES

- Corrosion resistant die cast housing, with a powder paint coat finish.
- Compact design that separates the LED module from the heat sink to ensure efficient cooling.
- Fixture angle can be easily adjusted.


### APPLICATION

Ideal for wall washing, landscaping lighting, outdoor advertising and parking lots.

### ELECTRICAL

Wattage	30W
Voltage	120-277V
Power Factor	0.9
Total Harmonic Distortion (THD)	15

### LIGHTING PERFORMANCE

Lumens	3750
Lumens Per Watt (LPW)	125
Color Temperature (CCT)	4000K
Color Rendering (CRI)	70
R9 (Red Value)	-15
R13 (Skin Tones)	71
Beam Angle	7H x 6V
Light Distribution	Type I, Very Short
BUG Rating (Backlight, Uplight, and Glare)	B2 - U1 - G0
Dimmable Lighting Control	

### ENVIRONMENT

Operating Temperature	-40° ~ 104°F
Suitable Location	<b>WET</b>
Ingress Protection Rating	IP65

### LIFESPAN

Average Life (Hours)	50,000
Warranty (Years)	<b>5</b>

### COMPONENTS

LED Light Source	LUXEON 3030 2D
Driver	WP-UL-30-40

### CONSTRUCTION

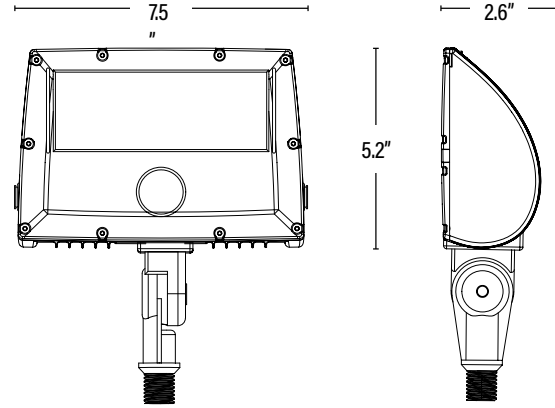
Housing	Die Cast Aluminum
Lens	PC
Base / Power Supply	Hard Wired
Finish	Bronze

### QUALIFICATIONS



Visit [www.designlights.org/search](http://www.designlights.org/search) to confirm qualification. • Published lumens on LED products are approximate and may vary slightly. • Specifications are subject to change without notice.

Item#: **43148**  
**LED FLOOD LIGHT**



**DIMENSIONS** (Inches)

Length	7.5"
Width	2.6"
Height	5.2"
Weight (Lbs)	--

**PACKAGING**

		UPC	DIMENSIONS (LxWxH)	GROSS WEIGHT (Lbs)
Master Carton	6	10811768020059	21.3" x 16.1" x 11.8"	26.5
Individual Box	1	811768020052	9.1" x 6.7" x 3.1"	5.7
Country of Origin	China			
HS Tariff	9405.10.6020			

**ORDERING**

ITEM#	DESCRIPTION	CASE
43148	LED FLOOD LIGHT/30W/40K/120-277V/BRZ - 1/2IN KNUCKLE - DLC®	6