



Item#: **16348**
LED SPEC-SELECT™ FLOOD LIGHT

FEATURES

- Adjustable wattage and color temperature.
- Integrated photocell with On/Off switch.
- Corrosion resistant die cast housing, with a powder paint coat finish.
- Compact design.
- Fixture angle can be easily adjusted.

APPLICATION

Ideal for wall washing, landscaping lighting, outdoor advertising and parking lots.

ELECTRICAL

Wattage	35W / 50W / 60W
Voltage	120-277V
Power Factor	0.9
Total Harmonic Distortion (THD)	20

LIGHTING PERFORMANCE

Lumens	5075 / 7250 / 8700
Lumens Per Watt (LPW)	145
Color Temperature (CCT)	3000K / 4000K / 5000K
Color Rendering (CRI)	83
R9 (Red Value)	5
R13 (Skin Tones)	--
Beam Angle	7H x 7V
Light Distribution	Type VS
BUG Rating (Backlight, Uplight, and Glare)	B3 - Ux - G1
Dimmable Lighting Control	<i>Dimmable</i> 0-10V, Range 10% - 100%

ENVIRONMENT

Operating Temperature	-4° ~ 104°F
Suitable Location	WET
Ingress Protection Rating	IP65

LIFESPAN

Average Life (Hours)	50,000
Warranty (Years)	5

COMPONENTS

LED Light Source	--
Driver	Premium Electronics with 6kV/4kV Surge Protection

CONSTRUCTION

Housing	Die Cast Aluminum
Lens	PC
Base / Power Supply	Hard Wired
Finish	Bronze

QUALIFICATIONS

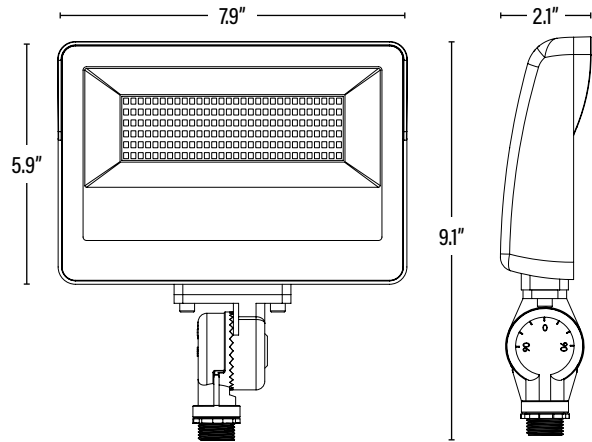


Visit www.designlights.org/search to confirm qualification. • Published lumens on LED products are approximate and may vary slightly. • Specifications are subject to change without notice.

Item#: **16348**
LED SPEC-SELECT™ FLOOD LIGHT

DIMENSIONS (Inches)

Length	7.9"
Width	2.1"
Height	9.1"
Weight (Lbs)	--



PACKAGING

		UPC	DIMENSIONS (LxWxH)	GROSS WEIGHT (Lbs)
Master Carton	6	10811768025955	16.3" x 8.1" x 10.6"	--
Individual Box	1	811768025958	8" x 2.6" x 10.4"	--
Country of Origin	China			
HS Tariff	9405.11.6020			

ITEM INFORMATION