

Circuit Breaker

Installation Instructions

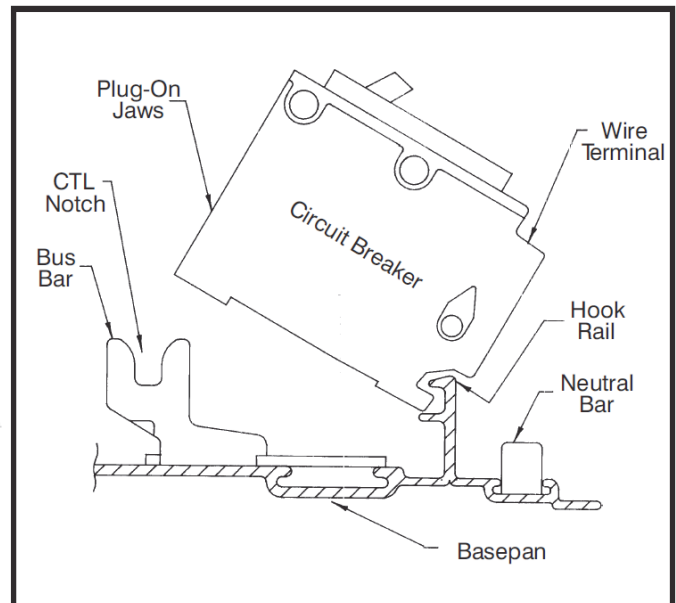


FIG. 1

Siemens and Murray Breaker Types:

Plug-in - QP, QPH, HQP, HQPH, QT, MP-T, MP-HT, MP-MT, MH-T. Bolt-on - BL, BLH, HBL.

For breaker types: BQ, BQH, HBQ, BQXD and BQLD use only recommended mounting accessories.

Note: For installation by a qualified person, as defined by all local electrical codes and/or the National Electrical Code®

INSTALLATION PROCEDURE:

1. Turn off and lockout the power to the panelboard/load center in which the device is to be installed.
2. Remove the panelboard/load center cover.
3. Move all circuit breaker toggle handles to the "OFF" position.
4. Engage the back of the device with the mounting tabs in the panelboard/load center (Fig. 1).
5. For plug-in devices (fig. 1), push down firmly on the front of the device to engage the load center line terminal stabs.
6. For bolt-on devices, utilize the screws provided with the panelboard to attach the breaker line terminals to the panelboard bus (fig. 2). Torque the screws per panelboard specifications.
7. Connect the circuit load wire to the circuit breaker load terminals. Torque per breaker markings.
8. Replace the panelboard/load center cover and restore panelboard power.
9. Turn the installed circuit breaker(s) "ON".

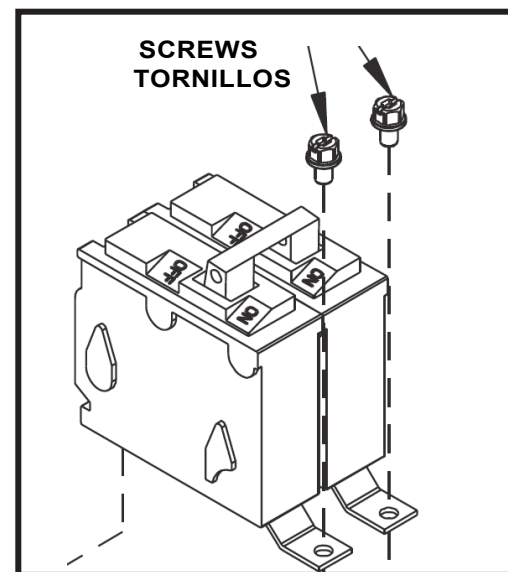


FIG. 2