



MW MCCT Troffer Series Installation Guide

SAFETY INSTRUCTIONS: Read instructions carefully before attempting to install fixture.

- All wiring should be performed by a qualified electrician.
- Disconnect power before installing or servicing. This fixture must be wired in accordance with the National Electrical Code and applicable local codes and ordinances.
- **CAUTION:** Do NOT use this product for other than intended use. To prevent early product failure, luminaire should only be used in operating environments ranging from -4°F to 122°F.
- All wiring is recommended to be capped with UL approved wire connectors.
- **CAUTION:** Wear gloves and safety goggles always when removing luminaire from carton, installing, servicing or performing maintenance.
- Avoid direct eye exposure to the light source while it is on.
- Account for small parts and dispose packing material as these may be hazardous to children.

CAUTION: Risk of fire

- **WARNING:** Make certain power is OFF before installing or maintaining fixture. No user serviceable parts inside.
- **WARNING:** Turn off electrical power at fuse or circuit breaker box before wiring the luminaire to the power supply.
- **WARNING:** Verify that the voltage is correct by comparing it with the luminaire label information.
- **WARNING:** Keep combustible and other materials that can burn away from luminaire.
- **WARNING:** Minimum 194°F supply conductors.

CLEANING & MAINTENANCE:

CAUTION: Be sure the fixture temperature is cool enough to touch. Do NOT clean or maintain while the fixture is energized.

1. Clean glass lens with non-abrasive cleaning solution.
2. Do NOT open fixture to clean the LED. Do NOT touch the LED.

Note: These instructions do not cover all details or variation in equipment, nor do they provide for every possible situation during installation, operation or maintenance.

TROUBLESHOOTING:

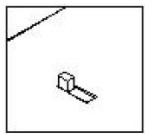
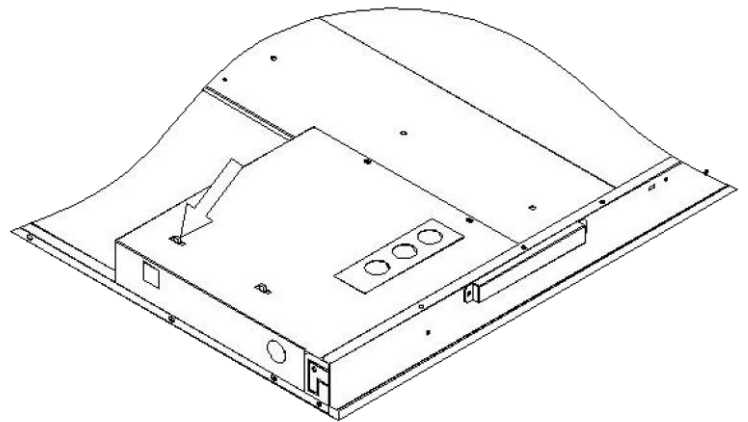
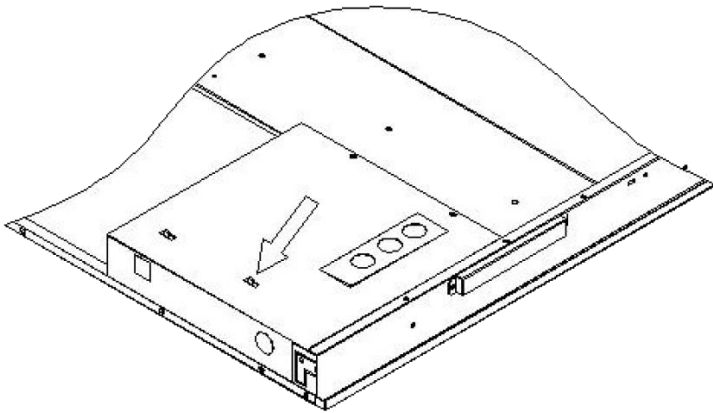
1. Check that the line voltage at fixture is correct. Refer to wiring directions.
2. Be sure the fixture is grounded properly.

OPERATING:

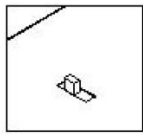
- Voltage Input: 120-277V 50/60Hz
- Operating Temperature: -4°F to 122°F

Multi Wattage Multi CCT Troffer Series Installation

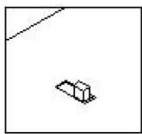
WATTAGE & COLOR TEMPERATURE SELECTION:



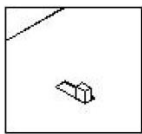
1x4: 15W
2x2: 15W
2x4: 24W



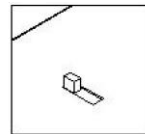
1x4: 19W
2x2: 19W
2x4: 29W



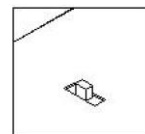
1x4: 24W
2x2: 24W
2x4: 32W



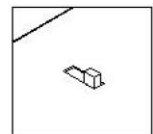
1x4: 29W
2x2: 29W
2x4: 39W



3,500K



4,000K



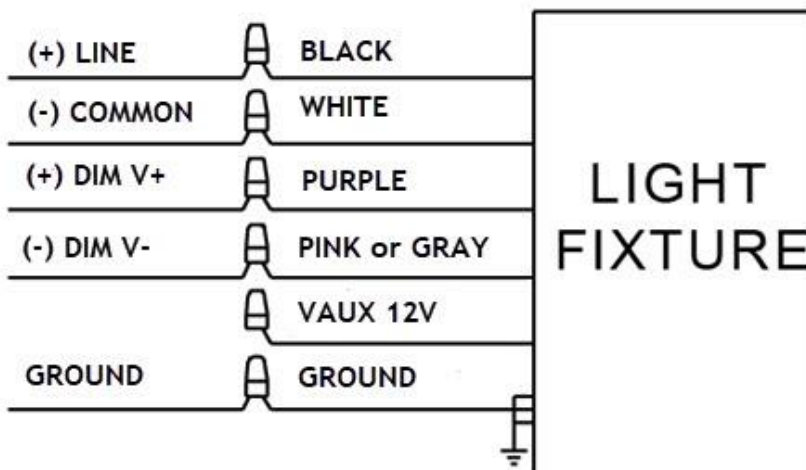
5,000K

INSTALLATION FOR EMERGENCY BATTERY TO FIXTURE:

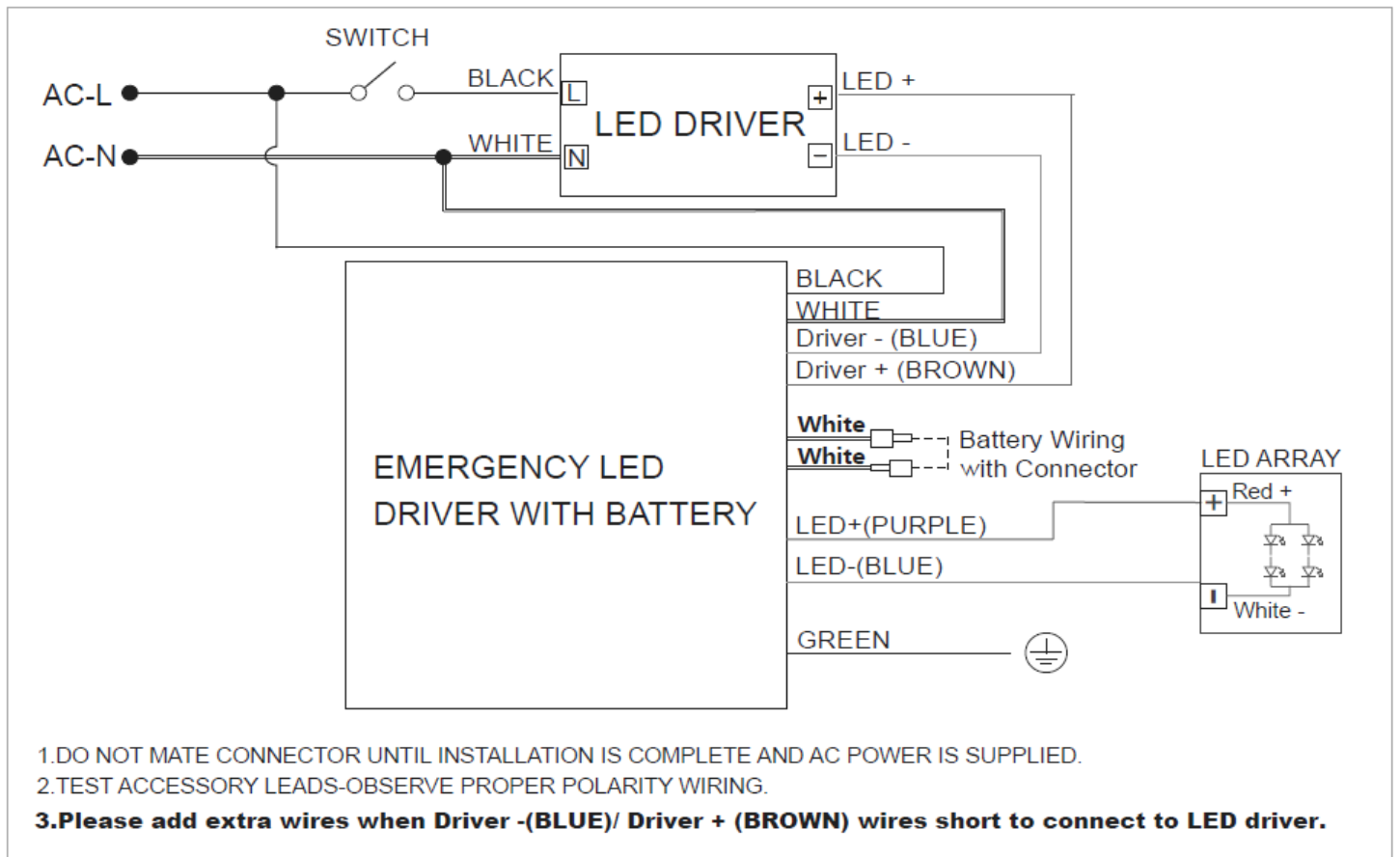
1. Open the driver box.
2. Connect the **WHITE** connector between the battery and emergency driver.
3. Seal the driver box.
4. Test the battery switch after the wiring is complete. (see wiring instructions below)

WARNING: ALL units must be individually connected to the AC supply.

5. Connect the **BLACK** fixture lead to the **LINE** supply lead.
6. Connect the **WHITE** fixture lead to the **COMMON** supply lead.
7. Connect the **GROUND** wire from fixture to **SUPPLY** ground.



Multi Wattage Multi CCT Troffer Series Installation Guide

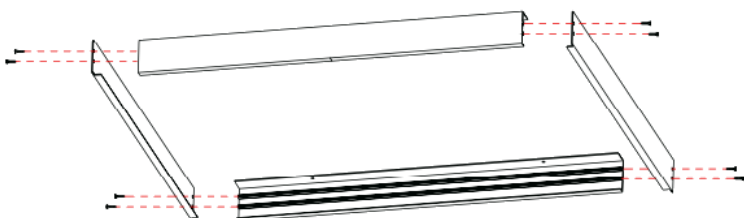


Multi Wattage Multi CCT Troffer Series Installation

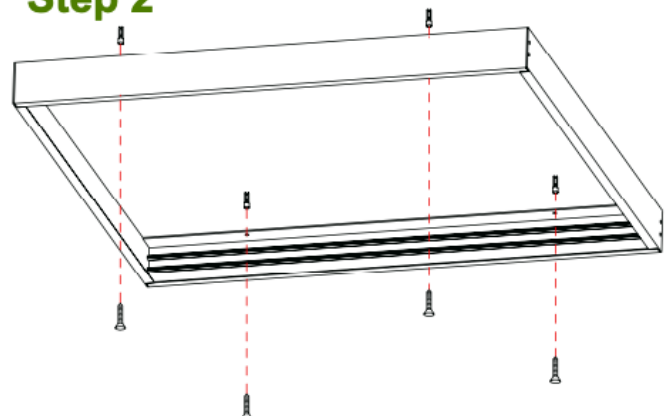
SURFACE MOUNTING GUIDE:

1. Assemble the 4 pieces of frame together and connect them with screws.
2. Place the frame onto the wall with screws.
3. Dismantle 1 piece of the frame and slide the LED fixture into the frame.
4. Re-attach the 1 piece removed in Step 3.

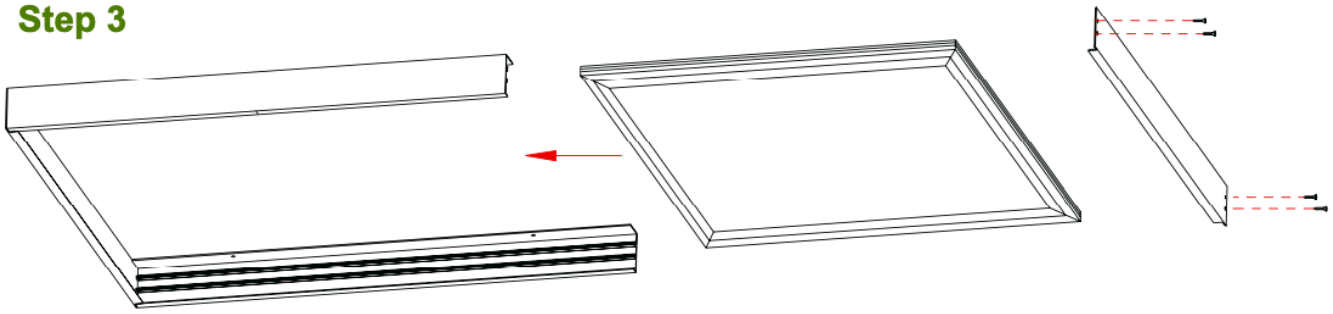
Step 1



Step 2



Step 3



Step 4

