

# Installation Guide

## SAFETY INSTRUCTIONS: Read instructions carefully before attempting to install fixture

- All wiring should be performed by a qualified electrician.
- Disconnect power before installing or servicing. This fixture must be wired in accordance with the National Electrical Code and applicable local codes and ordinances.

## CAUTION: Risk of fire

- **WARNING:** Make certain power is OFF before installing or maintaining fixture. No user serviceable parts inside.
- **WARNING:** Do NOT handle energized fixture when hands are wet, when standing on wet or damp surfaces or in water.
- **WARNING:** Fixture to be independently supported to building structure.

## CLEANING & MAINTENANCE:

**CAUTION:** Be sure the fixture temperature is cool enough to touch. Do NOT clean or maintain while the fixture is energized.

1. Clean lens with non-abrasive cleaning solution.
2. Do NOT open fixture to clean the LED. Do NOT touch the LED.

**Note:** These instructions do not cover all details or variation in equipment, nor do they provide for every possible situation during installation, operation or maintenance.

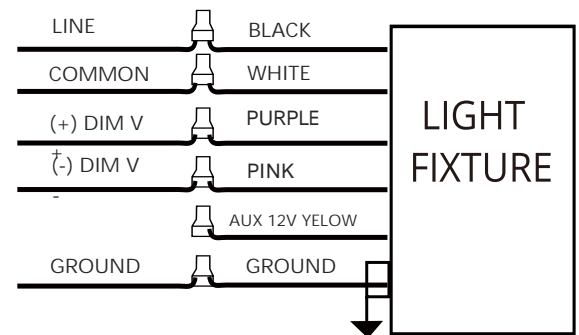
## TROUBLESHOOTING:

1. Check that the line voltage at fixture is correct. Refer to wiring directions.
2. Check that the fixture is grounded properly.

## 0-10V DIMMABLE WIRING:

Universal voltage driver permits operation at 120V through 277V, 50/60Hz.

1. Connect the BLACK fixture lead to the (+) LINE supply lead.
2. Connect the WHITE fixture lead to the (-) COMMON supply lead.
3. Connect the GROUND wire from fixture to the supply ground.  
Do NOT connect the GROUND of the dimming fixture to the output.
4. Connect the VIOLET (PURPLE) fixture lead to the (V+) DIM lead.
5. Connect the PINK fixture lead to the (V-) DIM lead.

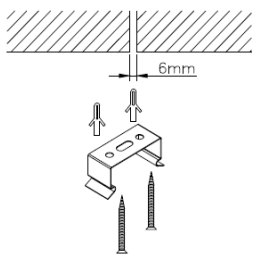


## INSTALLATION OPTIONS:

**CAUTION:** Turn off electrical power at fuse or circuit breaker box before wiring fixture to the power supply.

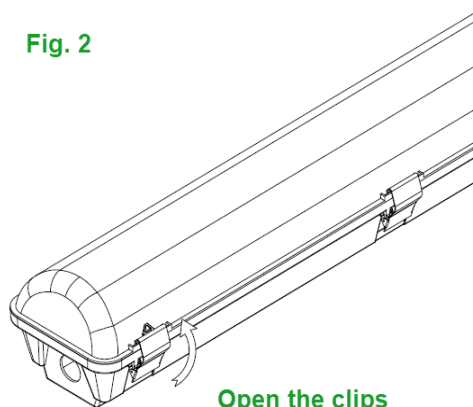
### 1. SURFACE MOUNT

Fig. 1



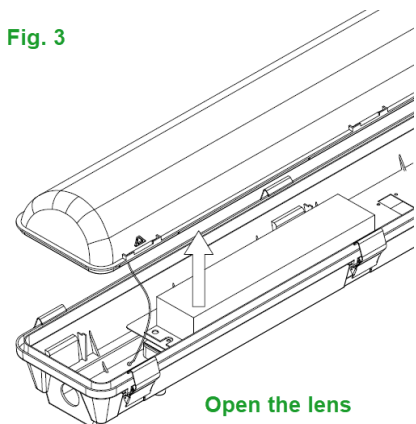
Install the mounting brackets

Fig. 2



Open the clips

Fig. 3



Open the lens

Fig. 4

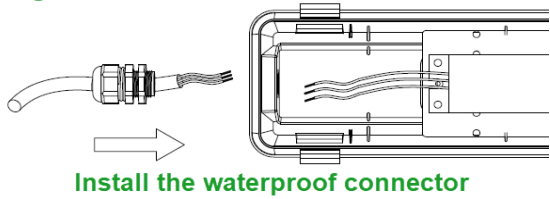


Fig. 5

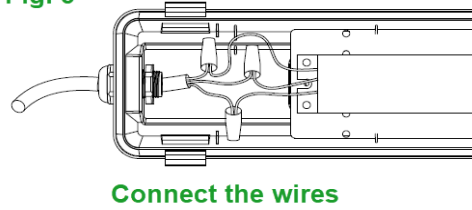


Fig. 6

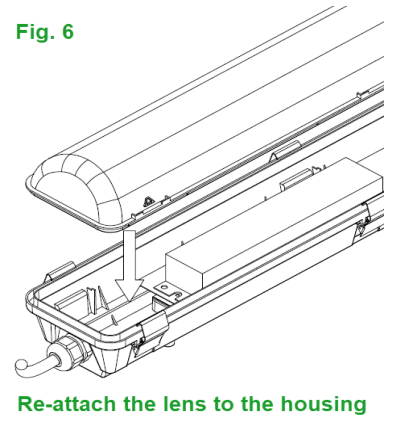


Fig. 7

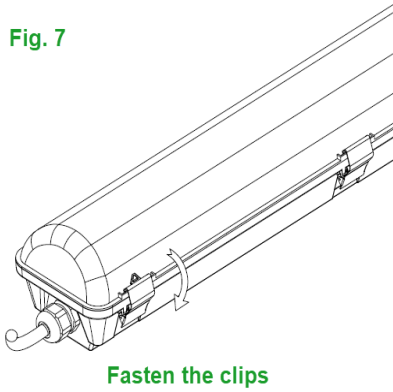
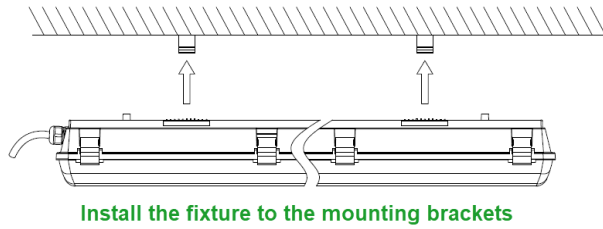


Fig. 8



## 2. VAPOR TIGHT HANGING KIT

Fig. 1

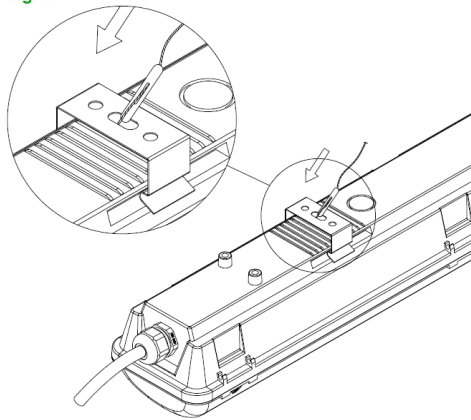
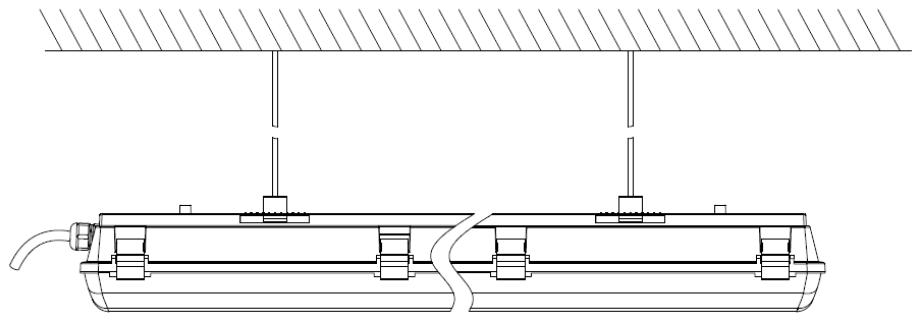


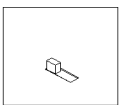
Fig. 2



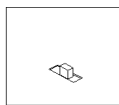
## SCHEMATIC OF WATTAGE AND CCT ADJUSTMENT

### Schematic of Wattage adjustment ( 3 set position )

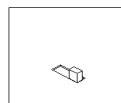
1.Set slip switch to left position



2.Set slip switch to 2nd position ( from left to right )



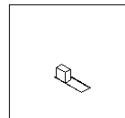
3.Set slip switch to 3rd position ( from left to right )



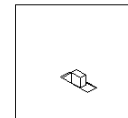
See Wattage adjustment Label

### Schematic of CCT adjustment ( 3 set position )

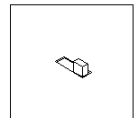
1.When the slip switch is set to left position, it is 3500K



2.When the slip switch is set to centre position, it is 4000K



3.When the slip switch is set to right position, it is 5000K



See CCT Label