

LED FLOOD LIGHT

Installation Guide

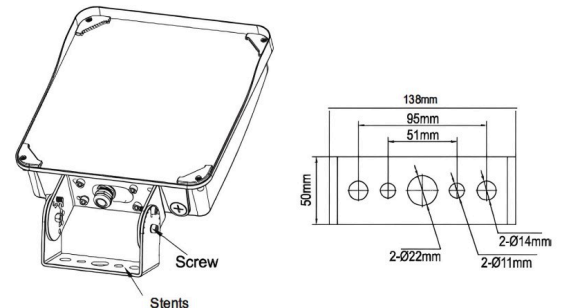
⚠ WARNING - READ ALL INSTRUCTIONS BEFORE ATTEMPTING INSTALLATION.

- To prevent personal injury or product damage only licensed electricians should install.
- To avoid electric shock or component damage disconnect power before attempting installation or servicing.
- This product must be installed in accordance with the national electric code (NEC) and all applicable federal, state and local electric codes and safety standards.
- Disconnect product and allow cooling prior to servicing.
- Any alteration or modification of this product is expressly forbidden as it may cause serious personal injury, death, property damage and/or product malfunction.
- To prevent product malfunction and/or electrical shock this product must be properly grounded.
- LIMIT RANGE OF ADJUSTMENT TO.
- Suitable for operation in ambient temperatures ranging from - 40°F + 104°F.
- This product must be installed in accordance with the applicable installation code by a person familiar with the construction and operation of the product and the hazards involved.
- Min 167°F. supply conductors.
- Suitable for mounting within 1.2 m (4 ft) of the ground
- This product is not available for several special environments, such as places with corrosive gas liquids or high pressure water vapor.

INSTALLATION

Yoke Mounting

1. Connect the wires to L / N / GND
2. Mount fixture to surface using the hole pattern provided on the trunnion bracket.
3. Loosen center bolts and set screw.
4. Rotate fixture to desired aiming position and tighten center bolts.
5. Tighten set screw.
6. Refer to wiring diagrams for power connection.



TROUBLESHOOTING

Turn off power before continuing.

1. Light does not come ON.
 - A. Check if circuit breaker tripped.
 - B. Confirm wall switch is ON.
 - C. Check that if the wiring to the unit is loose.
 - D. Check that the line voltage at the fixture is correct.
 - E. Confirm wiring is properly secured.

If light still does not work after checking, contact customer service.